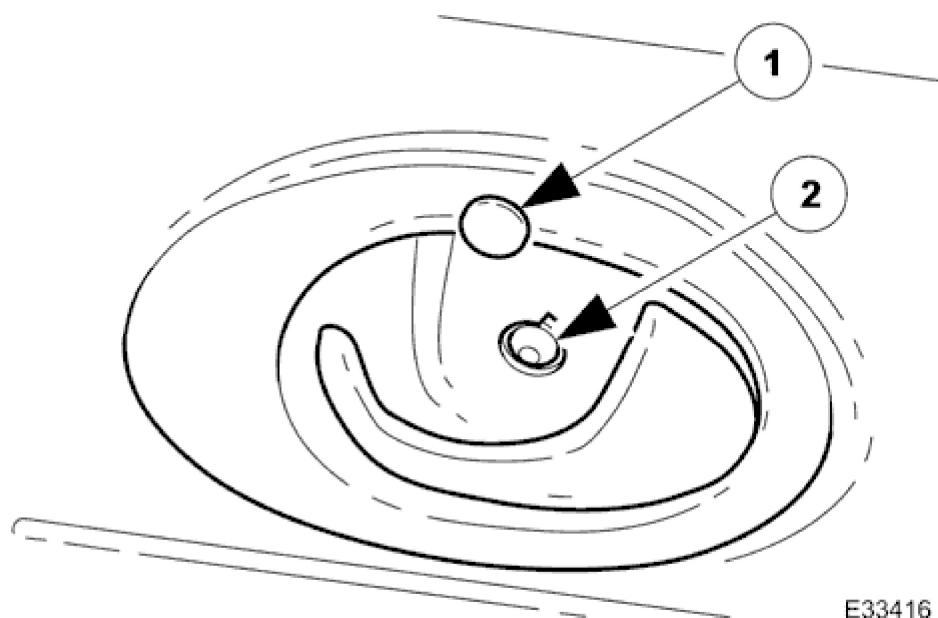


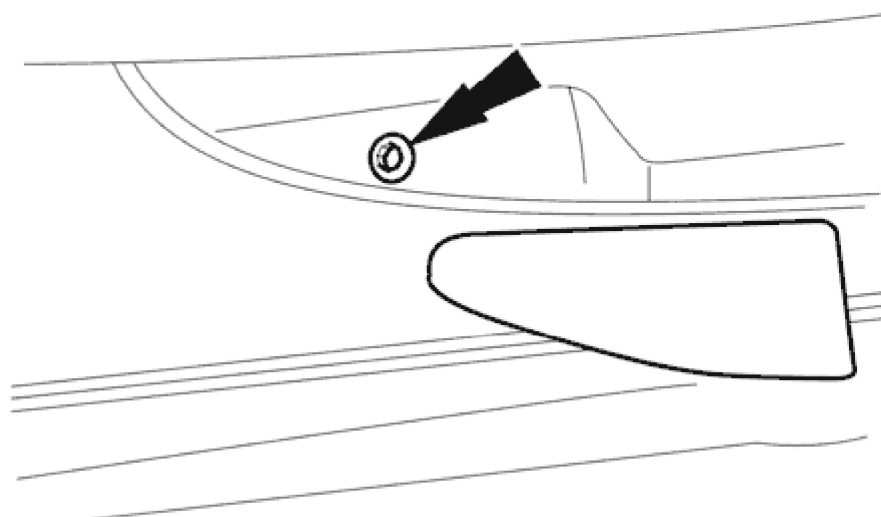
Door Trim Panel 76.34.01

Removal



1. Remove door escutcheon.

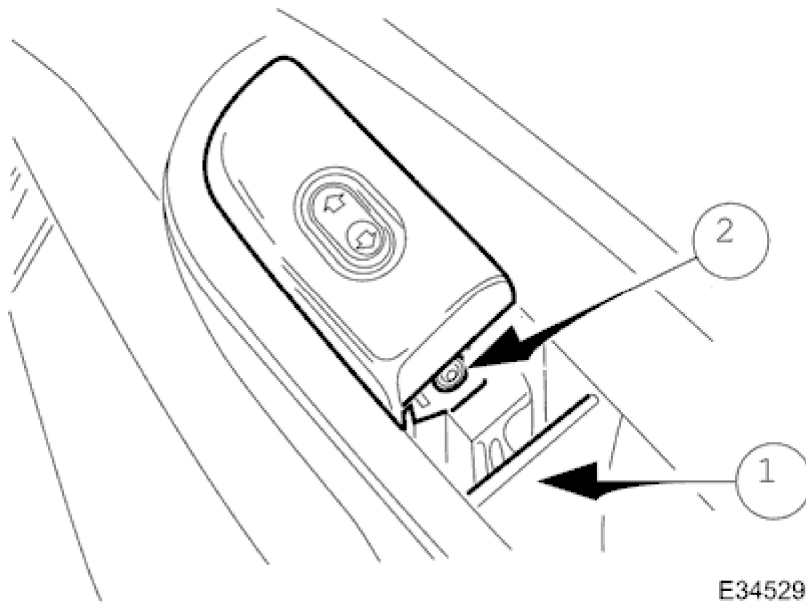
1. Holding door handle in the open position, remove the escutcheon securing screw cover.
2. Slacken and remove the escutcheon securing screw, remove escutcheon from door casing and return door handle to closed position.



E36080

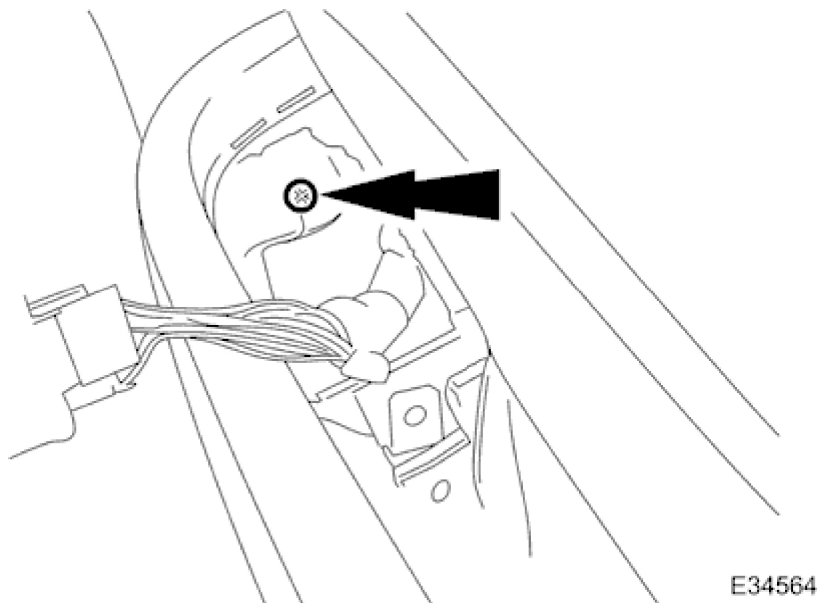
2. Remove trim mat from rear of door pocket and slacken and remove the securing screw.

1998 XK RANGE - Interior Trim and Ornamentation - 501-05



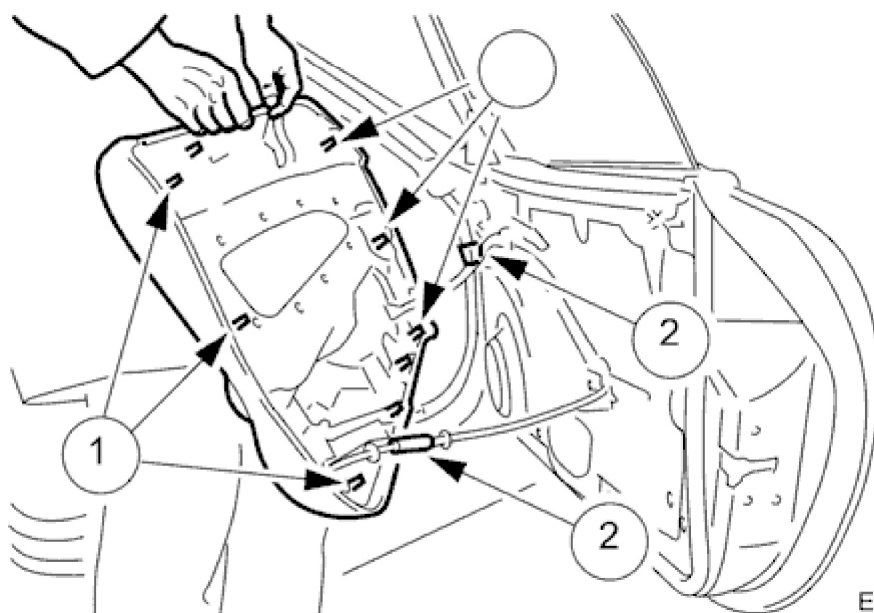
3. Position door switch pack for access.

1. Using a suitable plastic hook, release plastic stud and remove trim from front of door pocket.
2. Slacken and remove screw securing switch pack to door casing and position switch pack for access.



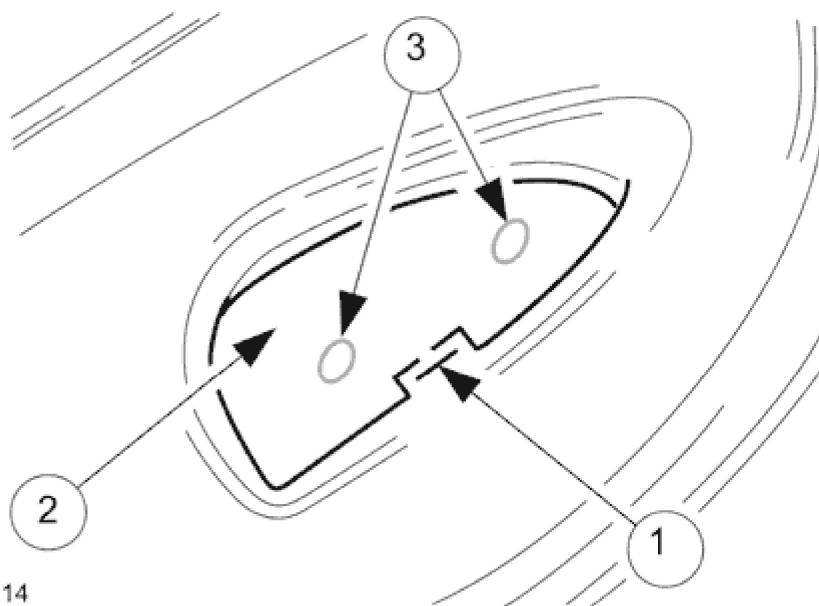
4. Slacken and remove screw securing casing to door bracket.

1998 XK RANGE - Interior Trim and Ornamentation - 501-05

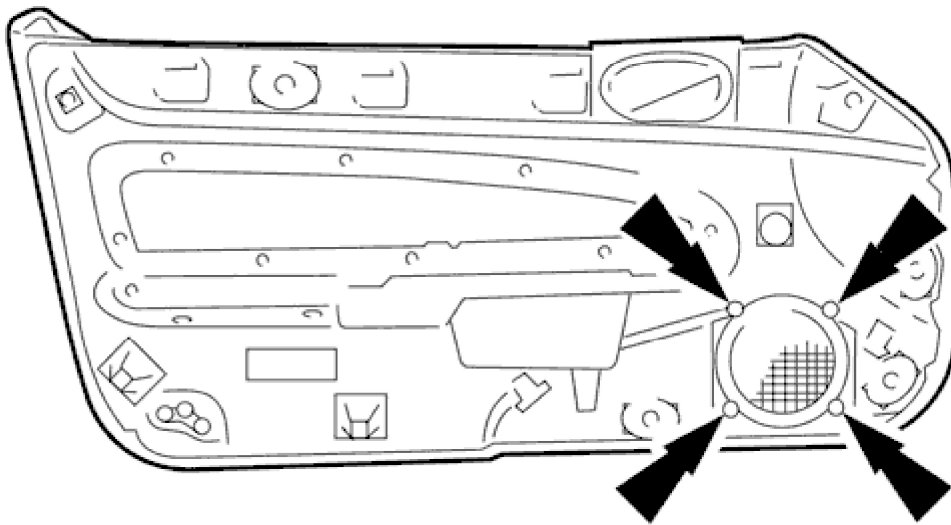


5. Remove door casing for access to multiplugs.
 1. Release eight studs securing the casing to the door.
 2. Position the casing for access and disconnect the door switch pack and puddle lamp multiplugs.

6. Remove door casing from vehicle and detach switch pack.

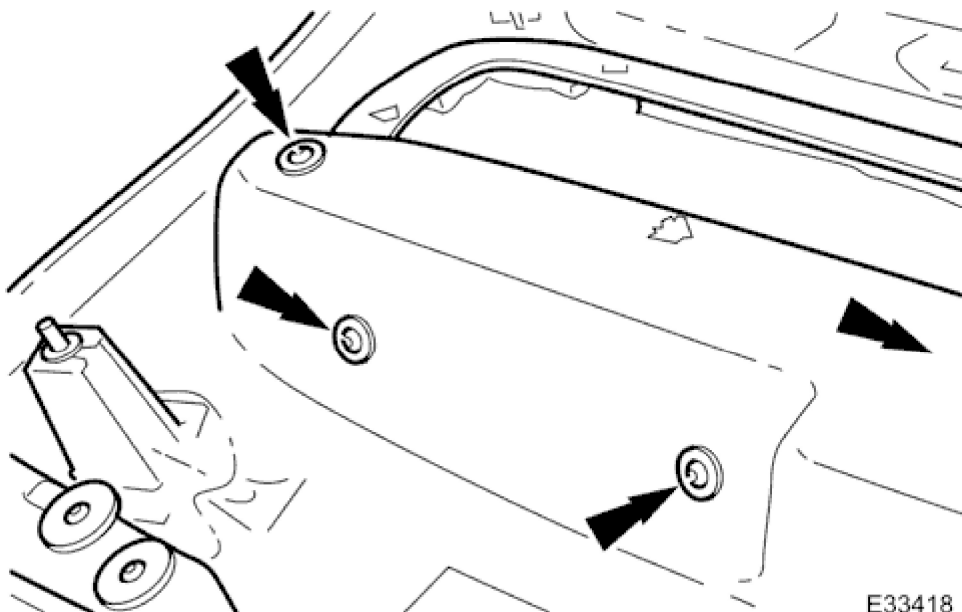


7. Remove puddle lamp lens.
 1. Move puddle lamp lens securing tab downwards.
 2. Slide lens downwards to release it from the lamp assembly.
 3. Slacken and remove two screws securing the puddle lamp assembly to the casing and remove puddle lamp from casing.



E33417

8. Slacken and remove the door speaker cover securing screws from lower face of trim pad and remove cover from casing.



E33418

9. Slacken and remove four screws securing armrest to door casing and remove armrest from casing.

10. Remove securing studs from door casing.

Installation

1. Fit new securing studs to casing.
2. Position armrest on casing and fit and tighten the four securing screws.
3. Position speaker cover on casing and fit and tighten securing screws.

1998 XK RANGE - Interior Trim and Ornamentation - 501-05

4. Position and align puddle lamp assembly on casing and fit and tighten two securing screws.
5. Fit lens to puddle light assembly.
6. Position but do not secure switch pack on casing.
7. Position casing at door and connect switch pack and puddle lamp multiplugs.
8. Align casing to door and press and fully seat securing studs into door locations.
9. Fit and tighten casing securing screw at front of switch pack location.
10. Align switch pack to casing and fit and tighten securing screw at rear.
11. Fit trim to front of door pocket and fully seat plastic fastener.
12. Fit and tighten casing securing screw to rear of door pocket.
13. Fit trim mat to rear of door pocket.
14. Holding door handle in open position, fit escutcheon to casing.
15. Fit and tighten securing screw and fit securing screw cover.
16. Return door handle to closed position.