



2002 XK RANGE - Front Disc Brake - 206-03


Brake Pads Vehicles With: Brembo Brakes 70.40.02

Removal

1.  **WARNING:**
BRAKE DUST, IF INHALED CAN DAMAGE YOUR HEALTH. ALWAYS REMOVE BRAKE DUST USING A VACUUM BRUSH. DO NOT USE A COMPRESSED-AIR LINE TO DISPERSE BRAKE DUST INTO THE ATMOSPHERE.

 **CAUTION:**
Brake pads must always be replaced in axle sets.

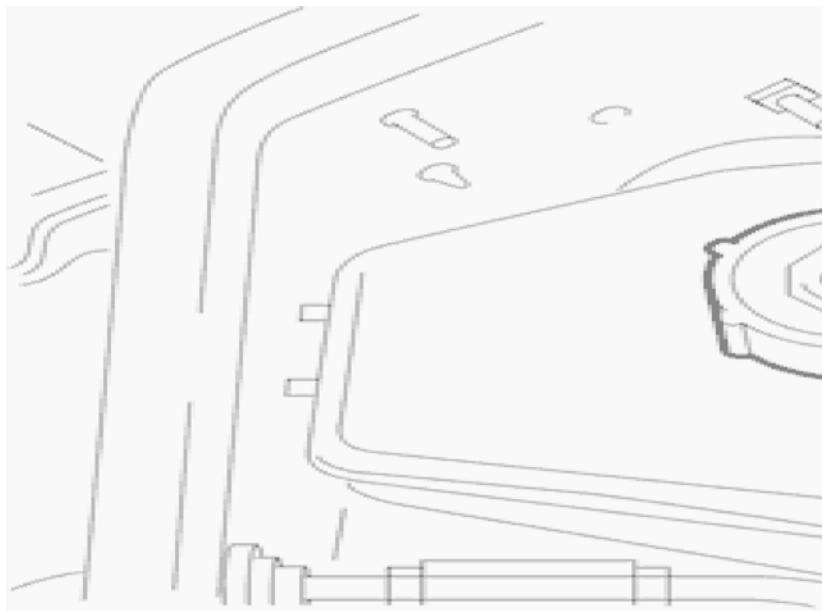
 **CAUTION:**
Replacement of nuts and bolts: Various thread-locking devices are used on nuts and bolts throughout the vehicle. These devices restrict the number of times a nut or bolt can be used. See section <<100-00>> for information.

 **CAUTION:**
The Brembo caliper is aligned to the brake disc when it is first installed to the vehicle, therefore, care must be taken not to disturb this alignment. When removing the caliper; remove the bolts that secure the anchor bracket to the vertical link only. **DO NOT** loosen any other caliper bolts.

Open engine compartment and fit paint work protection covers to fenders.

2. Raise front of vehicle and support on stands. See Section <<100-02>>.

3. Remove front wheels. Refer to operation <<74.20.05>>.

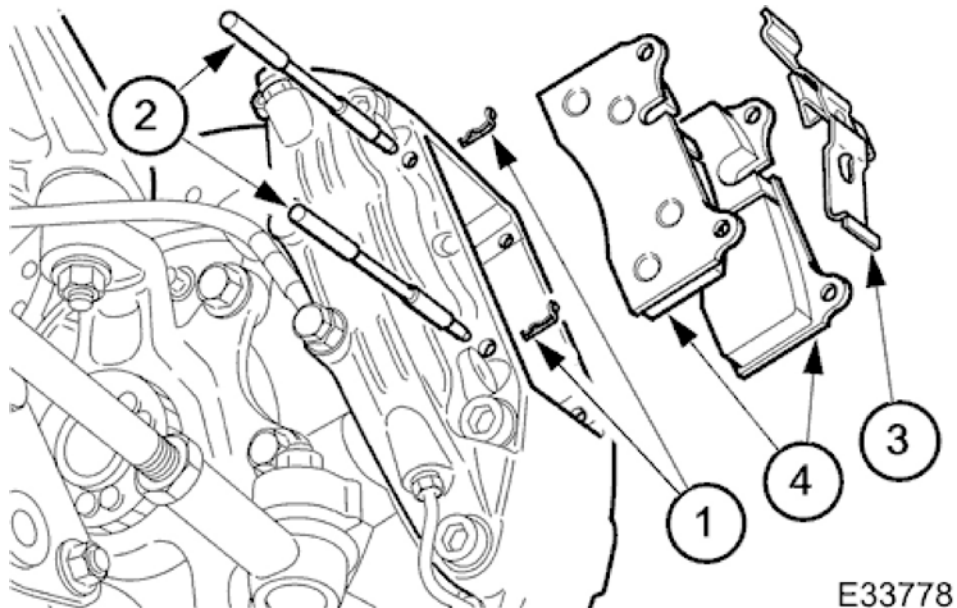


2002 XK RANGE - Front Disc Brake - 206-03

4.  **CAUTION:**
Remove brake fluid spillage immediately from paint work, with clean water.

Loosen brake fluid reservoir-cap.

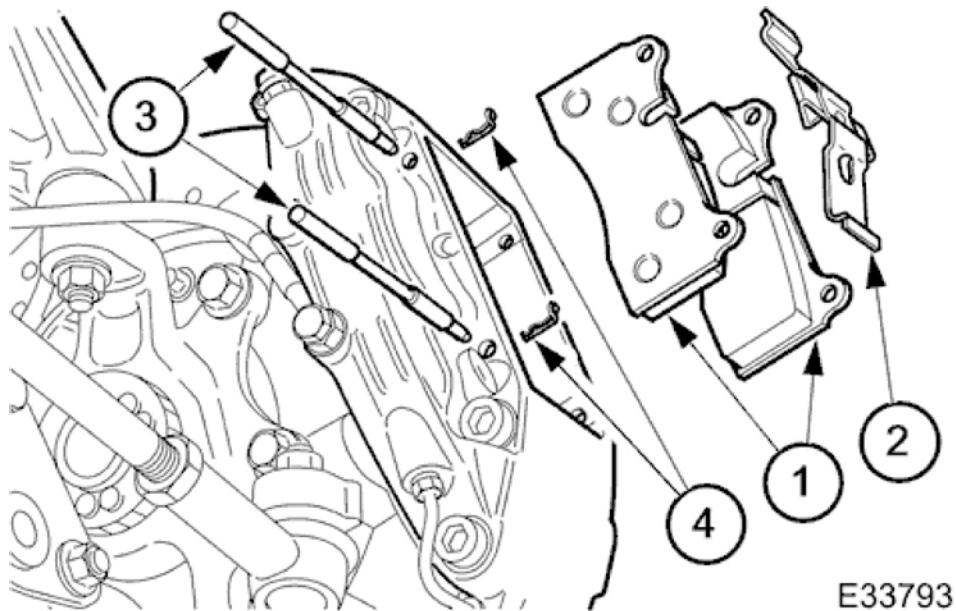
- Position a cloth around the reservoir to collect any fluid spillage.




5. Remove brake pads from caliper.
1. Remove 'R' clips.
 2. Withdraw pins from caliper.
 3. Remove anti-rattle spring.
 4. Discard brake pads.
6. Clean all mating surfaces and remove brake dust, see WARNING above.
7. Repeat above procedure to remove opposite side brake pads.

Installation

2002 XK RANGE - Front Disc Brake - 206-03

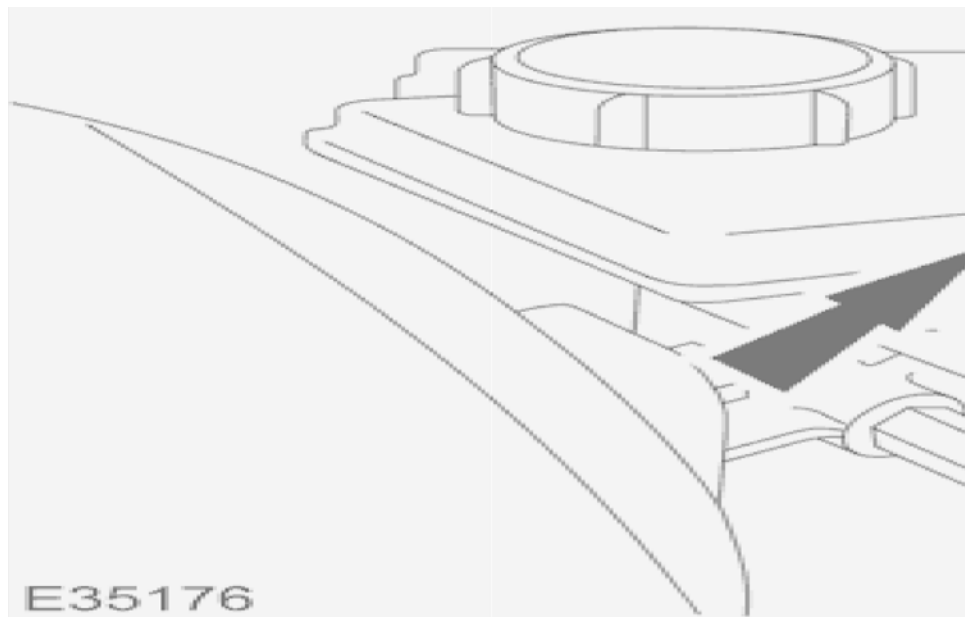


1.  **CAUTION:**
Retracting the caliper piston may cause the fluid reservoir to over-flow. Remove brake fluid spillage immediately from paint work, with clean water.

-  **CAUTION:**
Note condition of pins and 'R' clips and replace if necessary.

Install brake pads into caliper.

- Slowly retract caliper pistons into caliper.
 1. Install pads.
 2. Position anti-rattle spring.
 3. Install pins.
 4. Install 'R' clips.
2. Repeat above procedure to install opposite side brake pads.
 3. Fit wheels. Refer to operation <<74.20.05>>.
 4. Remove stands and lower vehicle. Refer to section <<100-02>>.



5.  **CAUTION:**
Remove brake fluid spillage immediately from paint work, with clean water.

Check brake fluid level.

- Check brake fluid level is at the maximum mark.
- Remove cloth.
- Fit cap.

6. Remove paint work protection covers, and close engine compartment.
7. Start the engine and repeatedly press the brake pedal until brake pressure is evident.