

Brake Caliper Vehicles With: Brembo Brakes 70.55.03


Special Service tools




E36399


Brake Pedal Hold Tool
JDS 9013

Removal

-  **WARNING:**
BRAKE DUST, IF INHALED CAN DAMAGE YOUR HEALTH. ALWAYS REMOVE BRAKE DUST USING A VACUUM BRUSH. DO NOT USE A COMPRESSED-AIR LINE TO DISPERSE BRAKE DUST INTO THE ATMOSPHERE.

 **CAUTION:**
Replacement of nuts and bolts: Various thread-locking devices are used on nuts and bolts throughout the vehicle. These devices restrict the number of times a nut or bolt can be used. See section <<100-00>> for information.

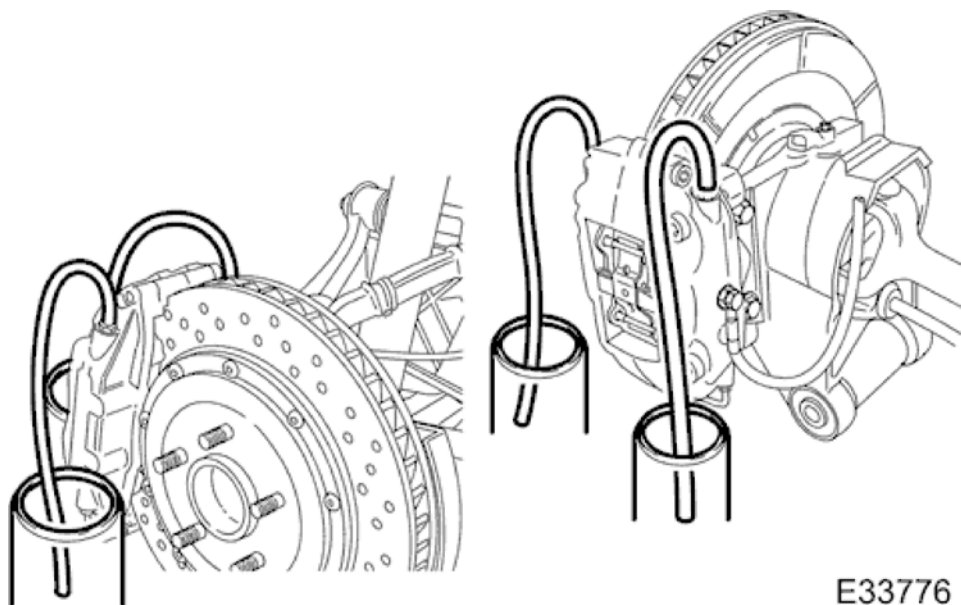
 **CAUTION:**
Remove brake fluid spillage immediately from paint work, with clean water.

 **CAUTION:**
The Brembo caliper is aligned to the brake disc when it is first installed to the vehicle, therefore, care must be taken not to disturb this alignment. When removing the caliper; remove the bolts that secure the anchor bracket to the hub carrier only. DO NOT loosen any other caliper bolts.

Open engine compartment and fit paint work protection covers to fenders.

- Raise vehicle on a four-post lift.
- Raise front of vehicle and support on stands. Refer to Section <<100-02>>.
- Remove front wheels. Refer to operation <<74.20.05>>.

2002 XK RANGE - Rear Disc Brake - 206-04

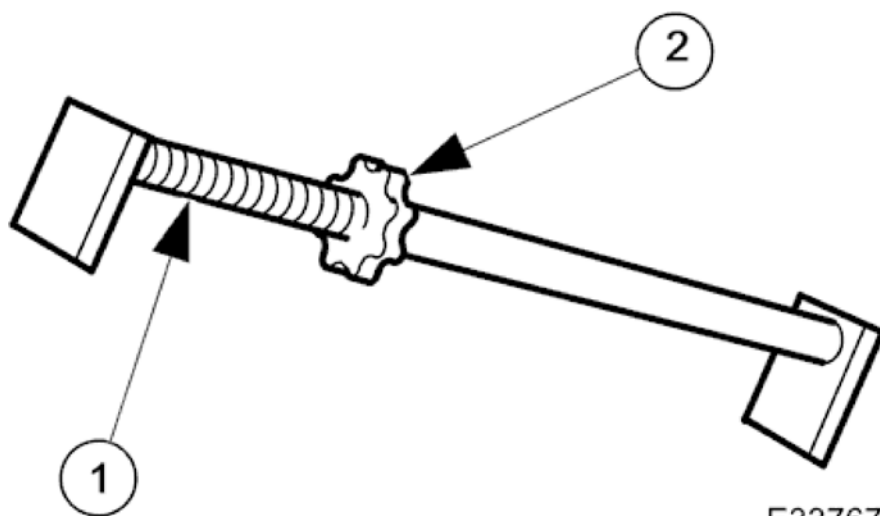


5. NOTE:

The following three pictorial procedures must be carried-out to minimize brake fluid loss when disconnecting the brake hose.

Open Left-Hand-Front and Left-Hand-Rear caliper bleed nipples.

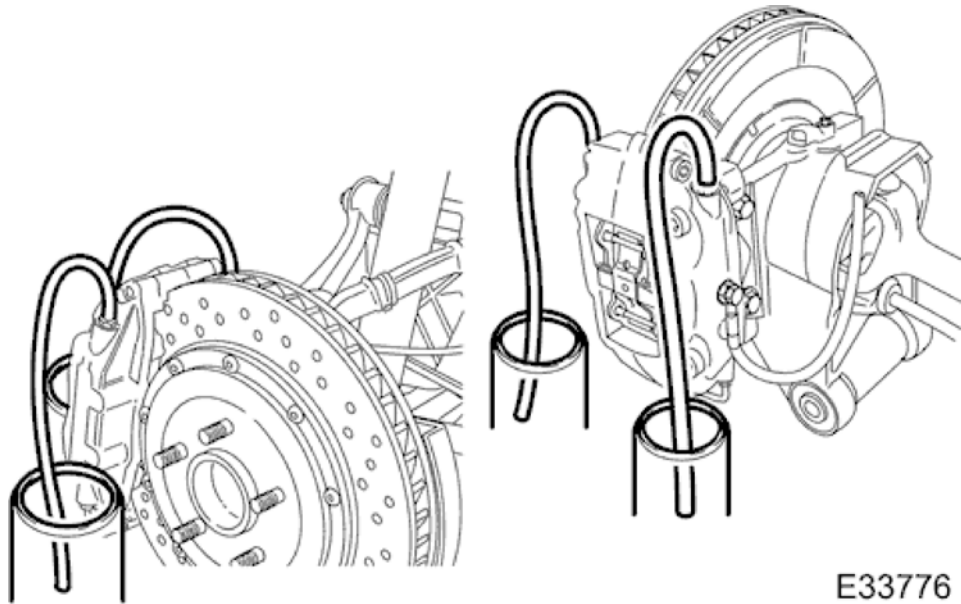
- Connect a bleed tube and container to the calipers.
- Open bleed nipples.



6. Depress and hold down brake pedal at the specified measurement using the special tool.

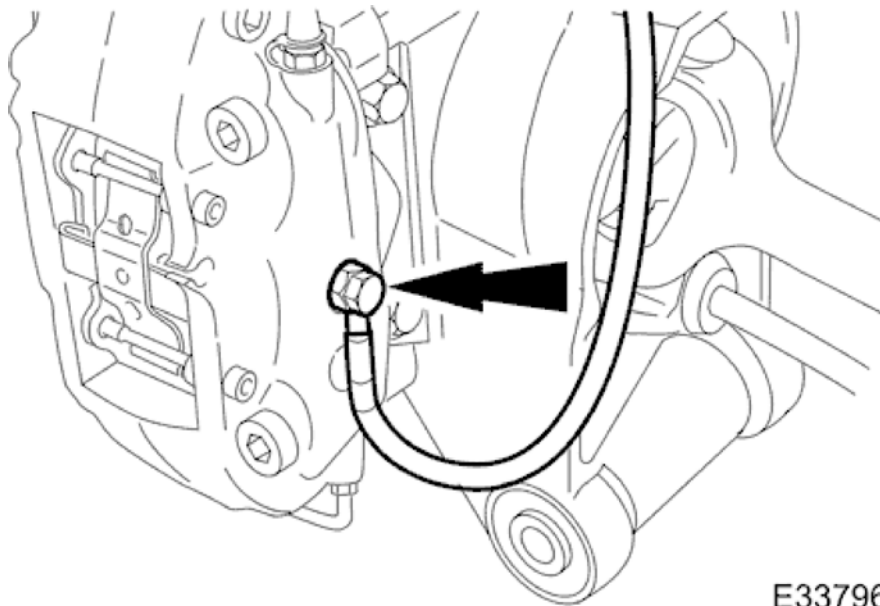
1. Position tool between brake pedal and seat frame.
2. Turn the tool wheel until the brake pedal is held 60mm down from its released position.

2002 XK RANGE - Rear Disc Brake - 206-04



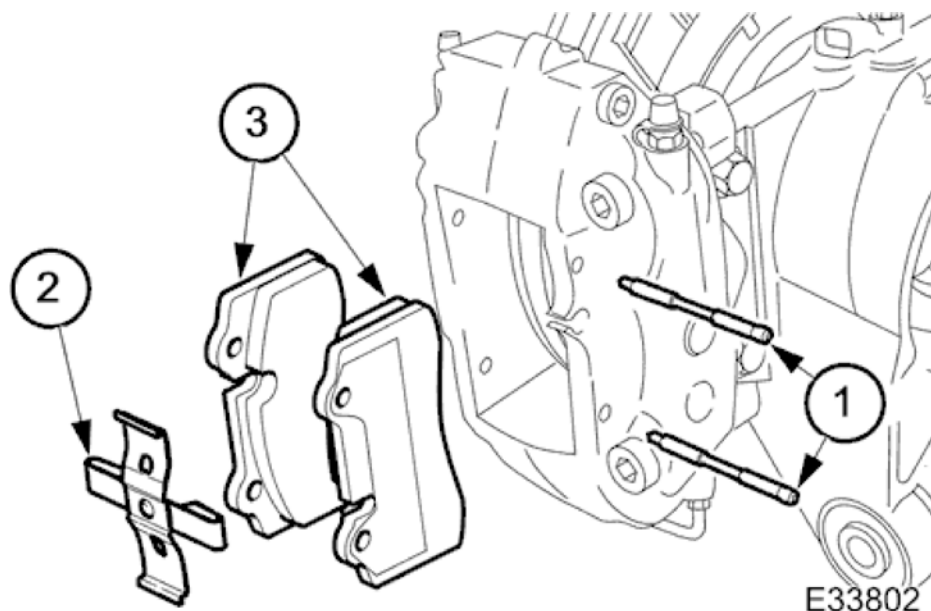
E33776

7. Close bleed nipples on both calipers.
 - Tighten bleed nipples to 12-16 Nm.
 - Remove bleed tubes and containers.

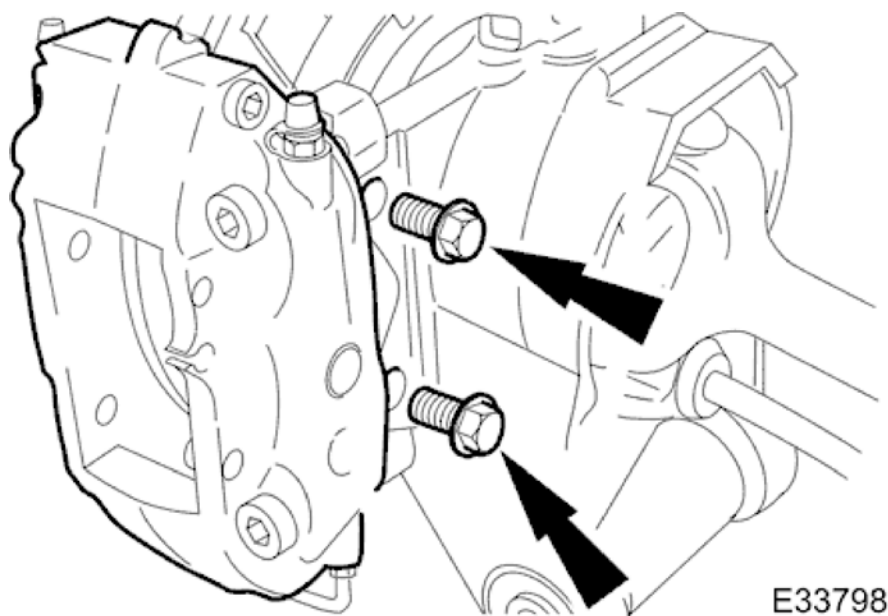



E33796

8. Release brake hose from caliper.
 - Remove union bolt.
 - Remove and discard sealing washers.
 - Install plugs into caliper and hose.



9. Remove brake pads from caliper.
1. Withdraw pins from caliper.
2. Remove anti-rattle spring.
3. Remove brake pads.



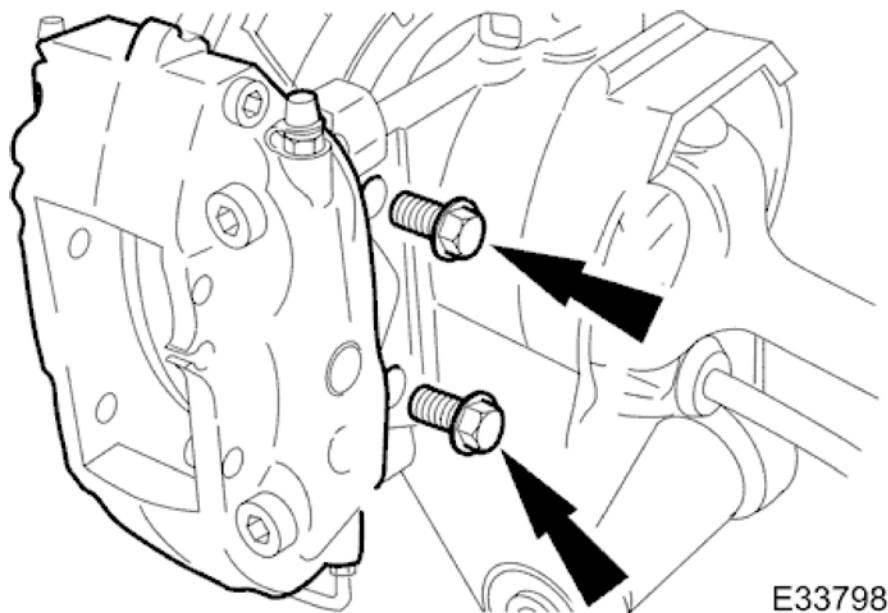
10.  **CAUTION:**
Only remove the bolts securing the caliper anchor bracket to the hub carrier. Refer to caution above for more information.

Remove caliper from hub carrier.
• Remove bolts.

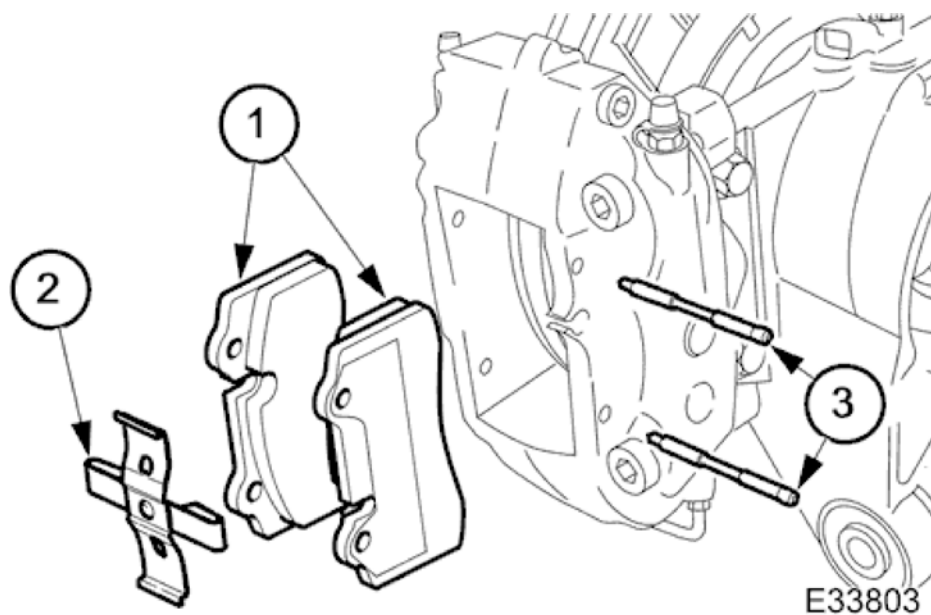
2002 XK RANGE - Rear Disc Brake - 206-04


11. Remove brake dust and clean mating surfaces. See Warning above.

Installation



1. Install caliper to hub carrier.
 - Install and tighten bolts to 60 Nm.



2.  **CAUTION:**
Retracting the caliper piston may cause the fluid reservoir to over-flow. Remove brake fluid spillage immediately from paint work with clean water.

2002 XK RANGE - Rear Disc Brake - 206-04

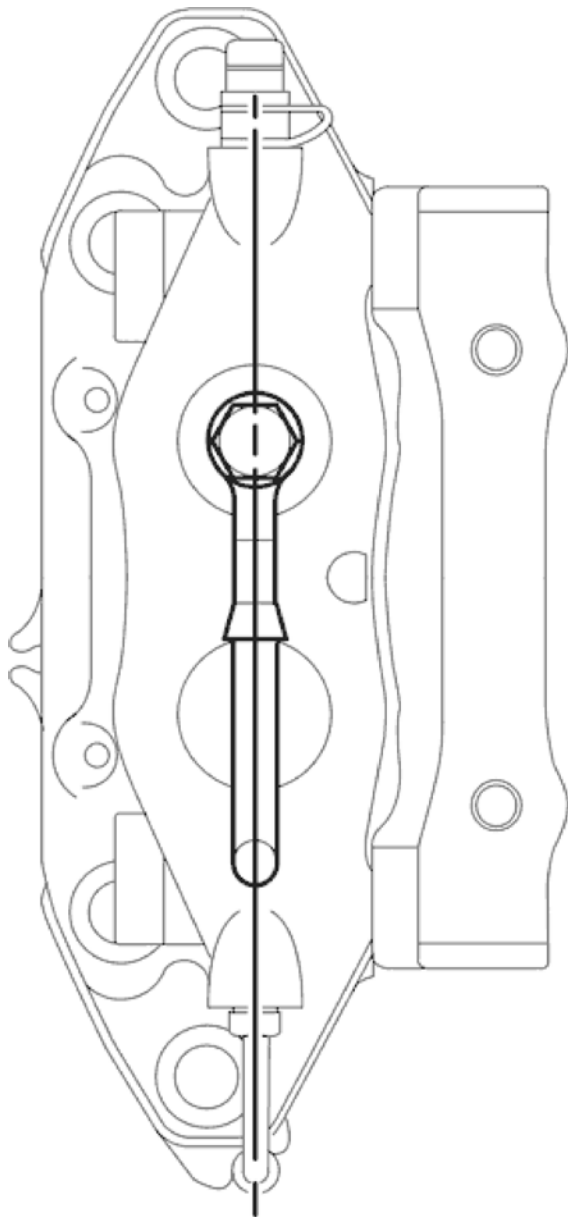


CAUTION:

Note the condition of the pins and replace if necessary.

Install brake pads. Refer to 70.40.09 for anti-squeal grease application.

- Slowly retract caliper pistons.
 1. Install pads.
 2. Position anti-rattle spring.
 3. Install pins - make sure pin collets are fully engaged into caliper.



E33806



CAUTION:

The brake hose must only be installed with the vehicle's body supported and the suspension

2002 XK RANGE - Rear Disc Brake - 206-04

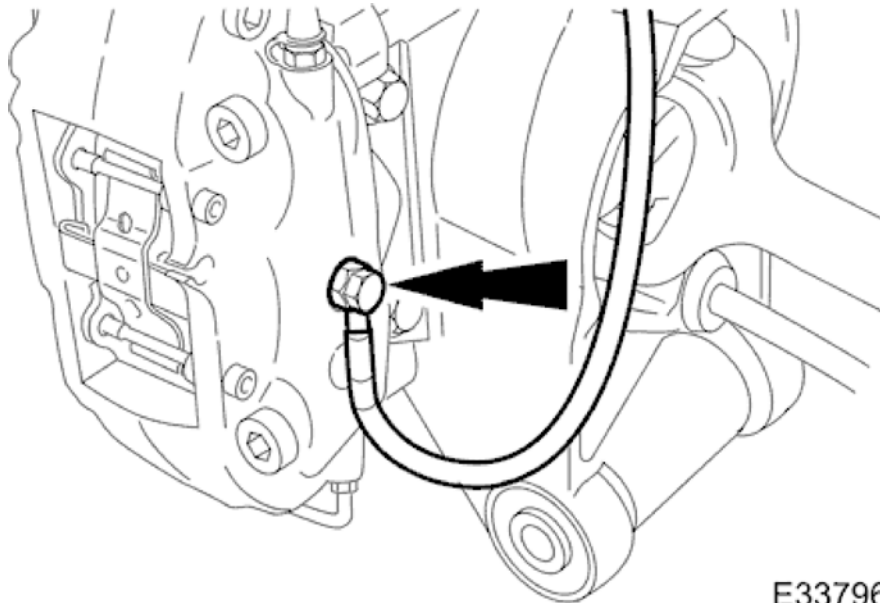
hanging.



CAUTION:

It is important that the brake hose is aligned correctly when installed to prevent it fouling on the steering and suspension components.

After installation the brake hose must be aligned with the center line as shown.



E33796

4. Install brake hose to caliper.
 - Remove plugs from caliper and hose.
 - Install new sealing washers.
 - Align hose as shown above.
 - Install and tighten union bolt to 22-26 Nm.

5. Remove special tool from brake pedal.

6. Fit wheels. Refer to operation <<74.20.05>>.

7. NOTE:

Make sure the brake hose is routed correctly.

Remove stands and lower vehicle. Refer to section <<100-02>>.

8. Bleed brake hydraulic system. Refer to operation 70.25.06.