



Brake Disc Vehicles With: Brembo Brakes 70.10.11

Removal

1.  **WARNING:**
BRAKE DISCS MUST ALWAYS BE REPLACED IN PAIRS.

 **WARNING:**
BRAKE DUST, IF INHALED CAN DAMAGE YOUR HEALTH. ALWAYS REMOVE BRAKE DUST USING A VACUUM BRUSH. DO NOT USE A COMPRESSED-AIR LINE TO DISPERSE BRAKE DUST INTO THE ATMOSPHERE.

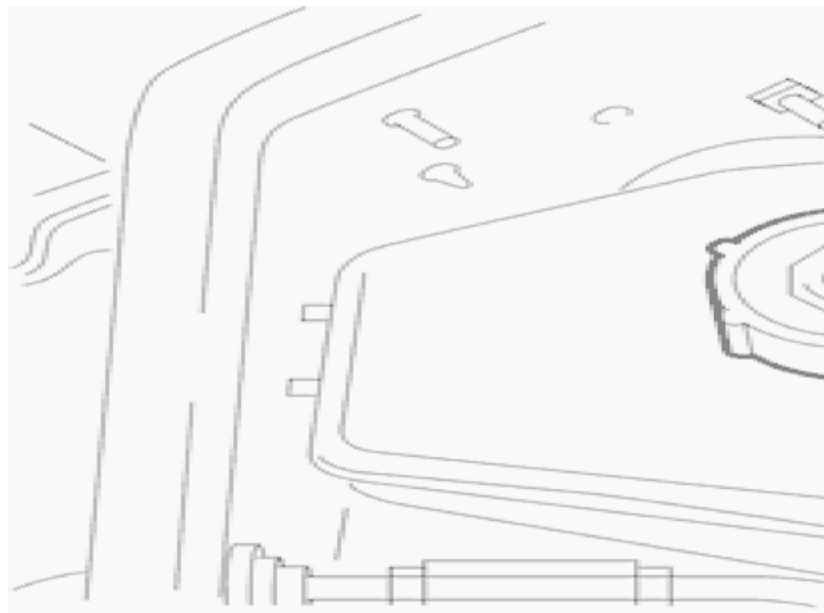
 **CAUTION:**
Replacement of nuts and bolts: Various thread-locking devices are used on nuts and bolts throughout the vehicle. These devices restrict the number of times a nut or bolt can be used. See section <<100-00>> for information.

 **CAUTION:**
The Brembo caliper is aligned to the brake disc when it is first installed to the vehicle, therefore, care must be taken not to disturb this alignment. When removing the caliper; remove the bolts that secure the anchor bracket to the hub carrier only. DO NOT loosen any other caliper bolts.

Open engine compartment and fit paint work protection covers to fenders.

2. Raise rear of vehicle and support on stands. Refer to section <<100-02>>.

3. Remove rear wheels. Refer to section <<204-04>>.

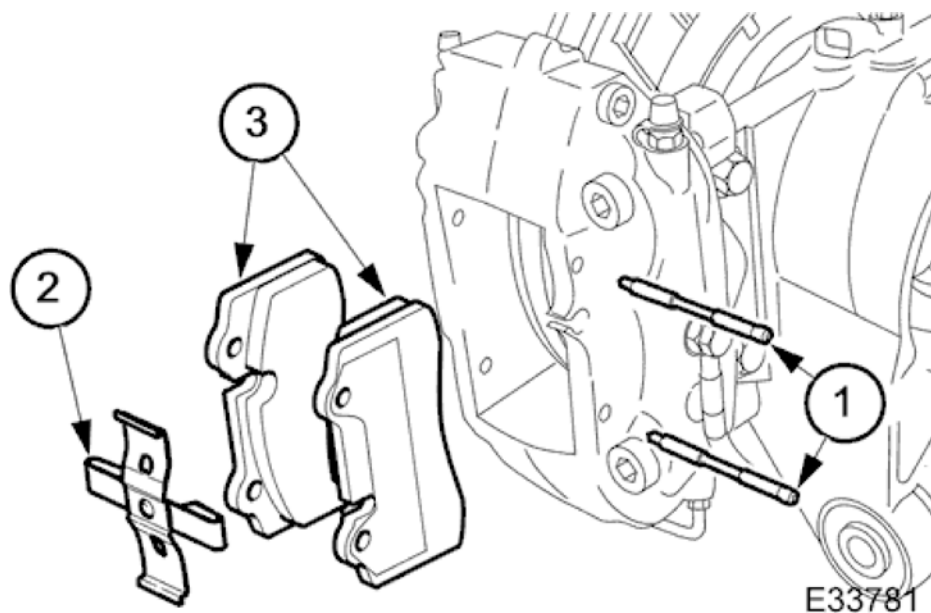



2002 XK RANGE - Rear Disc Brake - 206-04

4.  **CAUTION:**
Remove brake fluid spillage immediately from paint work, with clean water.

Loosen brake fluid reservoir-cap.

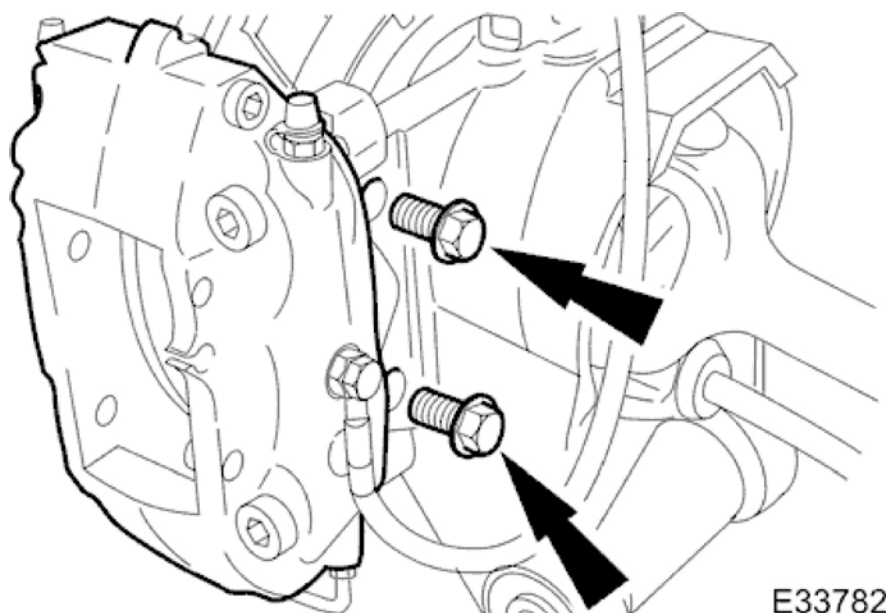
- Position a cloth around the reservoir to collect any fluid spillage.





5.  **CAUTION:**
Always install new brake pads, irrespective of the condition of the original pads, when renewing brake discs.

Remove brake pads from caliper.

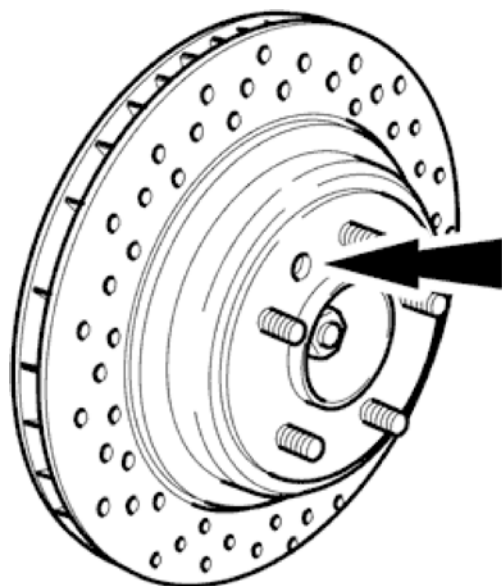
1. Withdraw pins from caliper.
2. Remove anti-rattle spring.
3. Discard brake pads.



6.  **CAUTION:**
Only remove the bolts securing the caliper anchor bracket to the hub carrier. Refer to caution above for more information.

-  **CAUTION:**
Do not allow the caliper to hang on the hydraulic hose, as this will damage the hose.

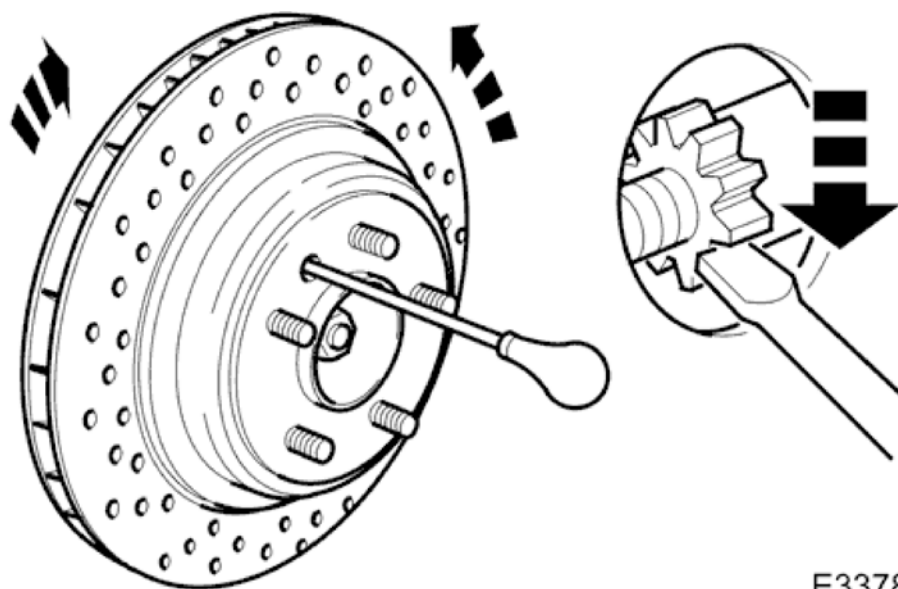
- Remove caliper from hub carrier.
- Remove bolts.
 - Remove and tie caliper aside.



7. Align brake disc access hole with parking brake adjuster.

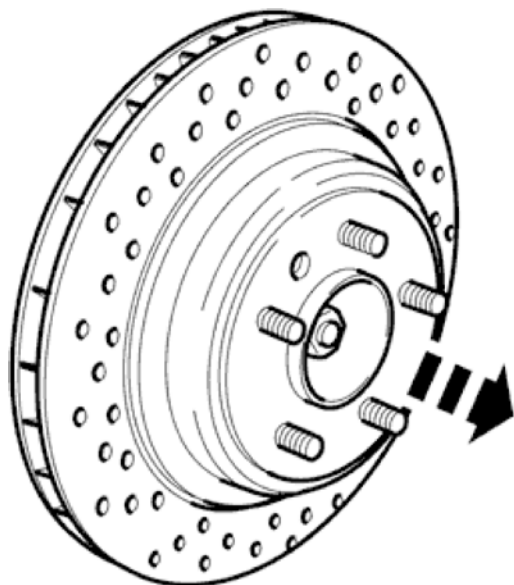
2002 XK RANGE - Rear Disc Brake - 206-04

- Remove plug from access hole.
- Rotate brake disc until access hole is aligned with adjuster.



E33784

8. Slacken parking brake adjuster to allow for the removal of the brake disc.
- Rotate adjuster clockwise.



E33785

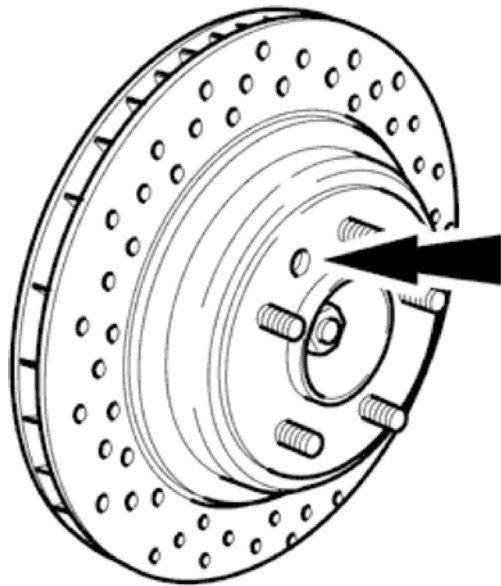
9. Remove brake disc from hub.

10. Remove brake dust from calipers, and from area of parking brake shoes, see WARNING above.

11. Repeat above procedure to remove opposite side brake disc.

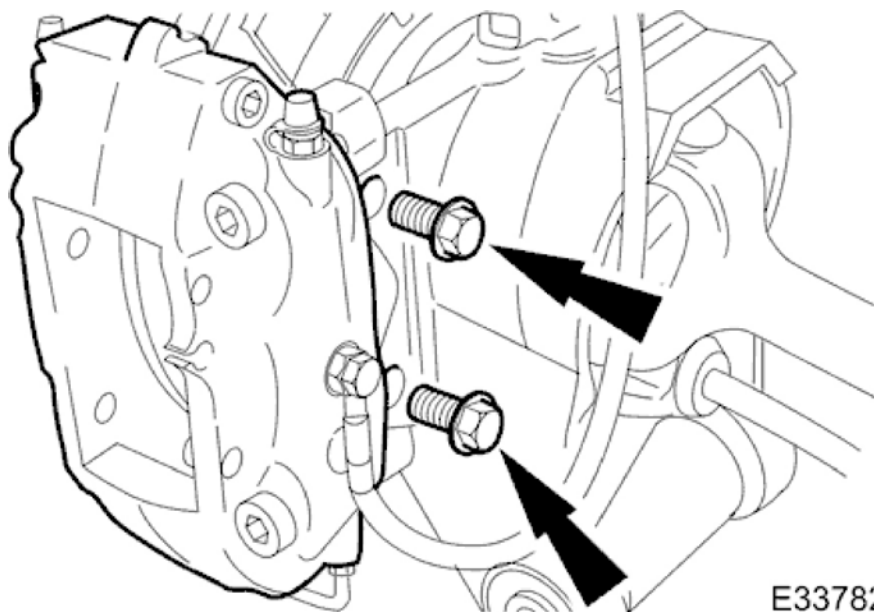
12. Thoroughly clean the area of both hubs where they mate against the brake discs.

Installation



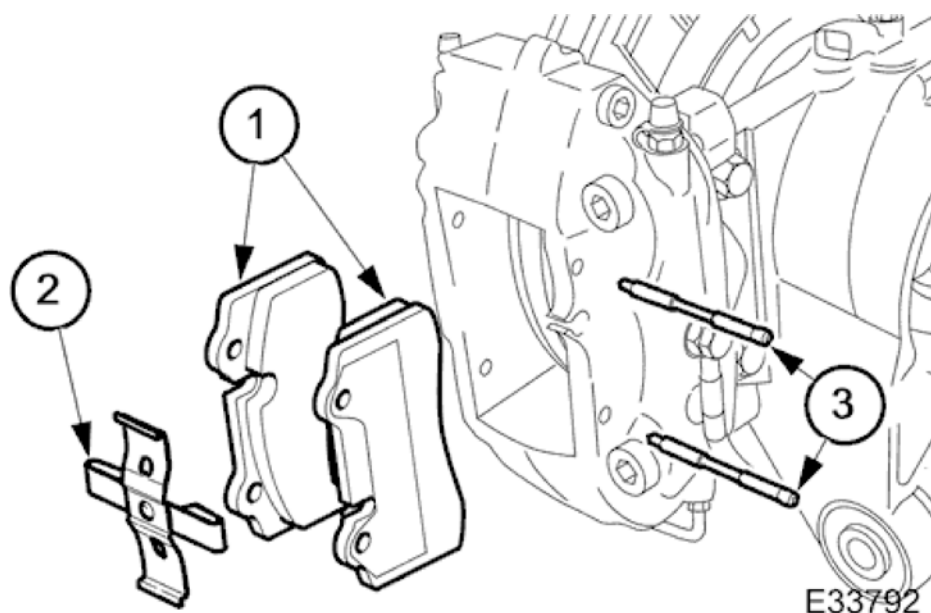
E33783


1. Install brake disc to wheel studs.
 - Make sure hub and brake disc access holes are aligned.
2. Set the parking brake, refer to operation <<70.35.37>>.
3. Check brake disc run-out. Refer to General Procedures section <<206-04>>.




E33782

4. Install caliper to hub carrier.
 - Install and tighten bolts to 60 Nm.



5.  **CAUTION:**
Always install new brake pads, irrespective of the condition of the original pads, when renewing brake discs.

 **CAUTION:**
Retracting the caliper piston may cause the fluid reservoir to over-flow. Remove brake fluid spillage immediately from paint work with clean water.

 **CAUTION:**
Note the condition of pins and replace if necessary.

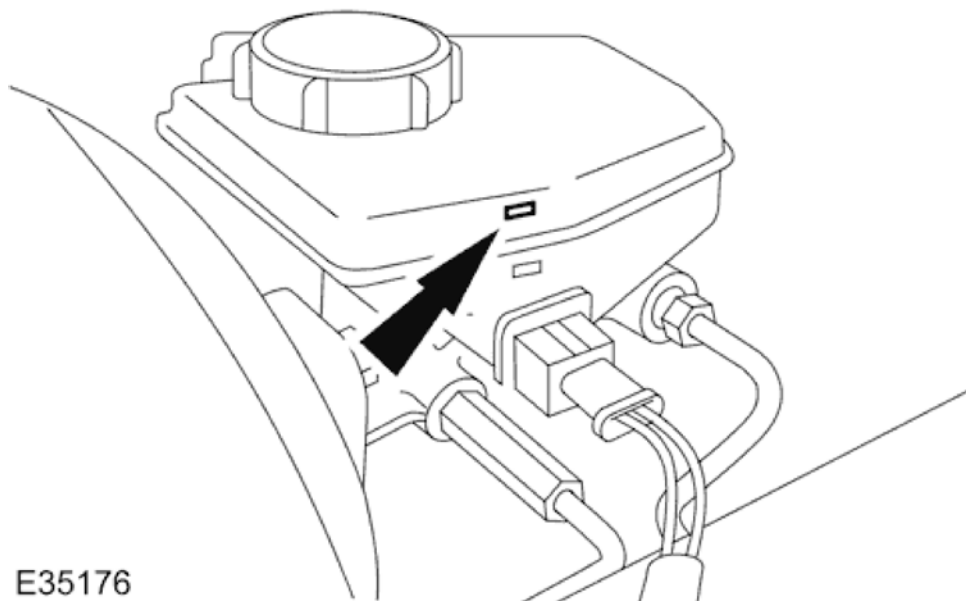
Install brake pads. Refer to 70.40.09 for anti-squeal grease application.

- Slowly retract caliper pistons.
 1. Install pads.
 2. Position anti-rattle spring.
 3. Install pins - make sure pin collets are fully engaged into caliper.

6. Repeat above procedure to install opposite side brake disc.

7. Fit wheels. Refer to section <<204-04>>.

8. Remove stands and lower vehicle. Refer to section <<100-02>>.



E35176

9.  **CAUTION:**
Remove brake fluid spillage immediately from paint work, with clean water.

Check brake fluid level.

- Check brake fluid level is at the maximum mark.
 - Remove cloth.
 - Fit cap.
10. Remove paint work protection covers, and close engine compartment.
11. Start the engine and repeatedly press the brake pedal until brake pressure is evident.