

Door Window Glass 76.31.01

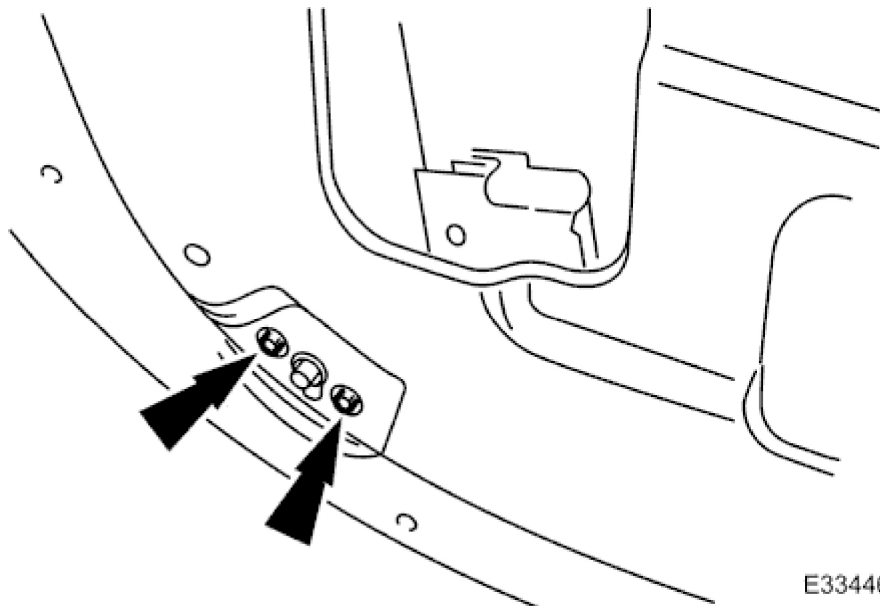
Removal

1. With door open, turn ignition key to position II.
2. Motor door glass to fully raised position.
3. Turn ignition key to position O.
4. Remove battery cover and disconnect ground cable from battery terminal.
5. Remove door casing for access. Refer to <<76.34.01>>.
6. Remove speaker. Refer to <<86.50.13>>.
7. Remove main water shedder and position secondary shedder clear of regulator assembly. Refer to <<76.58.07>>.



E33445

8. Slacken and remove glass rear guide runner upper retaining screw.



9. Slacken and remove rear guide runner lower adjuster and securing screws and position guide runner clear of glass guide.

10. Reconnect door glass operating switch.

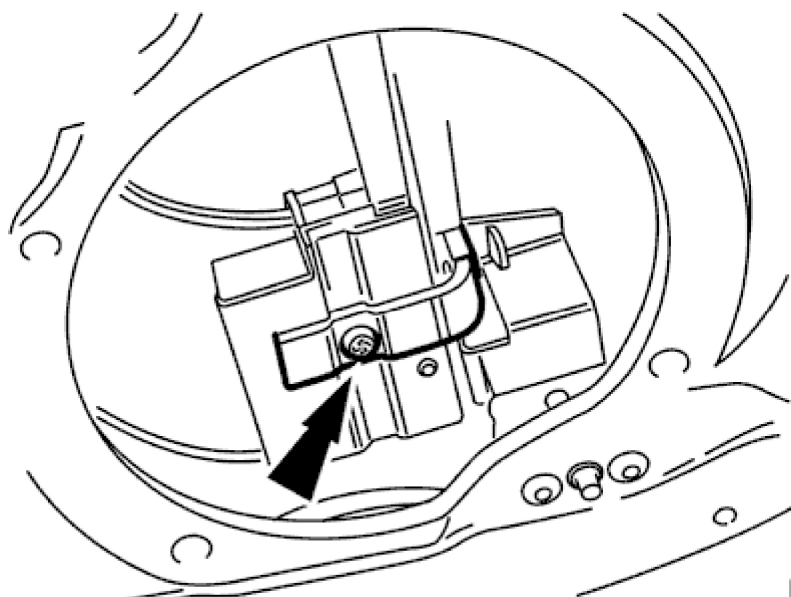
11. Connect ground cable to battery terminal. Refer to <<86.15.15>>.

12. Motor door glass to 50mm from bottom position.

13. Remove ground cable from battery terminal. Refer to <<86.15.15>>.

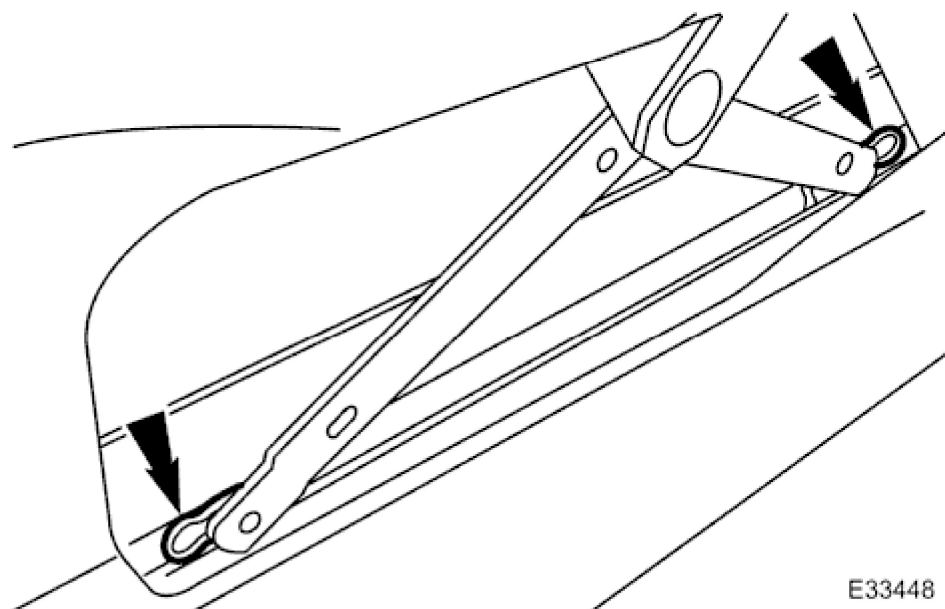
14. Remove door inner waist seal. Refer to <<76.31.55>>.

15. Remove door outer waist rail moulding. Refer to <<76.43.04>>.



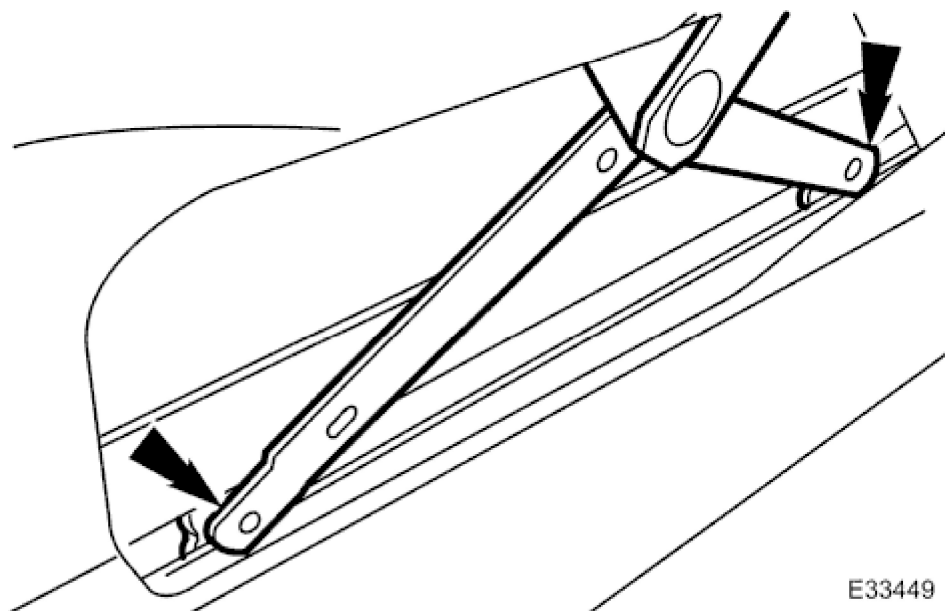
E33447

16. Slacken and remove screw securing door glass guide to front guide runner retaining bracket and remove bracket.



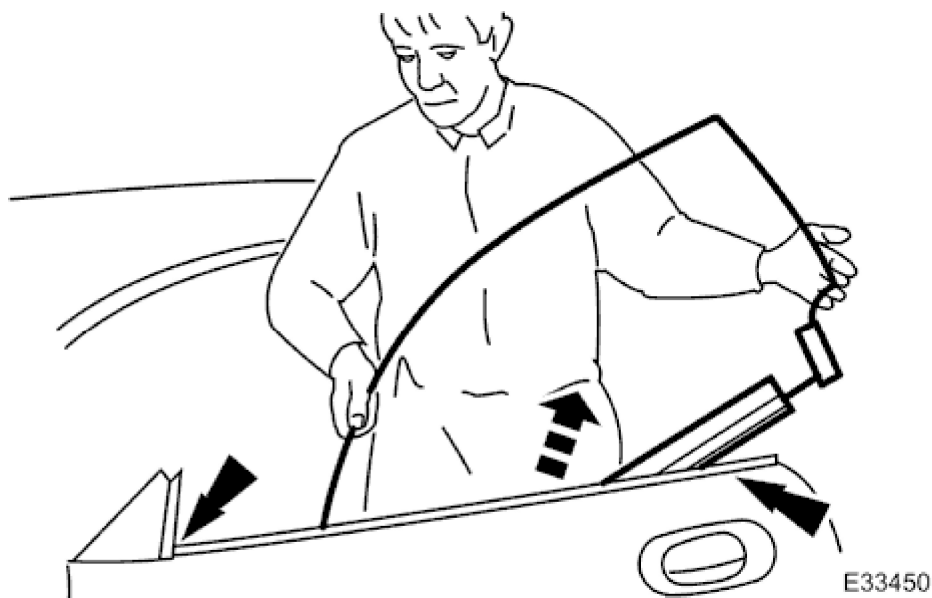
E33448

17. Remove clips from nylon fixings and retain for re-use.



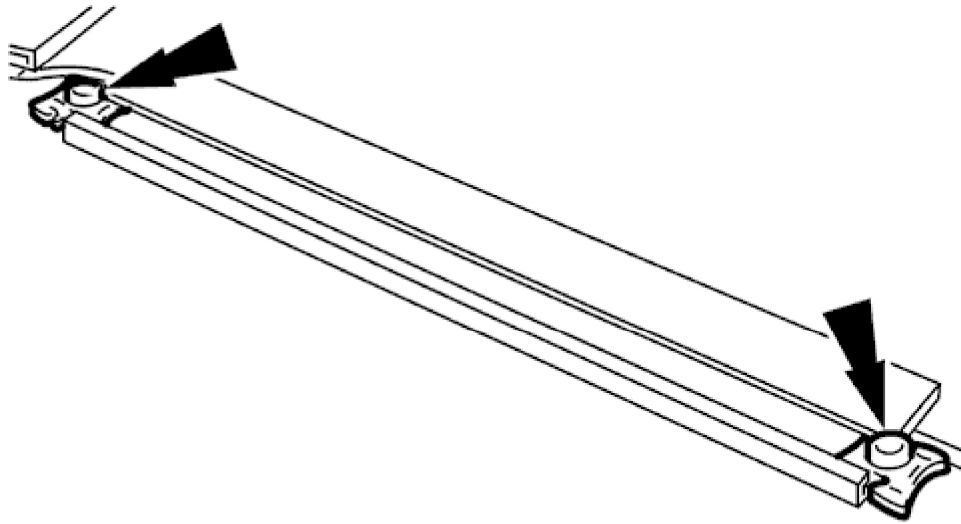
18. Release glass regulator assembly from nylon fixings.

E33449



19. Lift glass upwards, tilt rear end outwards pass upwards between top adjuster screws and remove glass from door.

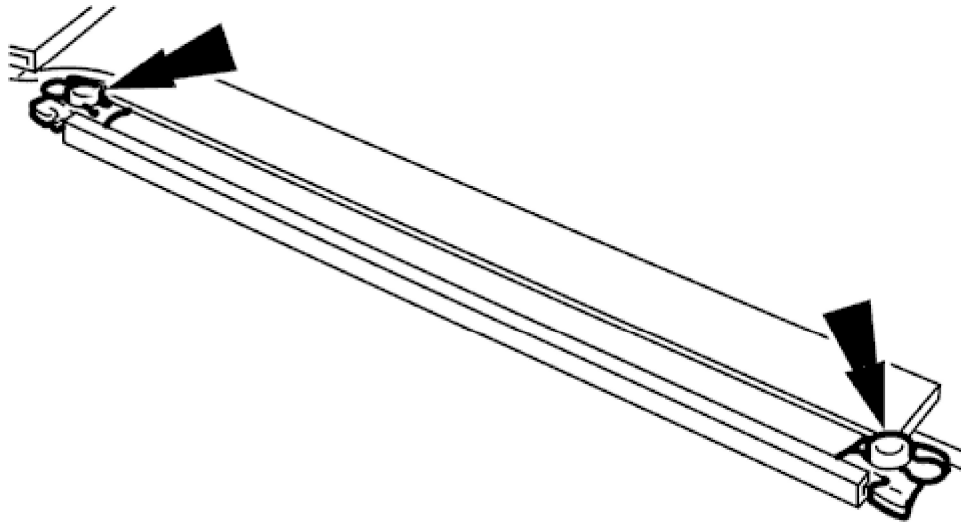
E33450



E33451

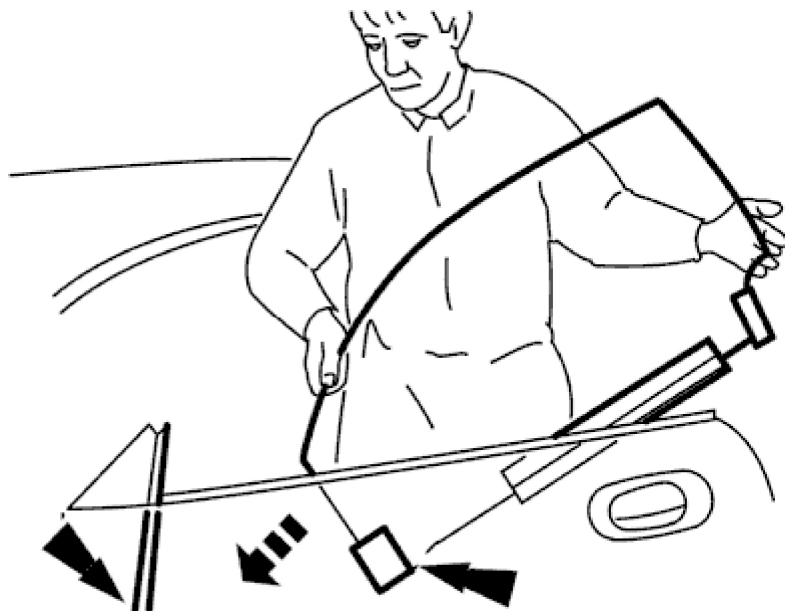
20. Remove nylon fixings from lower channel and refit clips to fixings.

Installation



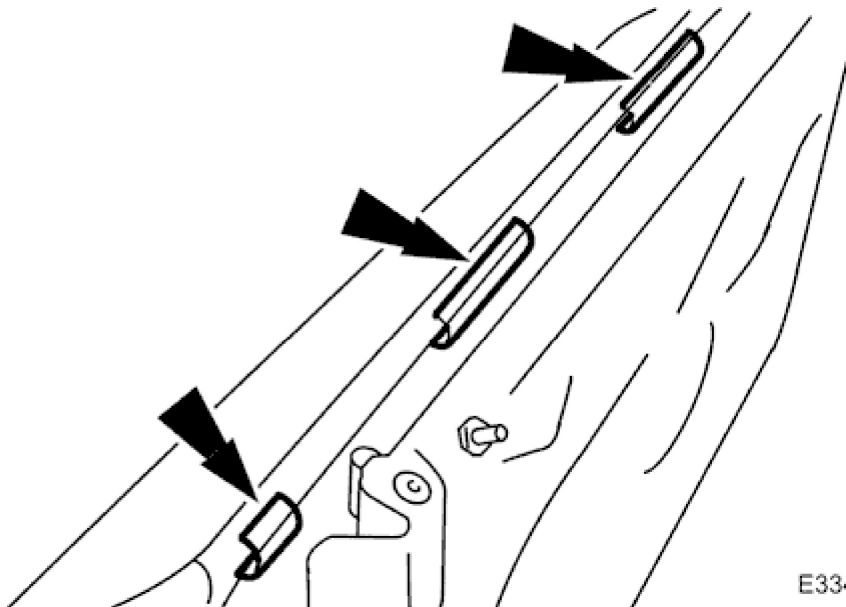
E34561

1. Lubricate glass lower channel and fit nylon fixings ensuring that looped ends of clips face outwards.



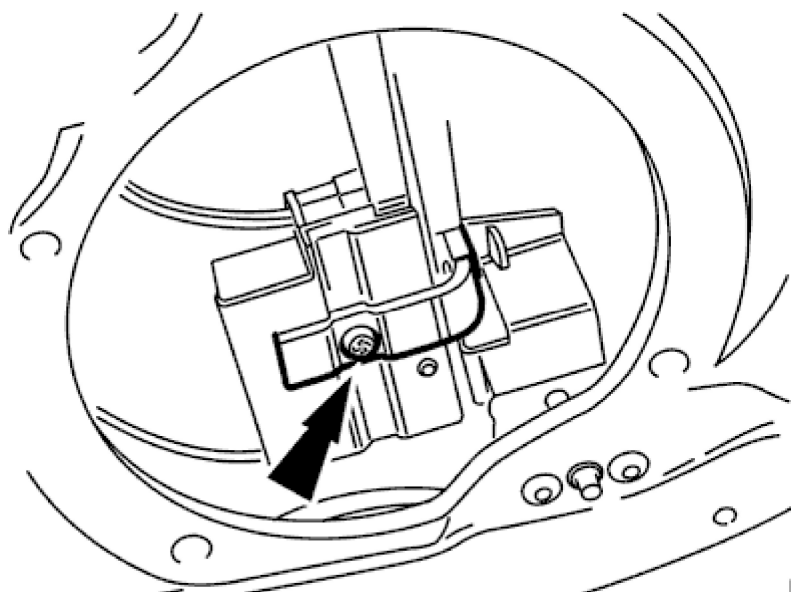
E33452

2. Position glass in door aperture and fit front guide onto guide runner.



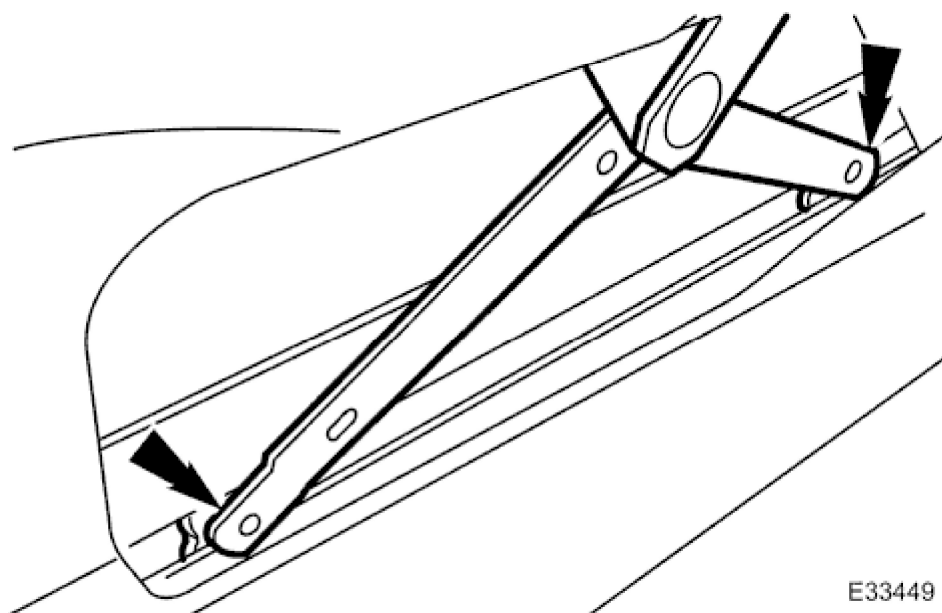
E33455

3. Check that the three buffers are fitted to outer waist reinforcer.



E33447

4. Fit and align glass front guide retaining bracket and tighten securing screw.



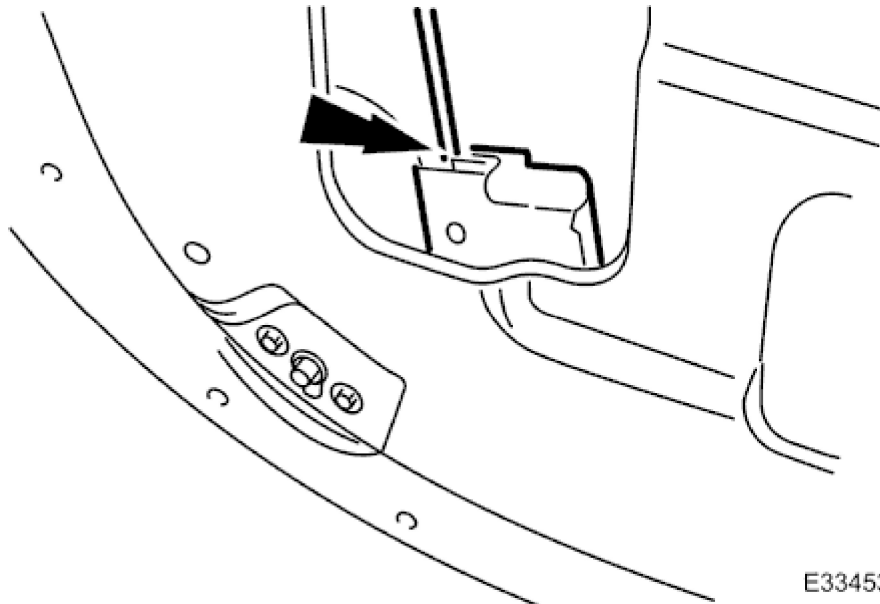
E33449

5. Fit glass regulator assembly onto nylon fixings and fit and fully seat retaining clips.

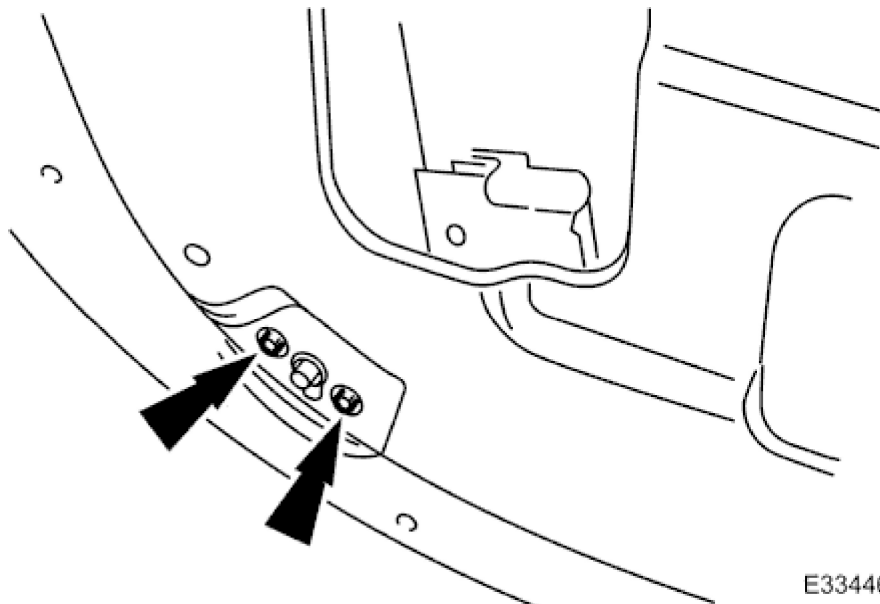
6. Connect ground cable to battery terminal. Refer to <<86.15.15>>.

7. Motor glass to 25mm from fully raised position

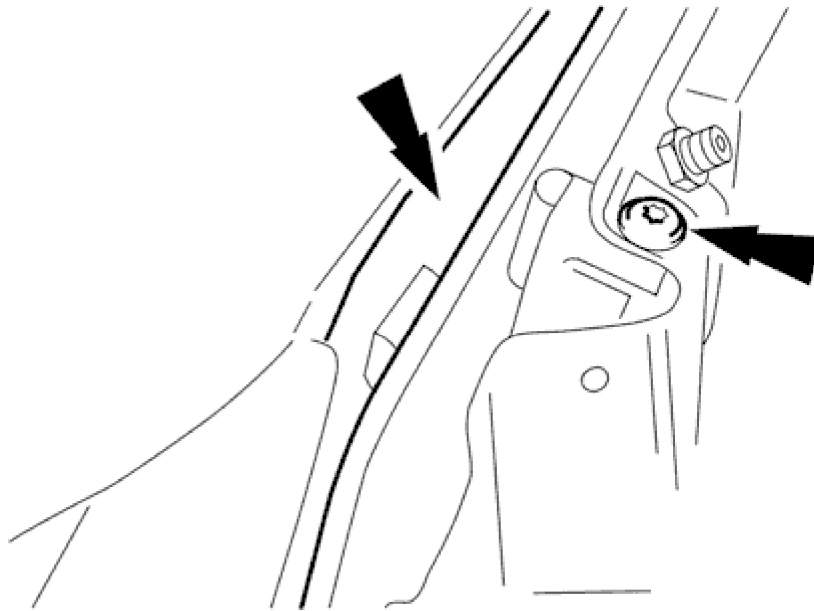
8. Disconnect ground cable from battery terminal.



9. Fit rear guide runner to glass guide.



10. Fit and tighten rear guide runner adjuster securing screws.



E33454

11. Fit and tighten rear guide runner upper securing screw ensuring that a clearance of 9mm is maintained between glass and outer waist rail flange inner face.
12. Fit ground cable to battery terminal and fit battery cover. Refer to <<86.15.15>>.
13. Motor glass to fully lowered position.
14. Disconnect and remove door switchpack.
15. Fit door outer waist rail moulding. Refer to <<76.43.04>>.
16. Fit door inner waist seal. Refer to <<76.31.55>>.
17. Adjust door glass as required. Refer to <<76.31.03>>.
18. Fit speaker. Refer to <<86.50.13>>.
19. Fit secondary and main water shedders. Refer to <<76.58.07>>.
20. Fit door casing. Refer to <<76.34.01>>.