

## Seating - Front Seat

Removal and Installation

### Removal

• WARNINGS:



BEFORE ANY AIR BAG/SRS SERVICE IS PERFORMED, AT LEAST ONE MINUTE MUST ELAPSE AFTER DISCONNECTION OF THE BATTERY POSITIVE CABLE TO ALLOW DISSIPATION OF BACK-UP POWER SUPPLY ENERGY.



IN THE EVENT OF A FAULT RUPTURING THE 10A BATTERY SUPPLY FUSE (F4 LOCATED IN THE FUSE BOX AT THE DRIVER END OF THE FASCIA) THE FUSE MUST NOT BE RENEWED UNTIL THE AIR BAG/SRS SYSTEM HAS BEEN DE-ACTIVATED. FUSES OF ANY OTHER VALUE MUST NEVER BE USED AS THIS CAN CAUSE DISARM FAILURE.



AFTER DEPLOYMENT, THE AIR BAG SURFACE CAN CONTAIN DEPOSITS OF SODIUM HYDROXIDE, A PRODUCT OF THE GAS GENERATED DURING COMBUSTION THAT IS IRRITATING TO THE SKIN. WASH YOUR HANDS WITH SOAP AND WATER AFTERWARDS. FAILURE TO FOLLOW THIS INSTRUCTION MAY RESULT IN PERSONAL INJURY.

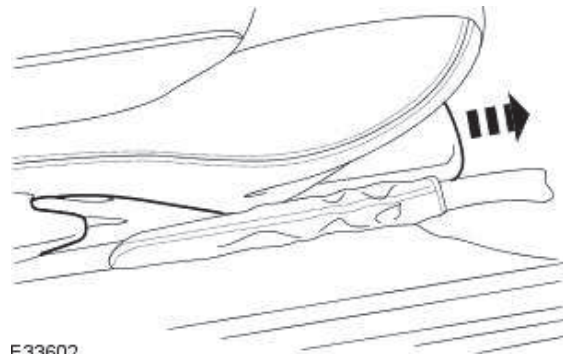


NEVER PROBE THE CONNECTORS ON THE AIR BAG MODULE. DOING SO MAY RESULT IN AIR BAG DEPLOYMENT. FAILURE TO FOLLOW THIS INSTRUCTION MAY RESULT IN PERSONAL INJURY.



TO AVOID ACCIDENTAL DEPLOYMENT AND POSSIBLE PERSONAL INJURY, THE BACKUP POWER SUPPLY MUST BE DEPLETED BEFORE REPAIRING OR REPLACING ANY AIR BAG SUPPLEMENTAL RESTRAINT SYSTEM (SRS) COMPONENTS. TO DEplete THE BACKUP POWER SUPPLY ENERGY, DISCONNECT THE BATTERY GROUND CABLE AND WAIT ONE MINUTE. FAILURE TO FOLLOW THIS INSTRUCTION MAY RESULT IN PERSONAL INJURY.

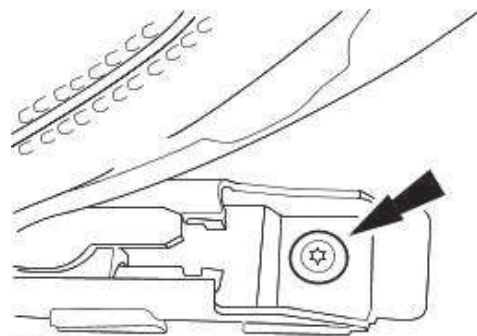
1. Position the front seat fully rearwards.
2. Remove the front seat base trim panel.



E33602

3. NOTE: Front seat right-hand front retaining bolt shown, front seat left-hand front retaining bolt similar.

Remove the front seat front retaining bolts.

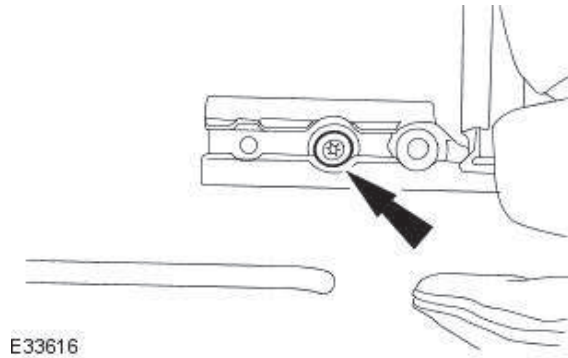


E33615

4. Position the front seat fully forwards.
5. Disconnect the battery ground cable.  
For additional information, refer to Section [414-01 Battery, Mounting and Cables](#).

**6. NOTE:** Front seat right-hand rear retaining bolt shown, front seat left-hand rear retaining bolt similar.

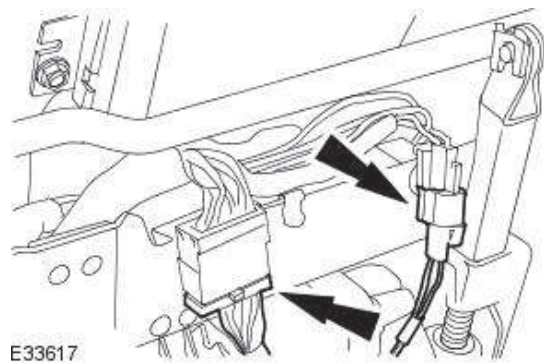
Remove the front seat rear retaining bolts.



**7. ⚠ CAUTION:** On removal of the front seat, make sure damage does not occur to the vehicle trim and paint work.

Remove the front seat.

- Disconnect the front seat base electrical connectors.



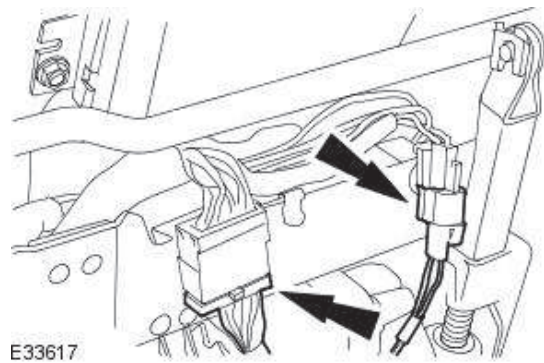
### Installation

**1. ⚠ CAUTION:** On installation of the front seat, make sure damage does not occur to the vehicle trim and paint work.

- NOTE: Do not install the front seat rear retaining bolts.

Loosely install the front seat.

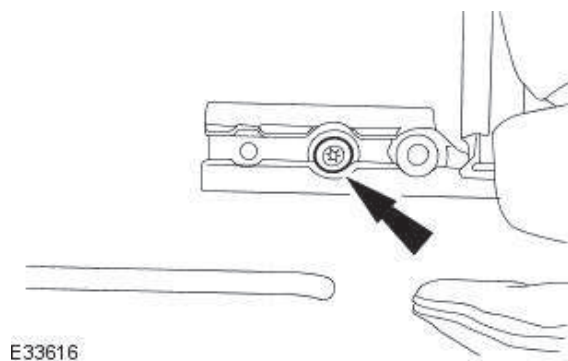
**2.** Connect the front seat base electrical connectors.



**3. NOTE:** Front seat right-hand rear retaining bolt shown, front seat left-hand rear retaining bolt similar.

Install the front seat rear retaining bolts.

- Tighten to 25 Nm.



**4.** Carry out the battery reconnection procedure.  
For additional information, refer to Section [414-01 Battery, Mounting and Cables](#).

**5.** Position the front seat fully rearwards.

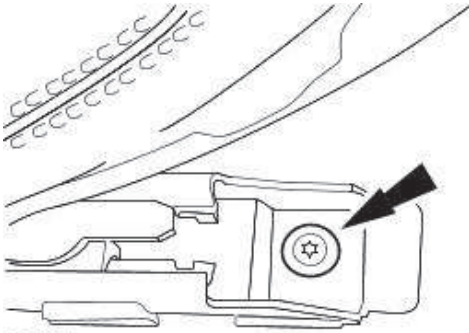
**6.** NOTE: Front seat right-hand front retaining bolt shown, front seat left-hand front retaining bolt similar.

• NOTE: Make sure the front seat base alignment brackets are in position before the front seat retaining bolts are installed.

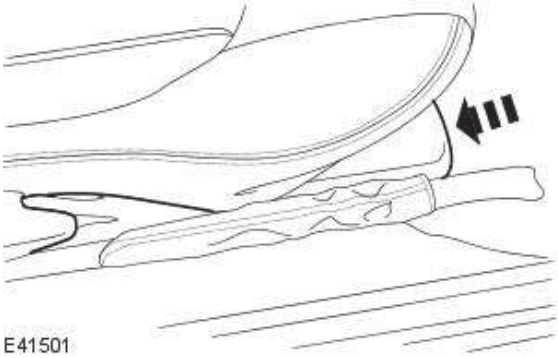
Install the front seat front retaining bolts.

- Tighten to 25 Nm.

**7.** Install the front seat base trim panel.



E33615



E41501