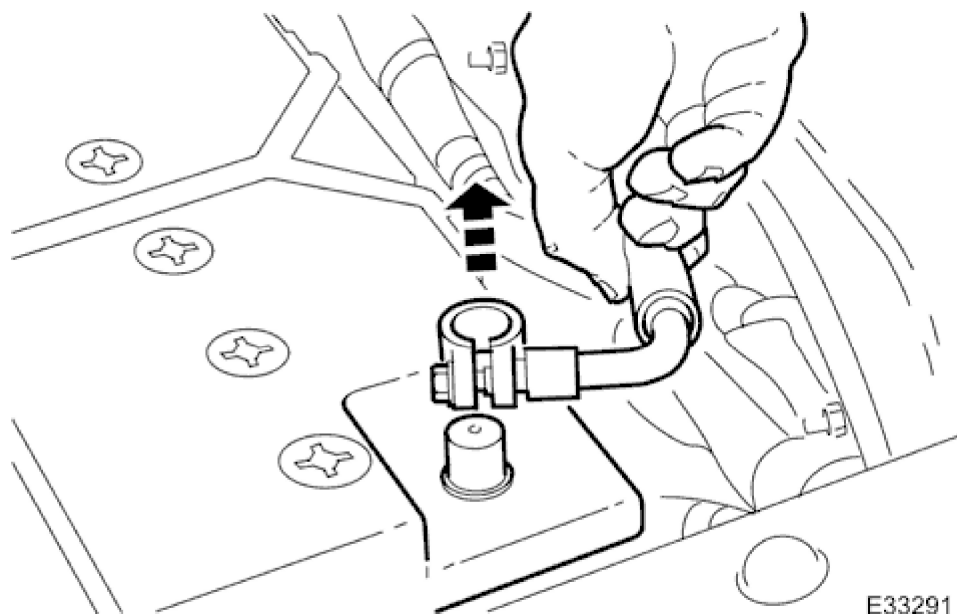


Driver Door Module (DDM) 86.80.29

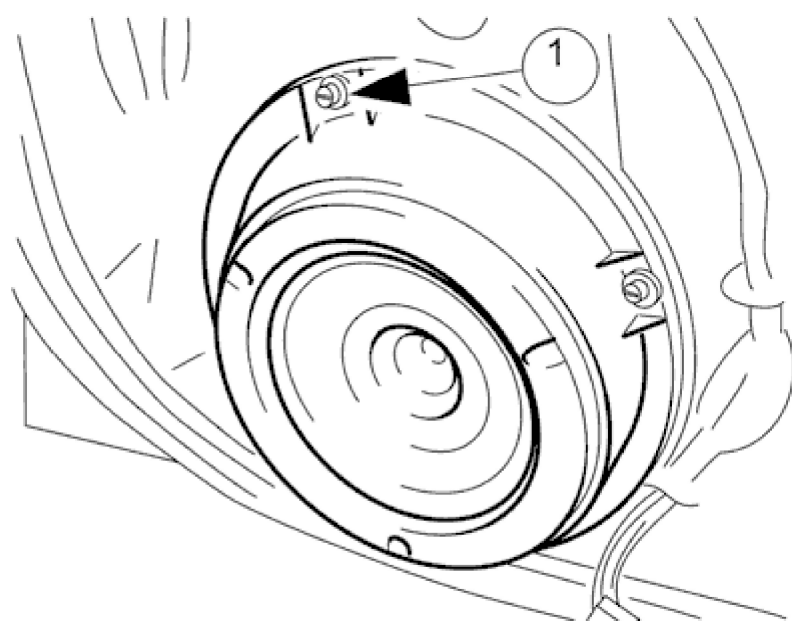
Removal

1. Open the driver's door, or both doors if necessary, to allow the side windows to drop. Ensure that the doors remain open until after the battery has been disconnected.

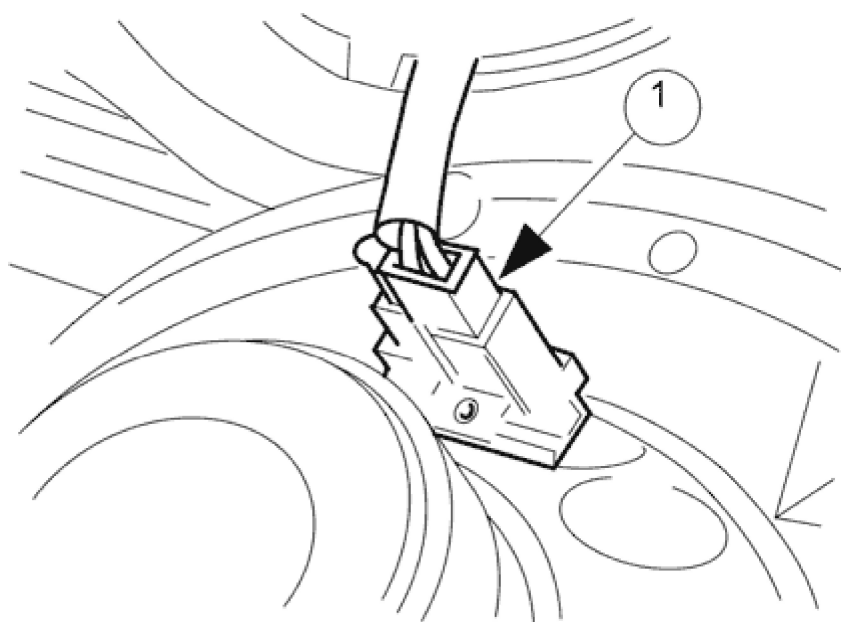


2. Disconnect the battery ground cable.
 - Remove the battery cover.

3. Remove the trim pad from the door; refer to Section <<501-05>>.



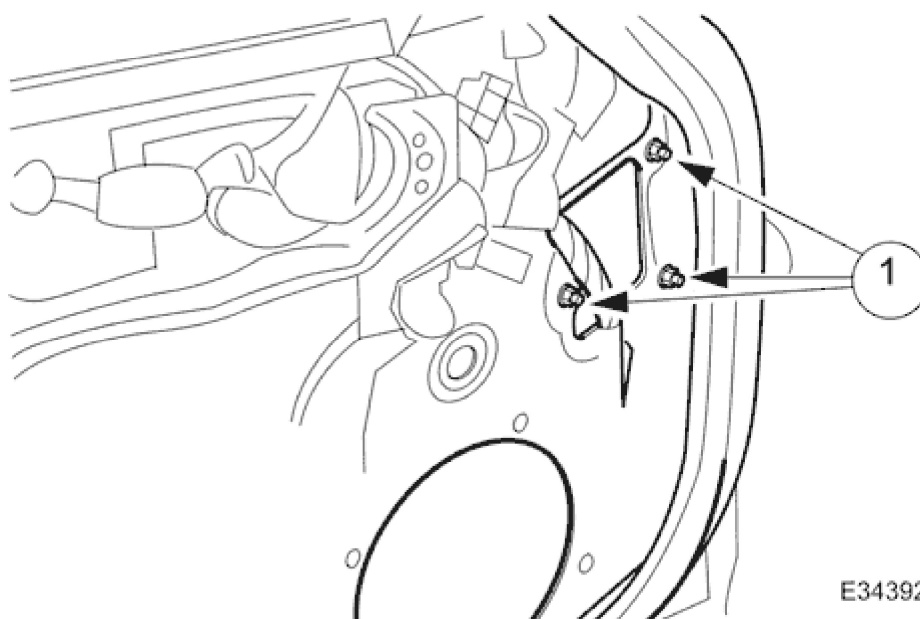
4. Remove the door speaker from the door.
 1. Remove the four bolts which secure the speaker.



E33320

5. Disconnect and remove the speaker.

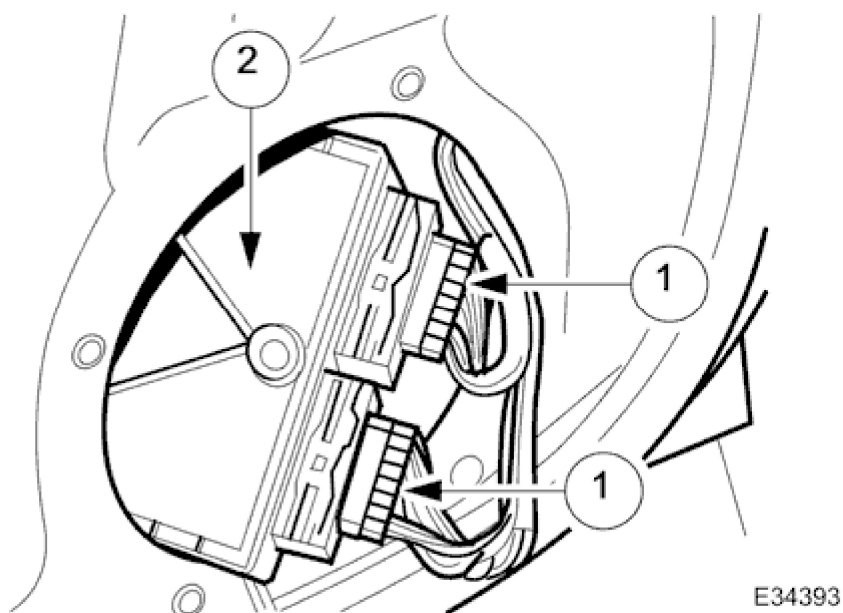
1. Support the speaker, disconnect the multi-plug and remove the speaker.



E34392

6. Disconnect the door module.

1. Remove the three screws which secure the module to the door.
 - Reposition the module outwards through the speaker aperture.



7. Disconnect the harness from the module.
1. Disconnect the two multi-plugs.
 2. Remove the module.

8. If necessary remove the foam gasket from the module; note that a new gasket must be fitted when installing a new module.

Installation

1. Installation is the reverse of removal.
2. Perform the Battery Reconnection Procedure described in Section <<414-01>>.