

Headlamp Adjustment Vehicles With: High Intensity Discharge Headlamps

1. Start and run the engine.

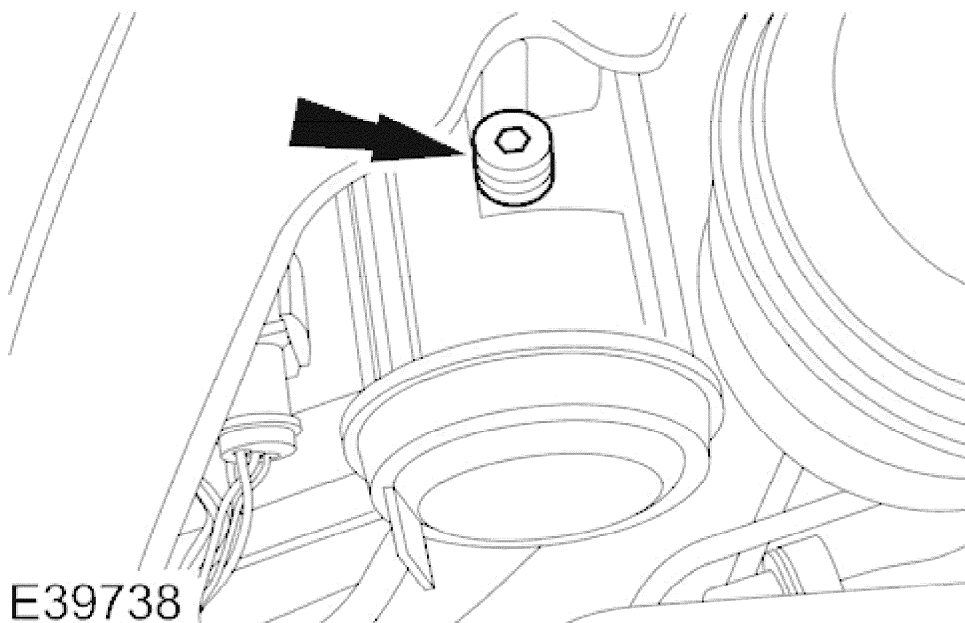
2. **NOTE:**

The headlamps must be switched **ON** for 30 seconds before carrying out this procedure to allow the headlamp bulb to warm up.

Switch on the low beam.

3. Prepare the vehicle for headlamp adjustment.

- Place the vehicle on a level surface.
- Before adjusting the headlamps, check them for faulty lenses, reflectors and blackened bulbs, and install new components as necessary.
- Make sure that the tires are inflated to the correct pressure. <<204-04>>
- The vehicle must be at normal unladen weight.
- Normalize the suspension.



E39738

4. Adjust the headlamps.