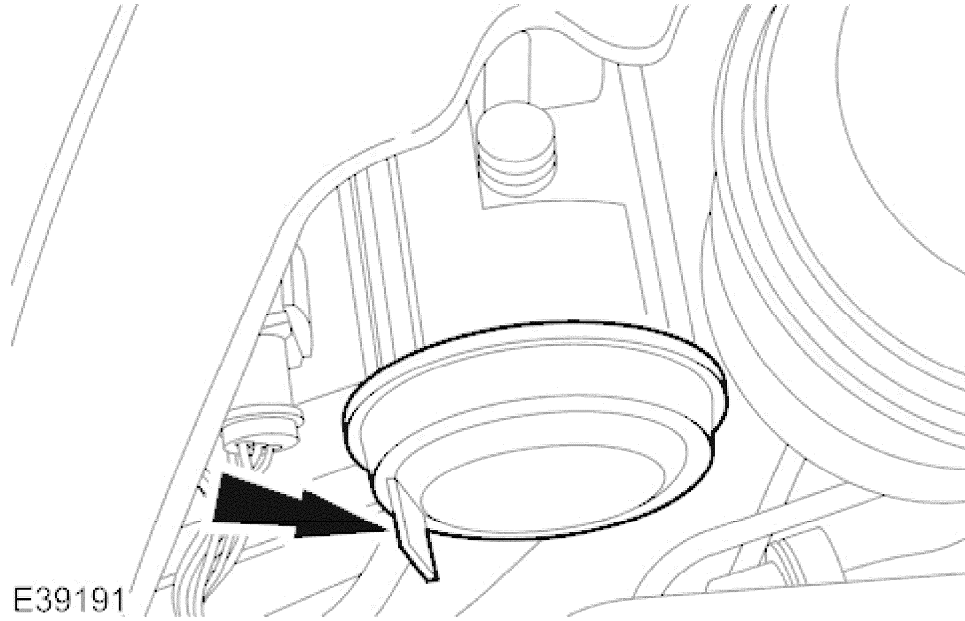


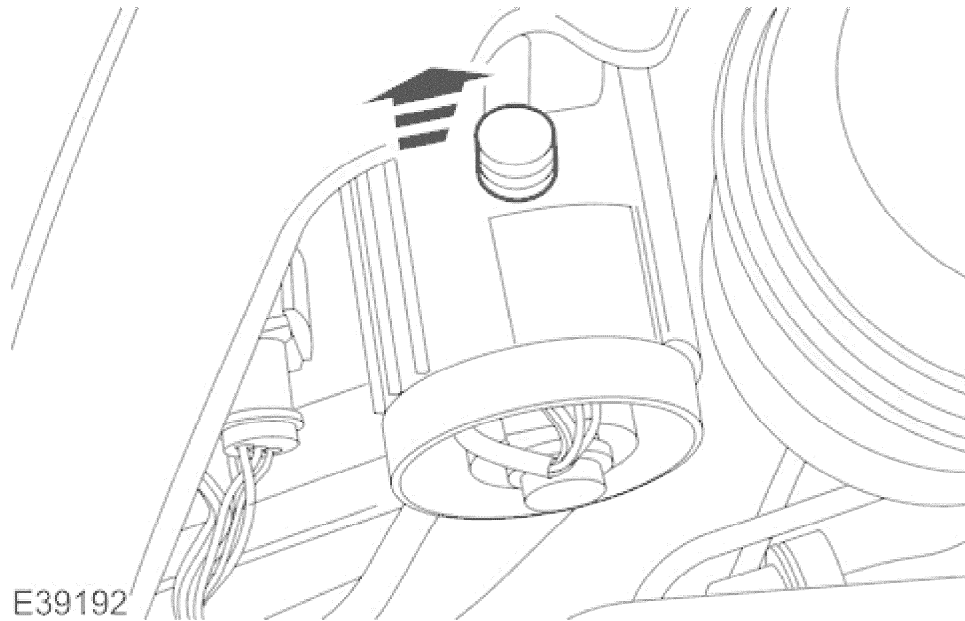
Headlamp Leveling Motor LH Vehicles With: High Intensity Discharge Headlamps 86.42.09

Removal



E39191

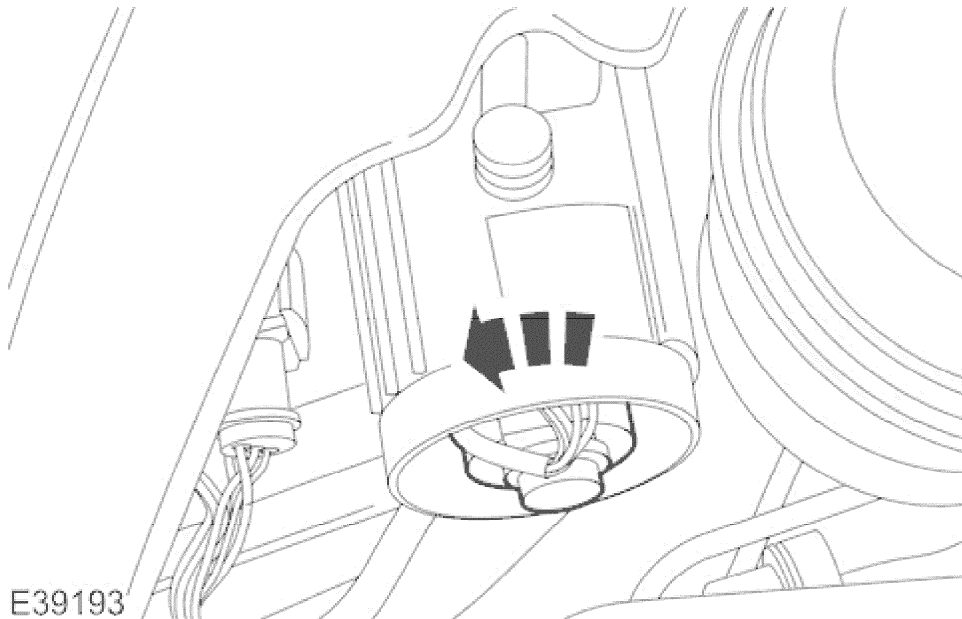
1. Remove the headlamp leveling motor cover.



E39192

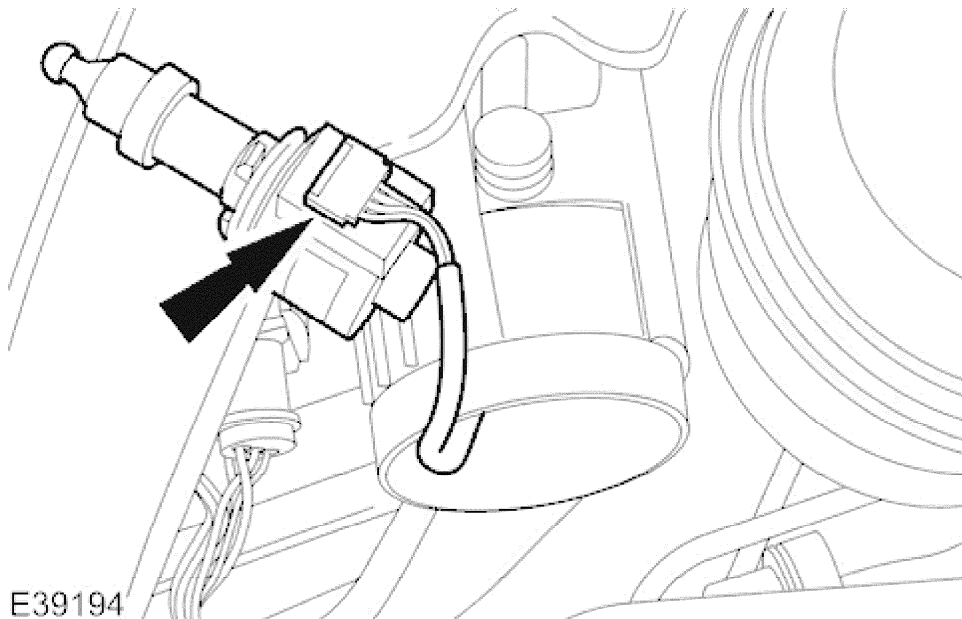
2. Raise the headlamp leveling motor adjustment screw.

2004 XK RANGE - Exterior Lighting - 417-01



E39193

3. Detach the headlamp leveling motor.



E39194

4. Remove the headlamp leveling motor.
• Disconnect the headlamp leveling motor electrical connector.

Installation

1. To install, reverse the removal procedure.
2. Adjust the headlamp. <<Headlamp Adjustment - Vehicles With: High Intensity Discharge Headlamps>>