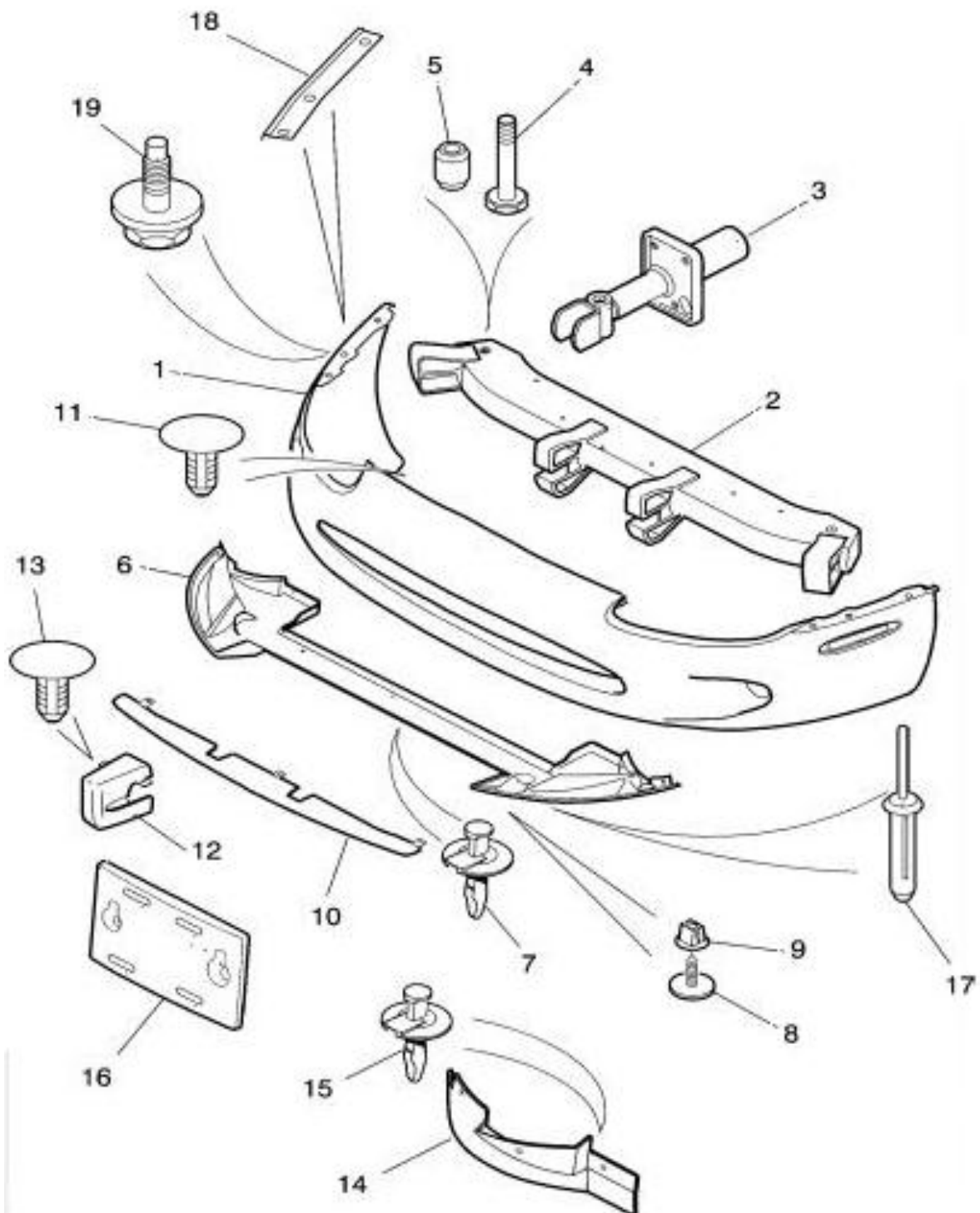


XK Coupe / Convertible – Canada & USA

Front Bumper



1	+	Bumper cover
2	+	Bumper beam
3	+	Bumper strut
4	+	Short thread hexagon bolt
5	+	Spacer
6	+	Undertray
7	+	Plastic rivet
8	+	Self tapping screw/washer
9	+	Lokut nut
10	+	Splitter vane
11	+	Fir tree clip
12	+	Cover
13	+	Fir tree clip
14	+	Wind deflector
15	+	Plastic rivet
16	+	Number plate plinth
17	+	Screw rivet