

**SERVICE**

**TECHNICAL BULLETIN**

Headlamp Misting –  
Improve Ventilation –  
Repair Procedure

MODEL  
1997-2004 MY  
XK Range  
VIN  
001001-A39841

Remove and destroy Bulletin 417-05 dated 12/01.  
Replace with this Bulletin.  
Revisions are marked with a bar and in **bold text**.

**Issue:**

Some 1997-**2004** MY XK vehicles may experience a build up of condensation in the headlamp assembly. A T-piece vent pipe can be installed to aid air circulation to reduce condensation in the headlamp.

**Action:**

In case of a customer complaint of condensation build-up within the headlight assemblies, install the a T-piece vent pipe, following the procedure below.

MODIFICATION PROCEDURE

1. Inspect headlamp to see if stub pipe is present (Illustration 1).

**Note:** If stub pipe is present, continue with workshop procedure from step 2, if stub pipe is not present, obtain a new headlamp assembly and continue from step 3.

**LOCATION OF STUB PIPE**

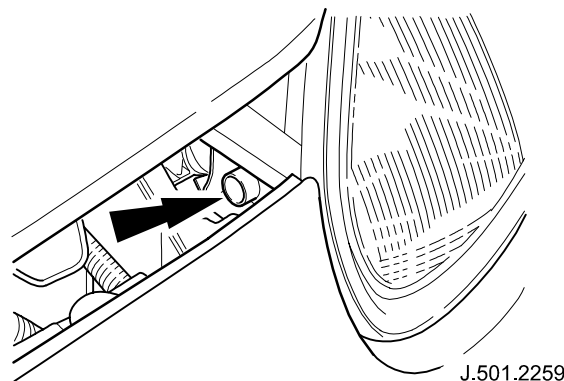


ILLUSTRATION 1

**NOTE: THE INFORMATION IN TECHNICAL BULLETINS IS INTENDED FOR USE BY TRAINED, PROFESSIONAL TECHNICIANS WITH THE KNOWLEDGE, TOOLS, AND EQUIPMENT TO DO THE JOB PROPERLY AND SAFELY. IT INFORMS THESE TECHNICIANS OF CONDITIONS THAT MAY OCCUR ON SOME VEHICLES, OR PROVIDES INFORMATION THAT COULD ASSIST IN PROPER VEHICLE SERVICE. THE PROCEDURES SHOULD NOT BE PERFORMED BY "DO-IT-YOURSELFERS." DO NOT ASSUME THAT A CONDITION DESCRIBED AFFECTS YOUR CAR. CONTACT A JAGUAR RETAILER TO DETERMINE WHETHER THE BULLETIN APPLIES TO YOUR VEHICLE.**

2. Remove headlamp assembly (see Workshop Manual, JTIS CD ROM section: 417-01, SRO 86.41.33 or 86.41.36).
3. Reposition headlamp so the stub pipe to be drilled is facing downward.

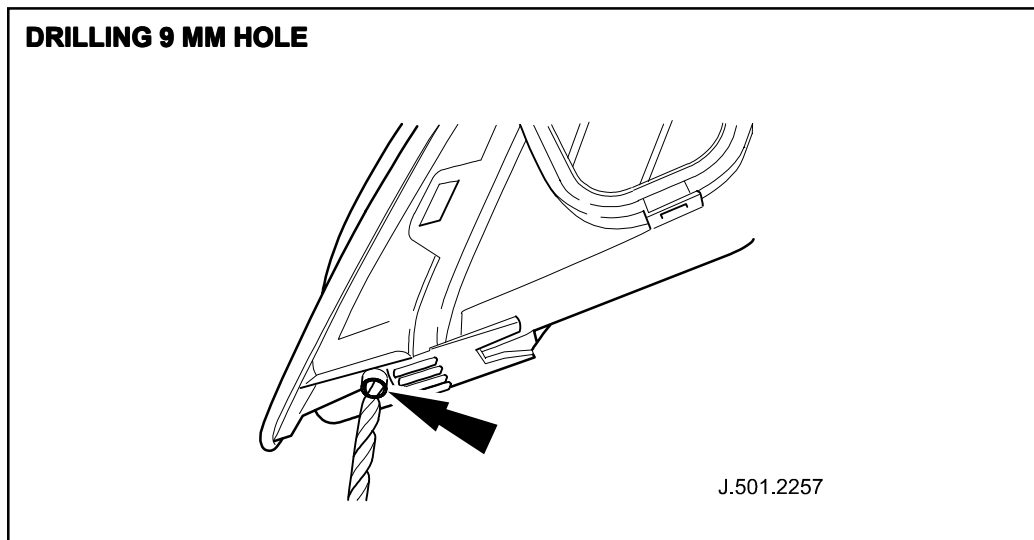


ILLUSTRATION 2

4. Carefully drill a 9 mm diameter hole upwards into headlamp using the stub pipe as a guide (Illustration 2).

**Note:** Maintain headlamp in the same orientation as for the drilling operation and shake out any drilling debris ensuring none remains in the headlamp.

5. Place headlamp on clean bench.
6. Install and align T-piece to stub pipe (Illustration 3).

**Note:** Ensure headlamp stub pipe and T-piece mating surfaces are free from oil and grease.

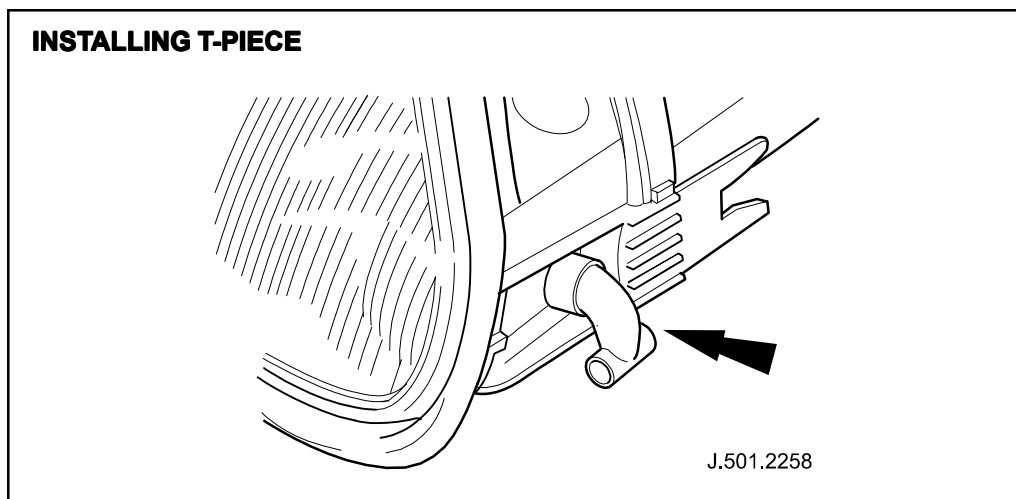


ILLUSTRATION 3

7. Install the headlamp assembly (see Workshop Manual, JTIS CD ROM section: 417-01, SRO 86.41.33 or 86.41.36).

**Global Technical Reference (GTR):**

Dealer Access: <https://hub.franchise.jaguar.com>

Internet access: <http://www.jaguartechno.com>

**Parts Information:**

<u>DESCRIPTION</u>	<u>PART NUMBER</u>	<u>QTY</u>
T-piece tube (per headlamp)	LJE 4133AA	1

**Warranty Information:**

Warranty claims should be submitted quoting the information found in the table below. This will result in payment of the stated time and, where applicable parts/miscellaneous expense codes as listed.

Description	SRO	Time	Causal Part Number
Install T-piece on LH Headlamp.	86.92.91	0.5 Hrs.	LJE 4133AA
Install T-piece on RH Headlamp.	86.92.91	0.5 Hrs.	LJE 4133AA
Install T-piece on headlamp Vehicle set.	86.92.92	0.8 Hrs.	LJE 4133AA