

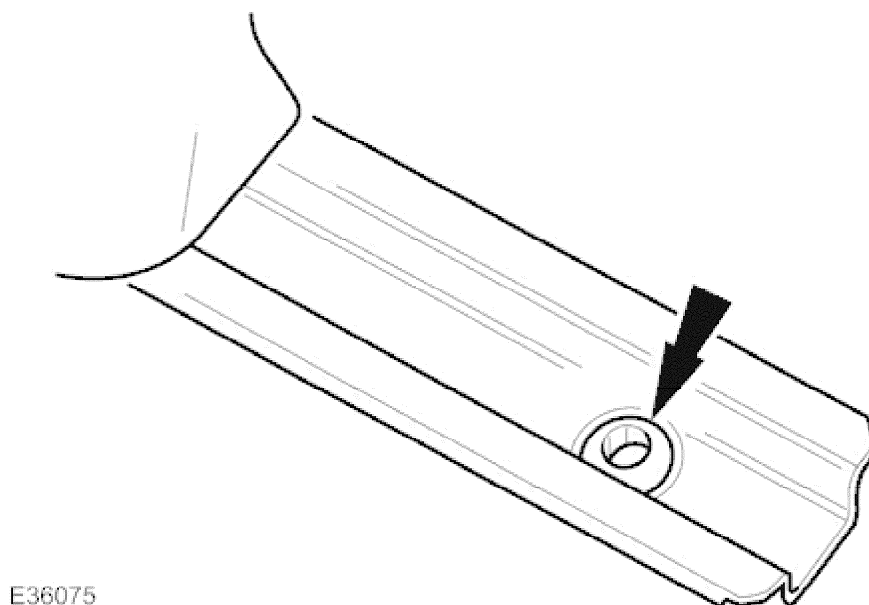
## Front Seat 76.70.01

### Removal

1. Turn ignition key to position II and motor seat to fully rearward position.

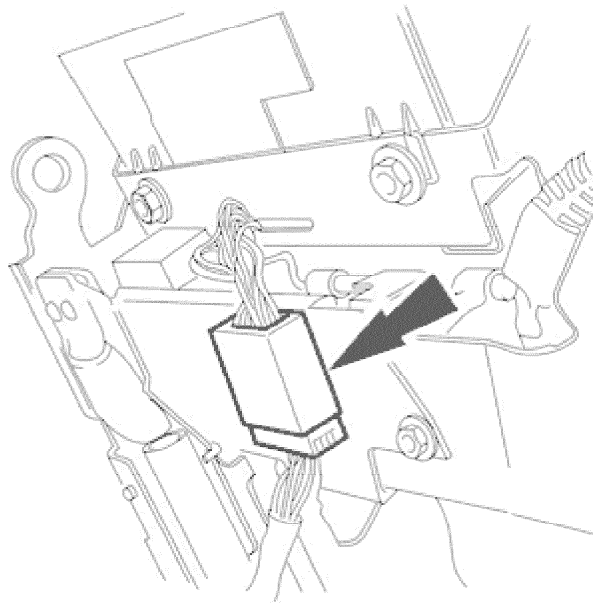


2. Slacken and remove the two seat front securing bolts.
3. Motor seat to fully forward position and turn ignition key to position O.
4. Remove battery cover and disconnect ground cable from battery terminal. Refer to <<86.15.19>>.



5. Slacken and remove the two seat rear securing bolts.

## 1998 XK RANGE - Seating - 501-10



E36077

6. Position front seat for access, disconnect seat harness multiplug and remove seat from vehicle.

### Installation

1. Position front seat in vehicle and connect seat harness multiplug.
2. Position seat to align bolt holes.
3. Fit the two seat rear securing bolts and screw them almost home but do not tighten.
4. Connect ground cable to battery terminal and install battery cover. Refer to <<86.15.15>>.
5. Turn ignition key to position II and motor seat fully rearward.
6. Fit and tighten the two seat front securing bolts.
7. Motor seat fully forward and fully tighten the rear securing bolts.
8. Motor seat to original position and turn ignition key to O.