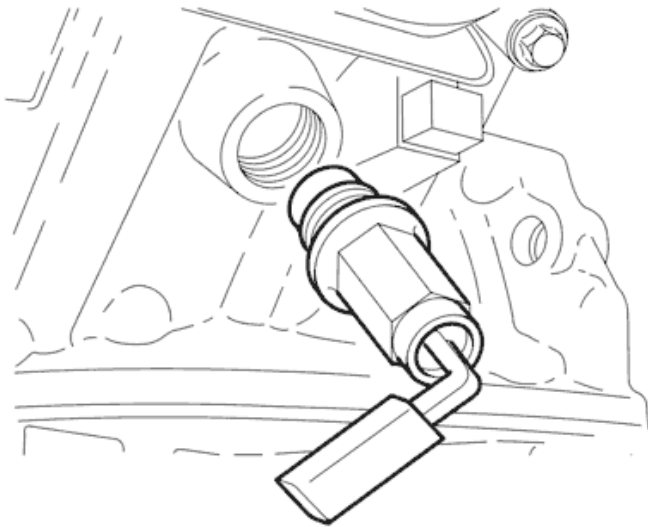


## Jaguar XK8 – Cylinder Block Heater

Cylinder Block Drain Plug/Heater Unit



The coolant drain plug is located on the rear left side of the cylinder block.

On vehicles supplied with a cold climate package (i.e. vehicles operating in conditions regularly below -30°C) a cylinder block heater unit is fitted instead of the drain plug.