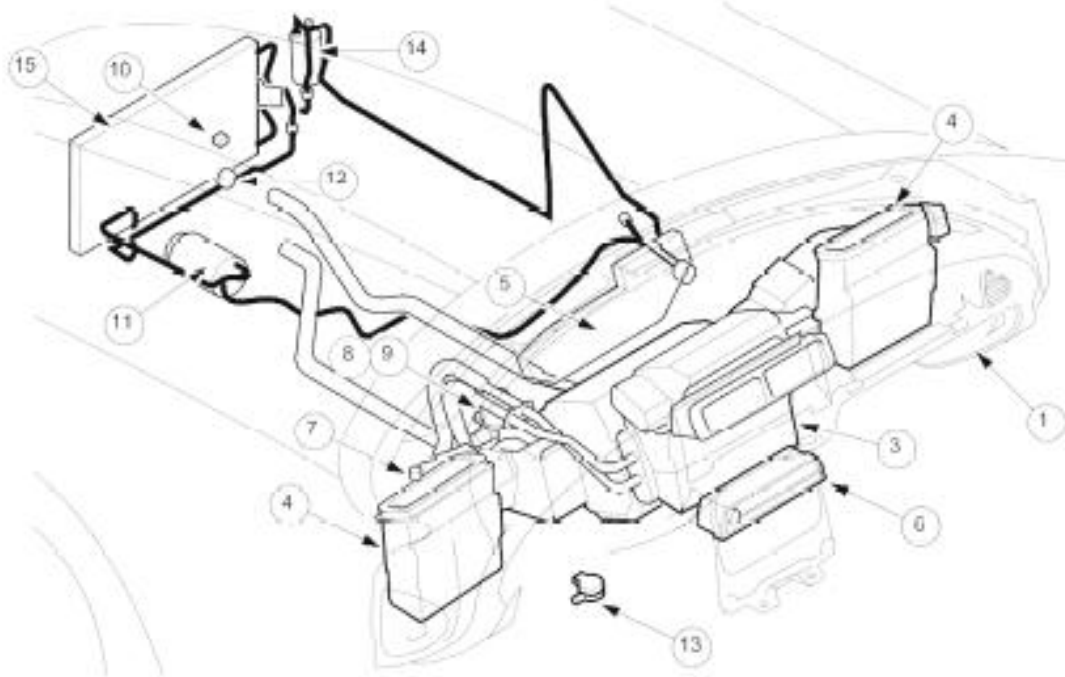


JAGUAR XK8

Heating & Ventilating – Component Location



Parts List

Item	Description
1	Fascia panel with integral ducting
2	Heater / cooler assembly
3	A/CCM
4	Blower LH and RH
5	Plenum
6	Control panel
7	Solar sensor (LHD shown)
8	Assembly valve - water
9	Assembly pump - water
10	Temperature sensor - external
11	Compressor
12	Pressure switch - 4 level
13	Motorized in-car aspirator (LHD shown)
14	Receiver drier
15	Condenser