

Fuel Filler Cap – Replace With Revised Specification Cap – Service Action S481

MODEL
2000 MY XK8 Range
2000 MY V8 XJ Series

VIN
A01447-A02339
F02496-F04190

Issue:

The fuel filler caps on specific 2000 MY XK8 and V8 XJ Series vehicles within the above VIN ranges, need to be replaced with a new filler cap. Refer to the specific VIN list at the back of this bulletin.

Action:

Perform this action before delivery of the vehicle, or at the next dealer visit.

If there is uncertainty whether the fuel filler cap requires replacing, check the following:

- Always perform a DCS claim search first to determine whether this service action has been performed on this vehicle. The warranty selection under the vehicle inquiry will give a listing of all claims against the vehicle. If S481 appears in the fault code field, do not perform this service action.
- Identify the date code on the fuel filler cap, as shown in Illustrations 1 and 2. Replace all fuel filler caps with dates prior to **13 10 99**.

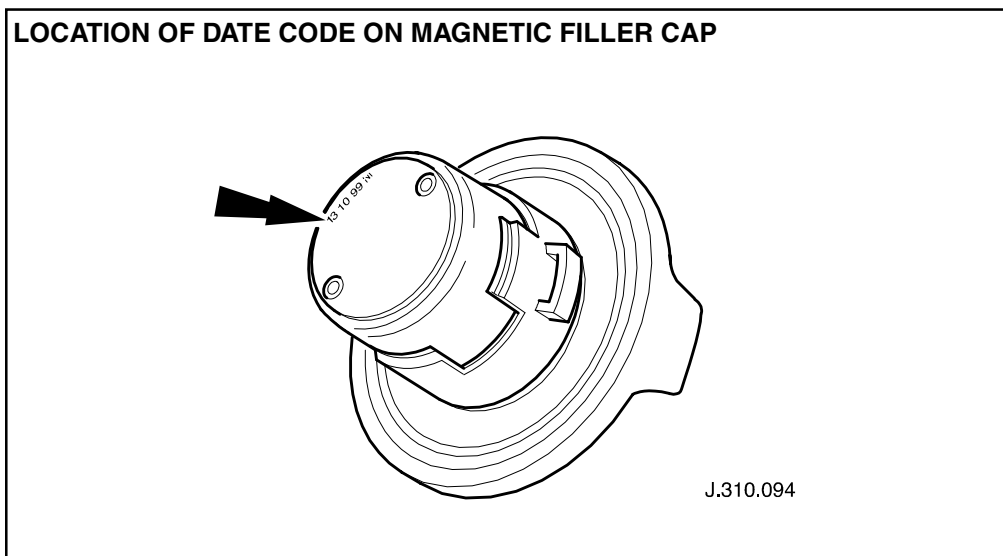
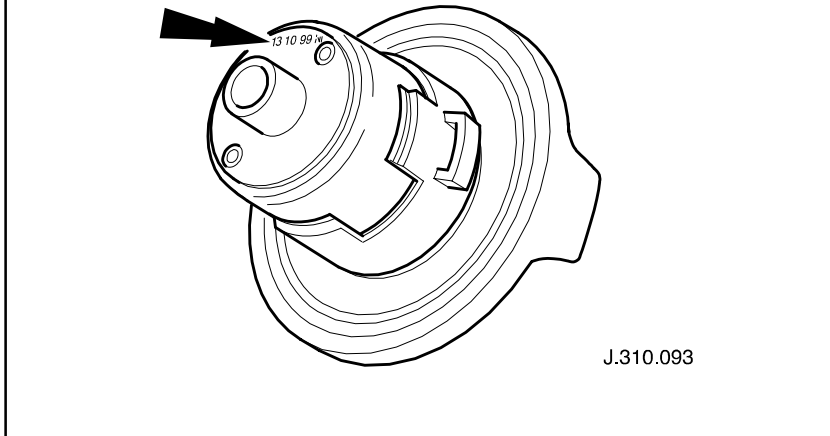


ILLUSTRATION 1

LOCATION OF DATE CODE ON PEG FILLER CAP



J.310.093

ILLUSTRATION 2

Parts Information:

<u>DESCRIPTION</u>	<u>PART NUMBER</u>	<u>QTY</u>
Fuel Filler Cap - Location Peg type - V8 XJ Series	NNE 5942 AB	1
Fuel Filler Cap - Magnetic type - XK8 Range	NJA 5942 AD	1

Warranty Information:

Service Action S481

<u>VEHICLE</u>	<u>SUMMARY CODE</u>	<u>R.O. NUMBER</u>	<u>DESCRIPTION ALLOWANCE</u>	<u>TIME</u>
2000 MY XK8 VIN A01447- A02339 Model codes 1830, 1840, 2830, 2840	VW	19.55.03	Replace fuel filler cap	0.10 hrs.

<u>DESCRIPTION</u>	<u>PART NUMBER</u>	<u>QTY</u>
Fuel Filler Cap - Magnetic type - XK8 Range	NJA 5942 AD	1

2000 MY XK8 VIN A01447- A02339 Model codes 1830, 1840, 2830, 2840	VX	19.55.03 10.10.10	Replace fuel filler cap Drive in/drive out	0.10 hrs. 0.15 hrs.
---	----	----------------------	---	------------------------

<u>DESCRIPTION</u>	<u>PART NUMBER</u>	<u>QTY</u>
Fuel Filler Cap - Magnetic type - XK8 Range	NJA 5942 AD	1

2000 MY V8 XJ Series VIN F02496- F04190 Model codes 2811, 2851, 2853, 2953	VY	19.55.03	Replace fuel filler cap	0.10 hrs.
--	----	----------	-------------------------	-----------

<u>DESCRIPTION</u>	<u>PART NUMBER</u>	<u>QTY</u>
Fuel Filler Cap - Location Peg type - V8 XJ Series	NNE 5942 AB	1

2000 MY V8 XJ Series VIN F02496- F04190 Model codes 2811, 2851, 2853, 2953	VZ	19.55.03 10.10.10	Replace fuel filler cap Drive in/drive out	0.10 hrs. 0.15 hrs.
--	----	----------------------	---	------------------------

<u>DESCRIPTION</u>	<u>PART NUMBER</u>	<u>QTY</u>
Fuel Filler Cap - Location Peg type - V8 XJ Series	NNE 5942 AB	1

VIN LIST

Only those vehicles listed below are to be modified.

Jaguar Mexico

A01472 F02917 F02947

Jaguar Canada

F02505 F02546 F02600 F02628 F02630 F02891
F02914 A01515 A01528 A01545 A01561 A01600
A01611 F02500 F02800 F03037 F03183 F03218
A01524 A01533 A01593 A01596 A01626 A01535

Jaguar Cars North America

F03031 F03114 F02511 F02529 F02534 F02538
F02540 F02543 F02555 F02559 F02564 F02574
F02579 F02588 F02591 F02595 F02601 F02604
F02607 F02609 F02615 F02619 F02624 F02633
F02640 F02645 F02646 F02649 F02652 F02654
F02660 F02664 F02669 F02673 F02675 F02678
F02681 F02685 F02690 F02691 F02694 F02697
F02699 F02705 F02709 F02714 F02718 F02720
F02723 F02726 F02730 F02735 F02736 F02739
F02744 F02750 F02754 F02765 F02771 F02775
F02780 F02781 F02787 F02789 F02799 F02810
F02813 F02816 F02825 F02826 F02829 F02832
F02834 F02840 F02844 F02849 F02850 F02853
F02855 F02856 F02858 F02859 F02861 F02865
F02870 F02874 F02877 F02883 F02885 F02888
F02889 F02900 F02903 F02906 F02910 F02915
F02918 F02924 F02929 F02932 F02938 F02945
F02948 F02950 F02953 F02954 F02957 F02962
F02965 F02966 F02968 F02969 F02972 F02987
F02989 F02994 F02997 F03011 F03018 F03020
F03026 F03029 F03030 F03035 F03039 F03045
F03054 F03058 F03069 F03070 F03073 F03074
F03080 F03082 F03088 F03094 F03113 F03122
F03127 F03155 F03160 F03178 F03188 F03194
F03211 F03304 F03391 F03528 A01449 A01450
A01452 A01453 A01455 A01459 A01462 A01465
A01468 A01471 A01473 A01474 A01476 A01479
A01483 A01486 A01488 A01492 A01495 A01498
A01501 A01503 A01504 A01506 A01507 A01509

A01516	A01519	A01525	A01534	A01536	A01537
A01539	A01540	A01542	A01548	A01549	A01551
A01552	A01554	A01558	A01564	A01567	A01569
A01570	A01573	A01575	A01578	A01581	A01582
A01584	A01585	A01587	A01594	A01597	A01602
A01605	A01606	A01614	A01617	A01618	A01620
A01624	A01627	A01630	A01636	A01638	A01639
A01648	A01650	A01653	A01657	A01660	A01663
A01665	A01669	A01674	A01675	A01678	A01680
A01681	A01683	A01684	A01690	A01693	A01695
A01698	A01699	A01702	A01705	A01708	A01711
A01714	A01717	A01722	A01723	A01728	A01732
A01734	A01738	A01750	A01761	A01762	A01765
A01771	A01780	A01783	A01789	A01794	A01797
A01801	A01803	A01804	A01813	A01840	A02037
A01463	A01466	A01490	A01493	A01496	A01511
A01526	A01532	A01544	A01556	A01559	A01565
A01577	A01589	A01592	A01598	A01610	A01622
A01628	A01655	A01661	A01673	A01676	A01685
A01709	A01712	A01745	A01811	F02503	F02512
F02515	F02524	F02536	F02551	F02584	F02737
F02764	F02782	F02797	F02809	F02818	F02860
F02866	F02869	F02872	F02881	F02887	F02899
F02911	F02916	F02931	F02961	F02964	F02976
F02988	F03017	F03126	F03132	F03150	F03186
F03303	F02506	F02509	F02527	F02530	F02533
F02545	F02548	F02554	F02560	F02578	F02590
F02605	F02611	F02614	F02620	F02623	F02626
F02638	F02644	F02650	F02656	F02659	F02665
F02668	F02671	F02680	F02689	F02695	F02701
F02704	F02710	F02713	F02716	F02725	F02728
F02734	F02740	F02746	F02749	F02755	F02761
F02770	F02773	F02779	F02785	F02791	F02794
F02803	F02806	F02815	F02824	F02827	F02836
F02839	F02851	F02854	F02863	F02875	F02884
F02890	F02893	F02896	F02905	F02908	F02913
F02919	F02925	F02928	F02934	F02937	F02943
F02949	F02955	F02970	F02973	F02979	F02982
F02985	F02993	F03001	F03012	F03021	F03034
F03040	F03044	F03047	F03059	F03061	F03066
F03068	F03078	F03081	F03087	F03090	F03099
F03105	F03108	F03117	F03138	F03147	F03162

F03168	F03171	F03180	F03213	F03216	F03228
F03231	F03252	F03306	F03362	F03383	F03467
F02612	F02622	F02627	F02637	F02642	F02648
F02657	F02667	F02672	F02682	F02693	F02702
F02706	F02732	F02738	F02747	F02751	F02757
F02772	F02777	F02783	F02822	F02837	F02847
F02852	F02862	F02867	F02873	F02882	F02921
F02926	F02930	F02941	F02944	F02956	F02963
F02971	F02975	F02981	F02986	F02996	F03003
F03015	F03086	F03092	F03100	F03107	F03121
F03170	F03184	A01447	A01456	A01458	A01461
A01467	A01477	A01480	A01489	A01497	A01500
A01513	A01522	A01530	A01546	A01555	A01560
A01563	A01566	A01576	A01588	A01599	A01609
A01612	A01621	A01623	A01629	A01632	A01645
A01659	A01662	A01687	A01704	A01713	A01716
A01719	A01737	A01743	A01752	A01755	A01776
A01791	A01451	A01550	A01616	A01640	A01649
A01652	A01670	A01721	A01757	A01769	A01799
A01802					

NOTE: Always perform a DCS claim search first to determine whether this service action has been performed on this vehicle. The warranty selection under the vehicle inquiry will give a listing of all claims against the vehicle. If S481 appears in the fault code field, do not perform this service action.

CLAIM SUBMISSION PROCEDURE:

Warranty summary codes have been assigned to this service action in order to simplify claim submission. The dealership will be reimbursed the parts and labor time allowance as indicated.

DCS DEALERS

Submit claims using the appropriate summary code for the vehicle model and work performed. Follow standard campaign submission procedures.

NON-DCS DEALERS

Submit claims on the Recall Campaign Summary form W-25. Enter the appropriate summary code for the vehicle model and work performed in the Repair Code column. Do not use the W-1 warranty claim form.