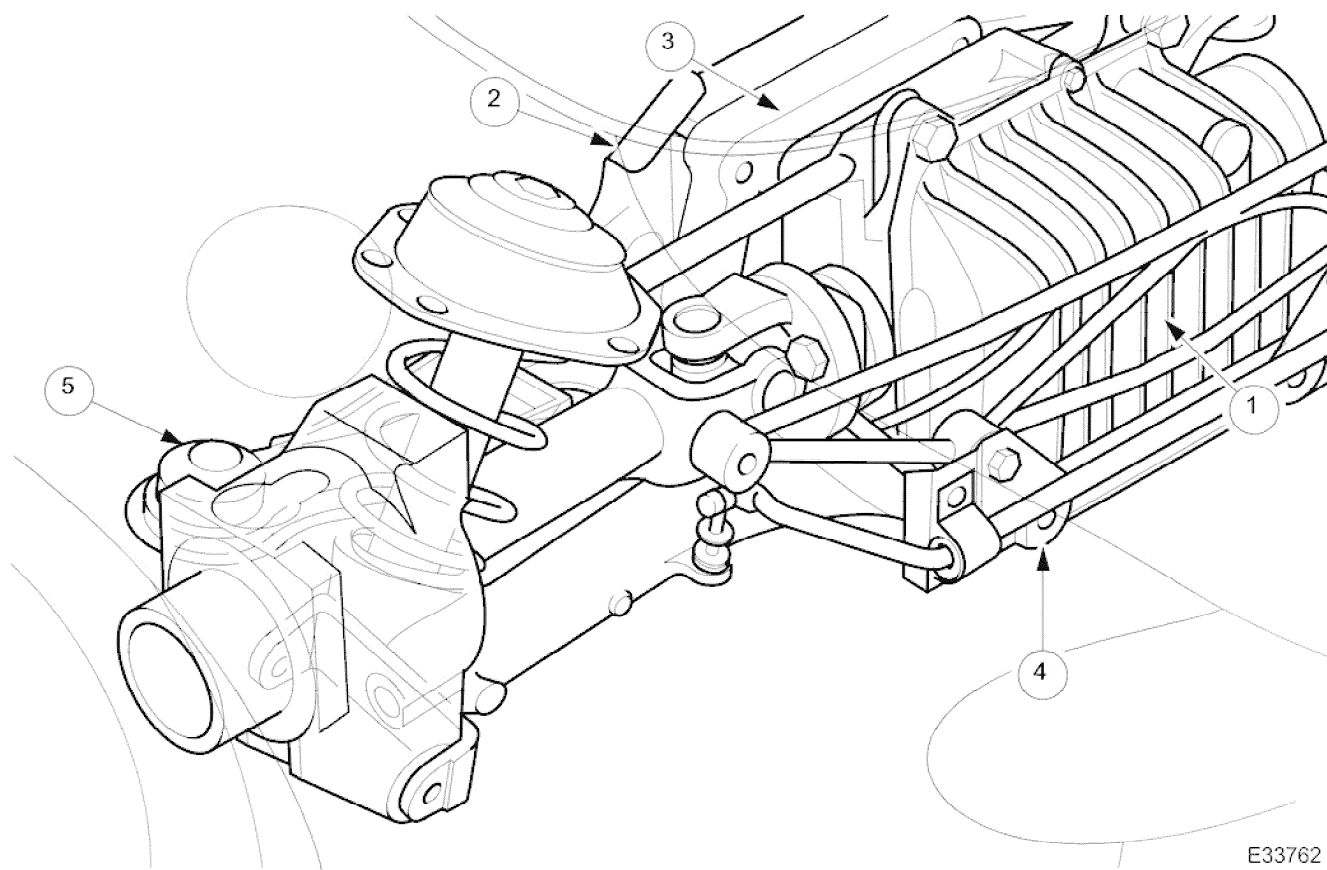


## Rear Drive Axle and Differential

### Final Drive Mounting



### Parts List

Item	Description
1	Final Drive Unit
2	Wide Mounting Bracket
3	Pendulum Assembly
4	Wishbone Tie Assembly
5	'A' Frame

The type 14 HU final drive assembly is a hypoid unit with the pinion arranged on the cross-car centerline. It utilizes a cassette type pinion oil seal and sealed output shaft bearings.

The assembly is filled for life using a thermally stable lubricant.

The differential unit is mounted between the wide mounting bracket, pendulum assembly and the wishbone tie assembly. Two tie rods are fitted between top rear of the final drive casing and the front of the wide mounting bracket.