

JAGUAR

Parts Catalogue

JAGUAR XK8 & XKR

2000 Model Year

Part No JLM21270

Whilst every effort is made to ensure the accuracy of the particulars contained in this Manual the Manufacturing Companies will not, in any circumstances, be held liable for any inaccuracies or the consequences thereof.

© Jaguar Cars Ltd 1999

All rights reserved. No part of this publication may be reproduced, stored in a retrieval system or transmitted in any form, whether by electronic, mechanical, photocopying, recording or other means without the permission of Jaguar Cars Limited.

Replacement parts that are not of genuine Jaguar supply cannot be relied upon to be of correct specification, material, and workmanship and therefore Jaguar cannot be expected to extend warranty to vehicles which have been fitted with parts not supplied by them.

Jaguar reserves the right to make changes or improvements in the construction or specification of their products at any time.

IN ORDER TO ENSURE PROMPT AND CORRECT EXECUTION OF YOUR ORDERS, IT IS ESSENTIAL TO QUOTE:

1. The relative Unit Number, together with prefixes, suffixes and specification references where applicable.
e.g. Axle, Body, Vehicle Identification, Engine, Gearbox Numbers etc.
2. The Part Number and description (prefix and suffix letters to Part Numbers must always be quoted).
3. Always state the colour of carpets, painted items, trim items etc., using the colour code from the Vehicle Identification Number (VIN) plate and the colour combination key to identify the colour name.
4. The quantity required bearing in mind that the quantities shown are those used in the application actually illustrated. Sometimes only minimum package quantities are available. These packs may well contain more parts than are required for a single job; for details of packaged quantities, see the Service Parts List.

THE LISTING OR ILLUSTRATING OF AN ITEM DOES NOT GUARANTEE ITS AVAILABILITY.

INDEX TO INTRODUCTION SECTION

MICROFICHE PAGE REFERENCE	PAGE TITLE	REMARKS
B03	GEOGRAPHICAL GROUPINGS	Country groupings used in the parts list are referenced on this page.
B04	STANDARD ABBREVIATIONS	Standard abbreviations used in the microfiche text are referenced on this page.
B05	VEHICLE IDENTIFICATION NUMBERING SYSTEM (GLOBAL)	VIN Serial letters and numbers explained. VIN plate location.
B06	Model Year VIN NUMBERS	Details of Model Year Commencing VIN Numbers
B07	MAJOR INIT IDENTIFICATION NUMBERS	Location of Engine Serial Numbers.
B08	CONTROL MODULE LOCATIONS	Location of Control Modules.
B09	BODY COLOUR CODES	Body colours.
B10	TRIM COLOUR CODES	Denotes trim colour code applicable to this vehicle
B11	TRIM COLOUR COMBINATION CHART-CLASSIC	Denotes trim colour ranges applicable to specific areas of the vehicle interior.
B12	TRIM COLOUR COMBINATION CHART-SPORT	Denotes trim colour ranges applicable to specific areas of the vehicle interior.
B13	HOOD COLOUR	Denotes Details of hood colour to interior/exterior colour.

STANDARD ABBREVIATIONS

ABBREVIATIONS: Standard abbreviations are used in this parts list, as shown below:

(B)	Body number	mm	millimetres
(E)	Engine number	mph	Miles per hour
(G)	Gearbox number	NLA	No longer available from Jaguar Cars Limited
(V)	Vehicles Identification number (VIN)	No.	Number
AR	As required	NSP	Non-serviceable part
BSP	British Standard Pipe	NSS	Not supplied separately
cm	Centimetre	o/d	Outside diameter
COB	Clear over base paint technology	O/S	Oversize
dia	Diameter	pr	Pair
EGR	Exhaust Gas Regulating	psi	Pounds square/inch
HC	High compression	RH	Right-hand
i/d	Inside diameter	RHD	Right-hand drive
KG	Kilogram	RTV	Room temperature Vulcanising
kph	Kilometres per hour	ST	Self tapping
LC	Low compression	STD	Standard
LCD	Liquid Crystal Display	TV	Television
LH	Left-hand	U/S	Undersize
LHD	Left-hand drive	UK	United Kingdom
LP	Low pressure	VEMS	Vehicle Emergency Message System
LWB	Long wheel base (Majestic)	<u>VICS</u>	<u>Vehicle Information Communication System</u>
m	metres		
MAP	Manifold Air Pressure		
MHZ	Megahertz		

PART NUMBER SUFFIX LETTERS

E	Exchange scheme/remanufactured units
N	New condition (ie not exchange)
R	Remanufactured unit

VEHICLE IDENTIFICATION NUMBERING SYSTEM (GLOBAL)

The Vehicle Identification Number comprises a series of letters and numbers representing in code such information as Marque, Model Range, Class, Engine type etc.

The code for the Jaguar 4.0 litre is as follows:

PREFIX 1 to 3

World manufacturing Identifier

SAJ = Jaguar

PREFIX 4

Market & Airbag Spec

A = Rest of World (1)

B = Canada (1)

D = USA (1)

F = Canada (1)

J = USA (2)

K = Japan (1)

P = Mexico (1)

R = Mexico (2)

PREFIX 5

Transmission & Steering

A = Automatic LHS

C = Automatic RHS

PREFIX 6 & 7

Body Code

41 = X100 2 door Coupe

42 = X100 2 door Convertible

PREFIX 8

Emission

A = V8 emission D

B = V8 emission A S/C

(USA/CANADA)

C = V8 emission L (USA/CANADA)

E = V8 emission C

F = V8 emission C

G = V8 emission C

H = V8 emission C

J = V8 emission A S/C

PREFIX 9

Check Digit?

PREFIX 10

Model or Year Change

Y = 2000 Model Year

1 = 2001 Model Year

2 = 2002 Model Year

3 = 2003 Model Year

PREFIX 11

Assembly Plant

C = Browns Lane AJ26

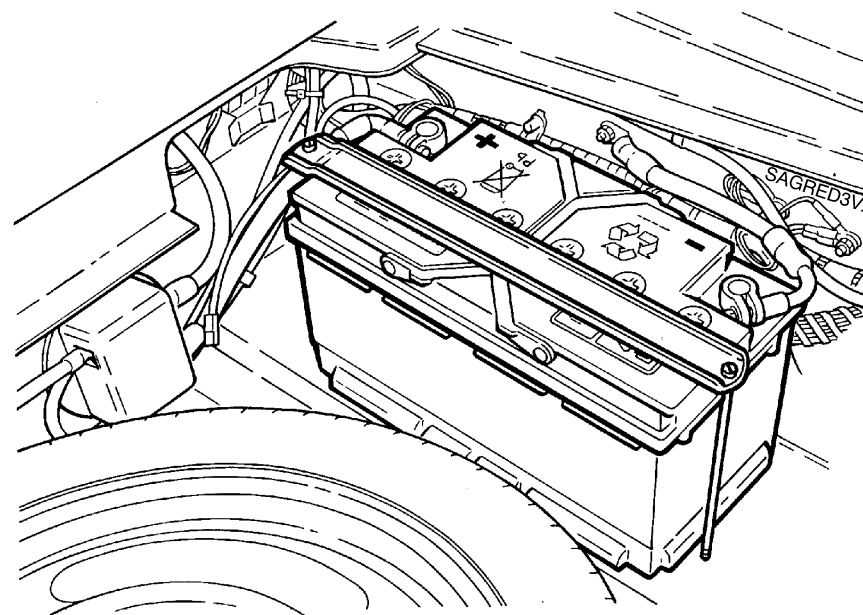
E = Browns Lane AJ26 S/C

N = Browns Lane AJ27

P = Browns Lane AJ27 S/C

PREFIX 12 to 17

Production Serial Number



1. Markets have twin depowered airbags and side airbag as standard.
 2. Markets have depowered passenger airbag and standard driver's airbag.
- Brazil use digit 10 as year of build

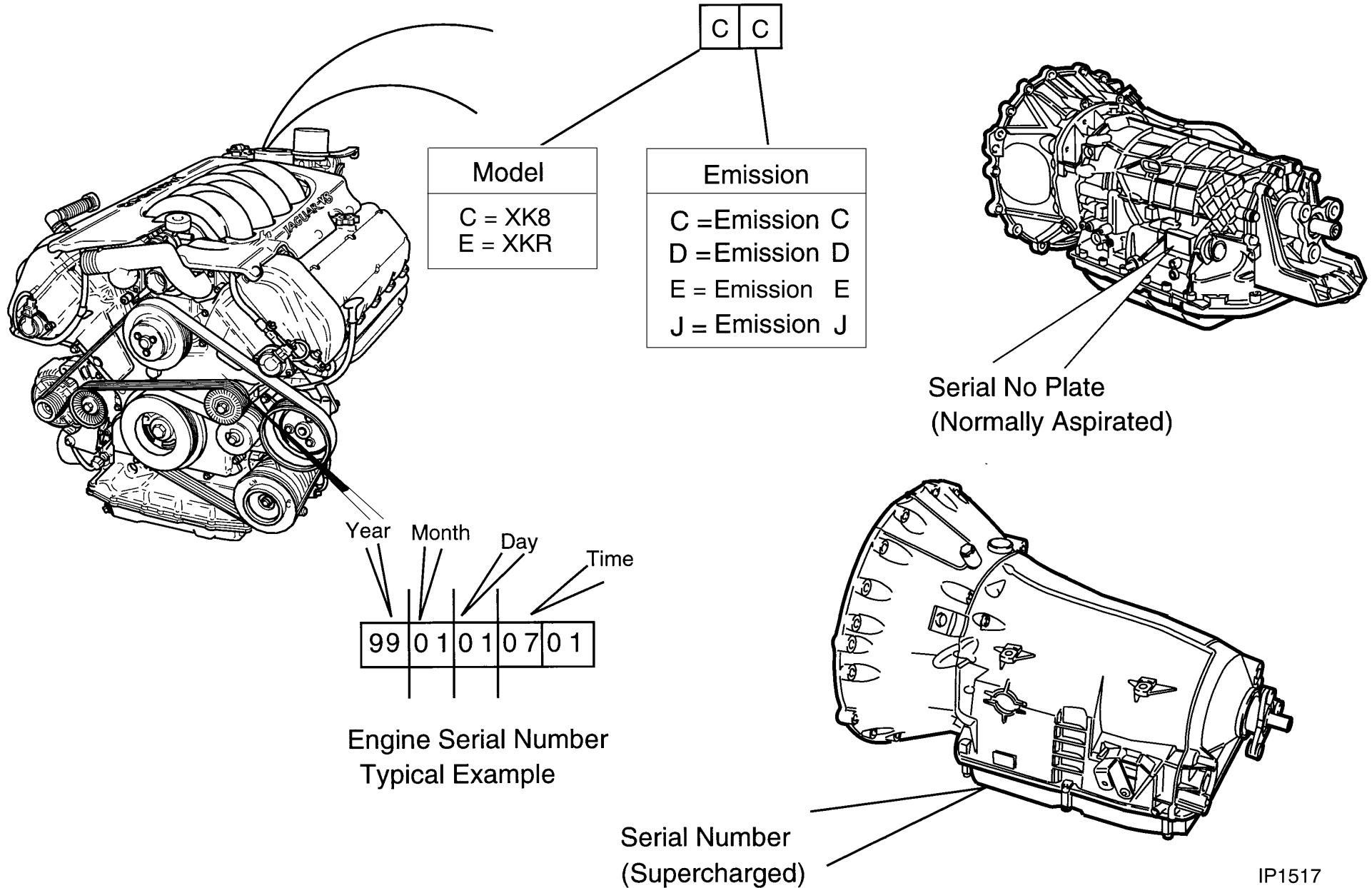
MODEL YEAR VIN NUMBERS

2000MY From (V) A00083 Up To (V) A11050

2001MY From (V) A11051 Up To (V) A24195

2002MY From (V) A24196 Up To (V) A30644

UNIT IDENTIFICATION NUMBERING SYSTEM



CONTROL MODULE LOCATIONS

INSTRUMENT
CONTROL
MODULE
L.H STEERING SHOWN

ENGINE CONTROL
MODULE

BODY PROCESSOR
CONTROL MODULE

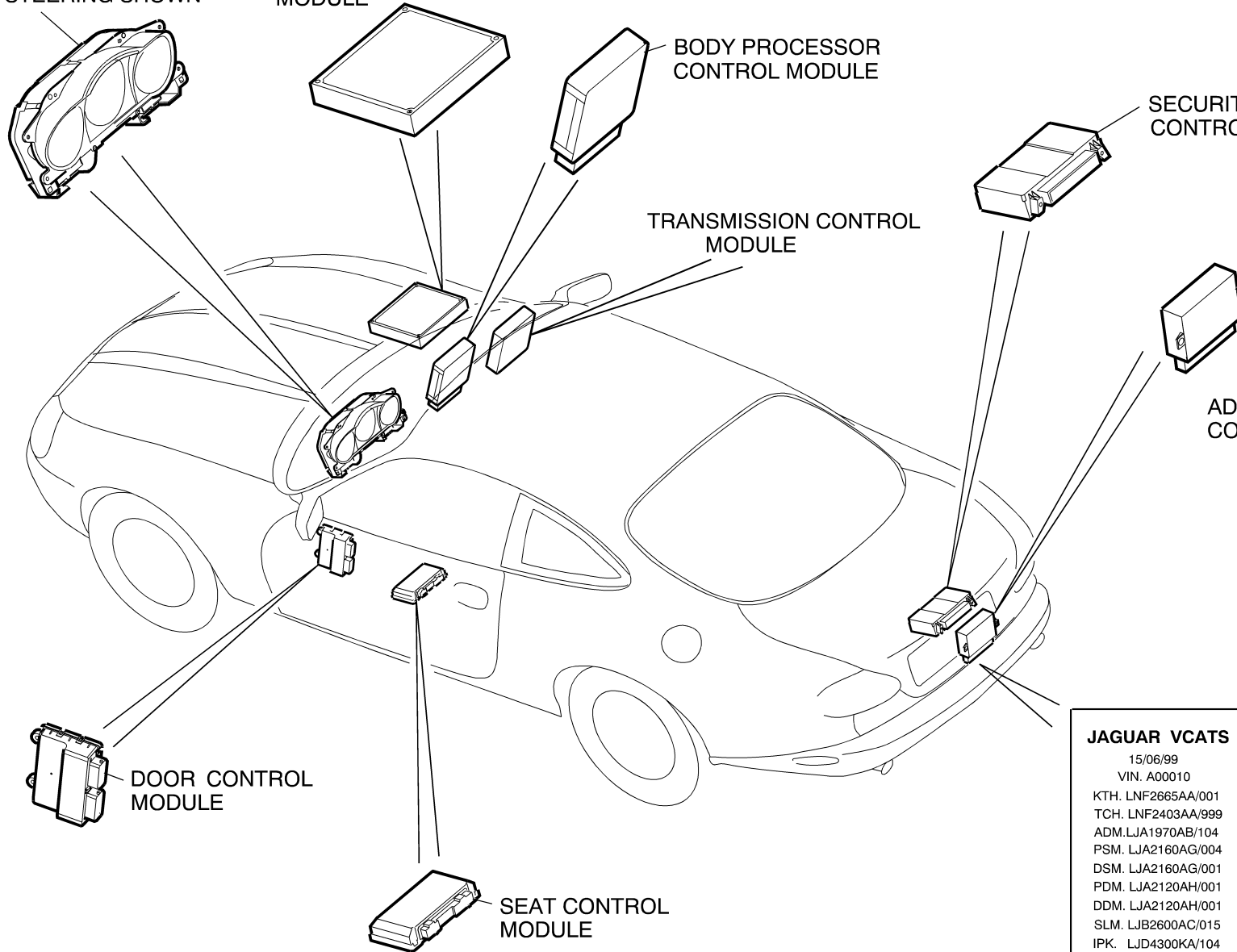
SECURITY/LOCKING
CONTROL MODULE

TRANSMISSION CONTROL
MODULE

ADAPTIVE DAMPING
CONTROL MODULE

DOOR CONTROL
MODULE

SEAT CONTROL
MODULE



JAGUAR VCATS

15/06/99

VIN. A00010

KTH. LNF2665AA/001

TCH. LNF2403AA/999

ADM. LJA1970AB/104

PSM. LJA2160AG/004

DSM. LJA2160AG/001

PDM. LJA2120AH/001

DDM. LJA2120AH/001

SLM. LJB2600AC/015

IPK. LJD4300KA/104

BPH. LJB2500AE/163

ECM. LNF140AA/103

IP1518

TRIM CODES

LEATHER

	CODE
CASHMERE	SDZ
IVORY	NED
NIMBUS	LFJ
OATMEAL	AGD
WARM CHARCOAL	NDR

SCULPTURED FABRIC

OATMEAL	AGF
WARM CHARCOAL	LGE

CARPETS

FLINT	LFN
SABLE	AEK
SHADOW GREY	

HOODS

BLACK	PDM
BLUE	JFF
DARK BEIGE	AEV
GREEN	HFV
LIGHT BEIGE	ANR

FACIA

	CODE
ANTELOPE/OATMEAL	AGK
SABLE/CASHMERE	AET
SABLE/IVORY	AES
SLATE/NIMBUS	LGG
WARM CHARCOAL/IVORY	LGJ
WARM CHARCOAL/NIMBUS	LGK
WARM CHARCOAL/OATMEAL	LGH
WARM CHARCOAL/WARM CHARCOAL	LEG

SEAT BELTS

WARM CHARCOAL	LEG
OATMEAL	AGD
NIMBUS	LFJ

HEADLINING

OATMEAL	AGD
NIMBUS	LFJ

BODY COLOUR CODES

BODY COLOUR	JBC No.
	Waterborne
ALPINE	1880 (HGF)
ANTHRACITE	1859 (PED)
BLACK	1807 (PEC)
BRITISH RACING GREEN	1753 (HGD)
CARNIVAL	1811 (CGC)
EMERALD	1895(HGG)
MISTRAL	1861(JHJ)
PACIFIC	1905(JHM)
PHOENIX RED	1924 (CGL)
PLATINUM	1916(MDZ)
SAPPHIRE	1806 (JHE)
SEAFROST	1860(MDV)
SPINDRIFT	1732 (NEE)
TITANIUM	1810 (LGL)
TOPAZ	1820 (SEC)
WESTMINSTER	1712(JHG)

TRIM COLOUR COMBINATION CHART - SPORTS

OVERALL INTERIOR COLOUR DESCRIPTION	LOWER TRIM	SEATING	FACIA GEARSHIFT ASSEMBLY/STEERING WHEEL	SEATBELTS	INTERIOR TRIM UPPER	PARCEL SHELF	CARPETS	FLANGE FINISHER	BOOT TRIM
OATMEAL	WARM CHARCOAL	OATMEAL	WARM CHARCOAL	WARM CHARCOAL	NIMBUS GREY	WARM CHARCOAL	FLINT	WARM CHARCOAL	FLINT
WARM CHARCOAL	WARM CHARCOAL	WARM CHARCOAL	WARM CHARCOAL	WARM CHARCOAL	NIMBUS GREY	WARM CHARCOAL	FLINT	WARM CHARCOAL	FLINT
NIMBUS	NIMBUS	NIMBUS	WARM CHARCOAL	WARM CHARCOAL	NIMBUS	WARM CHARCOAL	FLINT	WARM CHARCOAL	FLINT
IVORY	WARM CHARCOAL	IVORY	WARM CHARCOAL	WARM CHARCOAL	NIMBUS GREY	WARM CHARCOAL	FLINT	WARM CHARCOAL	FLINT

INT. TRIM LOWER/SEATS	SEATS	FACIA	SEATBELTS	INTERIOR TRIM UPPER	PARCEL SHELF	CARPETS	FLANGE FINISHER	BOOT TRIM
DOOR CASING	FRONT SEATS (1)	FACIA UPPER	SEATBELT	A POST UPPER	PARCEL SHELF	HEEL MATS		HOOD
DOOR KICK PANEL	SQUAB TRIG.	FACIA ENDS	RUNNING LOOPS	SHEADER	(CPE)	HOOD		STOWAGE
RR QUARTER	KNOB	DEMIST VENTS	SEATBELTS	SUNVISORS &	SUB WOOFER	CONTAINER		BAG
CAPPING (CONV)	TRIG.	SQUAWKER	FRT/RR	FIXINGS	COVER	(CONV)		BOOT BOARD
REAR QUARTER	ESCUTCHEON	DOOR TOP ROLL	ADJUSTER KNOB	HEADLINING	HMSL COVER			BOOT
- CASING	SEAT SWITCH PACK	STEERING WHEEL		AIR EXT. VENTS	(COUPE)			FIXINGS
A POST LOWER	INT. MECHM	HANDBRAKE GRIP						
GLOVEBOX	COVER	CHEATERS						
HANDLE	REAR SEATS	STOWAGE TRAY						
ASPIRATOR	DOOR	SWITCHES						
VENTS	CENTRE	STG COL COWL						
HOOD STOWAGE	PANEL	TRUNK SEAL						
COVER	DOOR	RETAINER						
HANDBRAKE GAITER	ARMREST	FACIA VENTS						
UNDERSCUTTLES	CENTRE CONSOLE (1)	(CENTRE/OUTER)						
CARPET BINDING	- TOP/SIDE/LID							
REAR QUARTER	- CUPHOLDER							
- ARMREST (CPE)	J GATE							
- CENTRE PANEL	SURROUND							
COATHOOK	SEATBELT							
	BUCKLES							

NOTES:
(1) SEATS & CENTRE CONSOLE/LID TAKES W/CHARCOAL STITCHING

TRIM COLOUR COMBINATION CHART - CLASSIC

OVERALL INTERIOR COLOUR DESCRIPTION	INTERIOR TRIM LOWER/SEATING	FACIA GEARSHIFT ASSEMBLY/STEERING WHEEL	SEATBELTS	INTERIOR TRIM UPPER	PARCEL SHELF	CARPETS	FLANGE FINISHER	HOOD CONTAINER (CONV)	BOOT TRIM
OATMEAL	OATMEAL	ANTELOPE	OATMEAL	OATMEAL	ANTELOPE	SABLE	WARM CHARCOAL	SABLE	FLINT
WARM CHARCOAL	WARM CHARCOAL	WARM CHARCOAL	WARM CHARCOAL	NIMBUS	WARM CHARCOAL	FLINT	WARM CHARCOAL	FLINT	FLINT
NIMBUS	NIMBUS	SLATE	NIMBUS	NIMBUS	SLATE	SHADOW GREY	WARM CHARCOAL	FLINT	
IVORY	IVORY	IVORY	SABLE	OATMEAL	SABLE	SABLE	WARM CHARCOAL	SABLE	FLINT
CASHMERE	CASHMERE	SABLE	SABLE	OATMEAL	SABLE	SABLE	WARM CHARCOAL	SABLE	FLINT

INT. TRIM LOWER/SEATS	FACIA	SEATBELTS	INTERIOR TRIM UPPER	PARCEL SHELF	CARPETS	FLANGE FINISHER	HOOD CONTAINER	BOOT TRIM
FRONT SEATS	FACIA UPPER	SEATBELT RETAINERS.	A POST UPPER HEADER	PARCEL SHELF (COUPE)	HEEL MATS SEAT SLIDES		HOOD CONTAINER	SPARE WHEEL COVER
SQUAB TRIG. KNOB	FACIA ENDS	SEATBELT RUNNING LOOPS.	SUNVISORS & FIXINGS	SUB WOOFER COVER (4)				BOOT BOARD
TRIG. ESCUTCHEON	DEMIST VENTS	FRT/RR ADJUSTER KNOB	HEADLINING	HMSL COVER (COUPE)				BOOT
INT. MECHM COVER	SQUAWKER		AIR EXT. VENTS					FIXINGS
REAR SEATS	DOOR TOP ROLL							HOOD
SEAT STITCHING	STEERING WHEEL							STOWAGE BAG
DOOR CASING	J GATE SURROUND							
DOOR CENTRE PANEL	HANDBRAKE GRIP CHEATERS							
DOOR ARMREST	STOWAGE TRAY							
CARPET BINDING	SWITCHES							
RR QUARTER	STG COL COWL							
CAPPING (CONV)	TRUNK SEAL							
REAR QUARTER - CASING	RETAINER							
- ARMREST	FACIA VENTS (CENTRE/OUTER)							
- CENTRE PANEL	DOOR KICK PANEL							
A POST LOWER	LOWER A POST							
CENTRE CONSOLE - TOP/SIDE/LID								
- CUPHOLDER LID								
GLOVEBOX HANDLE								
ASPIRATOR VENTS								
HOOD STOWAGE COVER								
SEAT SWITCH PACK								
HANDBRAKE GAITER								
UNDERSCUTTLES								
COATHOOK								

HOOD COLOUR WITH EXTERIOR & INTERIOR COMBINATIONS

TRIM	BODY COLOUR							
	ALPINE (HGF)	ANTHRACITE (PED)	BRITISH RACING GREEN. (HGD)	CARNIVAL (CGC)	EMERALD (HGG)	MISTRAL (JHJ)	PACIFIC (JHM)	PHOENIX RED (CGL)
OATMEAL (AGD)	Black	Black	Dark Beige/ Light Beige	Light/Beige	Dark Beige/ Green	Dark/Beige	Blue	Black/Dark Beige/Light Beige
CHARCOAL (LEG)	Black	Black	Black	Black	Black/Green	Black	Black	Black
IVORY (NED)	Green/Dark Beige/Light/Beige	Black/ Dark Beige	Black	Dark/Beige Light/Beige	Dark Beige/ Green	Dark/Beige Light/Beige	Dark/Beige Light/Beige	Dark/Beige Light/Beige
CASHMERE (SDV)	Dark/Beige Light Beige	Black		Black	Dark Beige	Dark/Beige Light/Beige	Blue	Black/ Dark Beige
NIMBUS (LGJ)	Black	Black	Black	Black	Black	Black	Blue/Black	Black

TRIM	BODY COLOUR							
	PLATINUM (MDZ)	SAPPHIRE (JHE)	SEAFROST (MDV)	SPINDRIFT (NEE)	TITANIUM (LGL)	TOPAZ (SEC)	WESTMINSTER (JHG)	
OATMEAL (AGD)	Black	Blue	Dark/Beige	Dark/Beige Light/Beige	Black/ Dark Beige	Dark/Beige Light/Beige	Blue/Dark Beige	
CHARCOAL (LEG)	Black	Black	Black	Black	Black	Black	Black	
IVORY (NED)	Black	Blue	Dark/Beige Light/Beige	Dark/Beige Light/Beige	Dark/Beige	Dark/Beige Light/Beige	Blue/Dark Beige	
CASHMERE (SDV)	Black	Blue	Dark/Beige Light/Beige	Dark/Beige Light/Beige	Black	Dark/Beige Light/Beige	Blue/Dark Beige	
NIMBUS (LFJ)	Black	Blue/Black	Dark/Beige Light/Beige	Black	Black	Black	Blue	

Additional coloured Parts

Body Colour

Front/Rear Bumper
Number Plate Finisher
Rubbing strips
Mirror Caps

Grey

Mirror Foot
Waist Rail
Plenium

Chrome

Splitter Vane
Ext. Door Handle (N.America Only)

LOCKING FREQUENCY REGIONS

Region 1 (315 mhz Low)

Japan, South Korea

Region 2 (315 mhz High)

Canada, Mexico, USA, Argentina, Bahrain, Brazil, Chile, China, Egypt, Hong Kong, Indonesia, Jordan, Kuwait, Lebanon, Malaysia, Morocco, Oman, Panama, Paraguay, Philippines, Qatar, Saudi Arabia, Singapore, South Africa, Sri Lanka, Syria, Taiwan, Thailand, Vietnam, UAE, Bahm, Dubai, Abud, Dominican Republic

Region 3 (433 mhz)

Belgium, France, Holland, Luxembourg, UK, Austria, Bulgaria, Canaries, Croatia, Cyprus, Denmark, Eire, Finland, Germany, Gibraltar, Greece, Hungary, Iceland, Israel, Italy, Malta, Norway, Poland, Portugal, Romania, Russia, Serbia, Slovakia, Spain, Sweden, Switzerland, Turkey, Australia, New Zealand