

Rattle/Vibration – Center High Mounted Stop Lamp

MODEL 1998 MY-ON
V8 XJ Series

VIN 812256-862993

Issue:

Some 1998 MY-ON V8 XJ Series vehicles may experience a noise from the area of the rear window. Check the Center High Mounted Stop Lamp (CHMSL) as a possible source of this noise. Investigation has shown that it is possible for the lamp assembly to vibrate on its mountings against the rear window glass to cause a noise.

Action:

In case of a customer complaint of noise that is found to come from the CHMSL assembly on a V8 XJ Series vehicle within the above VIN range, perform the following repair:

1. Reach under the stop lamp assembly to contact the two spring tags that retain the stop lamp assembly to the mountings on the rear glass.
2. Depress the spring tags to release the assembly from the mountings.
3. Depress the spring tags that retain the cover to the stop lamp assembly, and remove the cover from the lamp frame.
4. Disconnect the harness plug from the lamp frame.
5. Place the lamp frame on a clean bench area.

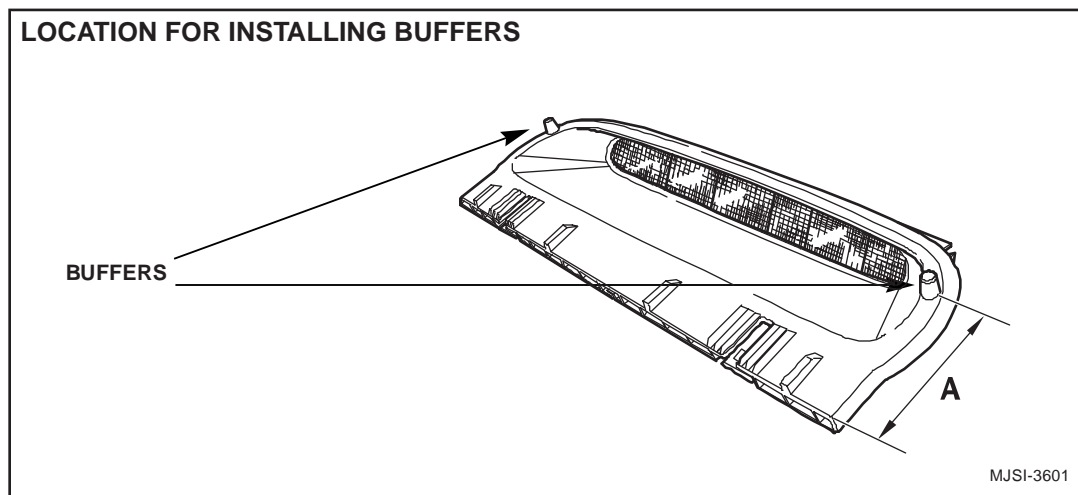


ILLUSTRATION 1

6. Measure 62 mm., (dimension A, Illustration 1), from the bottom edge, at both sides.
7. Use a 3 mm. drill bit, bore a hole through the frame at each location.

8. Install a rubber buffer, (part no. JLM 21123), in each location.
9. Reconnect the harness plug and install the cover. Reinstall the stop lamp assembly on the mountings.
10. Test the stop lamp.

Parts Information:

<u>DESCRIPTION</u>	<u>PART NUMBER</u>	<u>QTY</u>
Rubber Buffer	JLM 21123	2

Warranty Information:

<u>FAULT CODE</u>	<u>R.O. NUMBER</u>	<u>DESCRIPTION</u>	<u>TIME ALLOWANCE</u>
QN DB 33	86.92.35	High mounted stop lamp - modification	0.15 hrs.