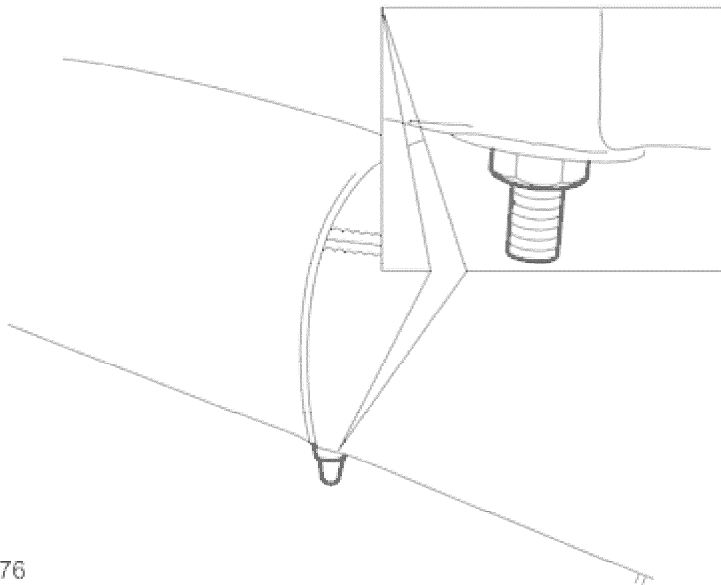


## Rear Seat Cushion 76.70.37

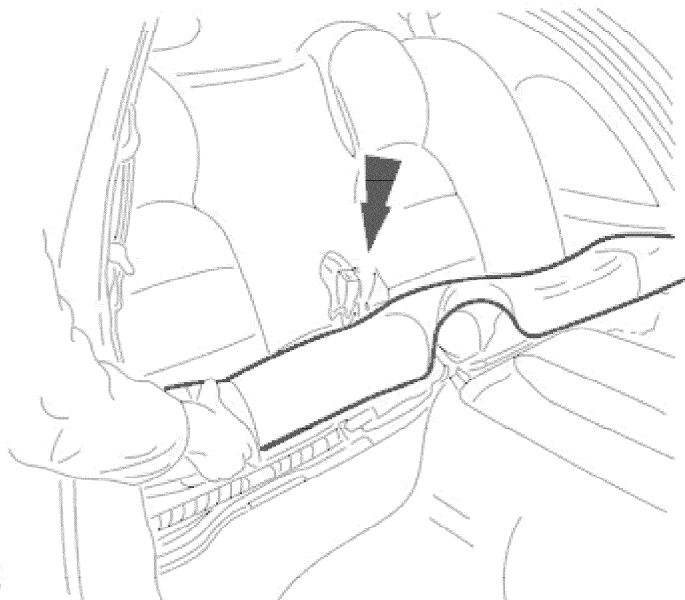
### Removal

1. Using the rear passenger access knobs, position the back of each front seat fully forward.



E36076

2. Slacken and remove the two rear seat cushion securing nuts.



E35838

3. Raise seat cushion for access, pass seat belt anchors through central penetration and remove seat cushion from vehicle.

### Installation

## 1997 XK RANGE - Seating - 501-10

1. Position seat cushion for access and pass rear seat belt anchors through central penetration.
2. Finally position cushion and fit and tighten securing nuts.
3. Return front seat backs to the upright position.