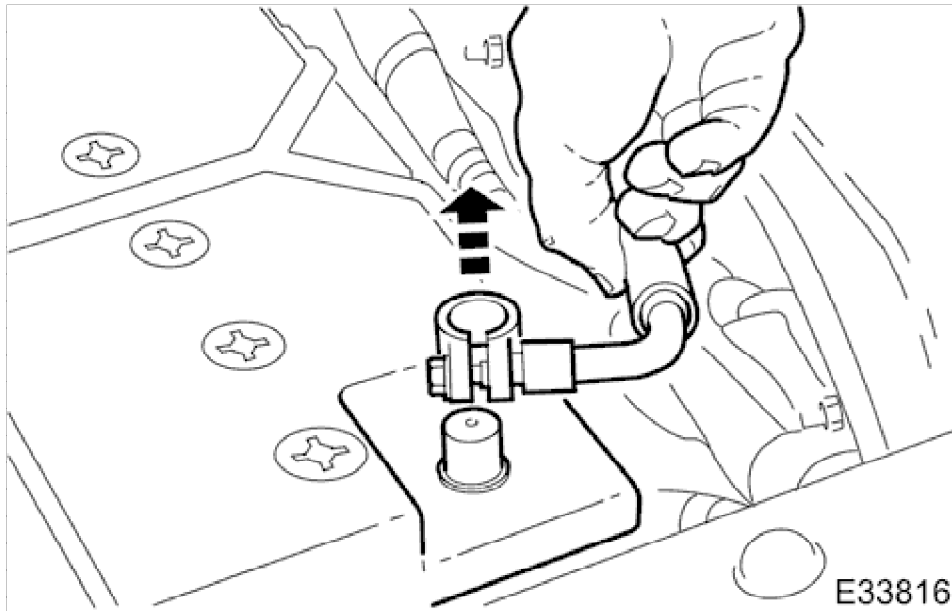


Ignition Switch 86.65.03

Removal

1. Remove the battery cover.

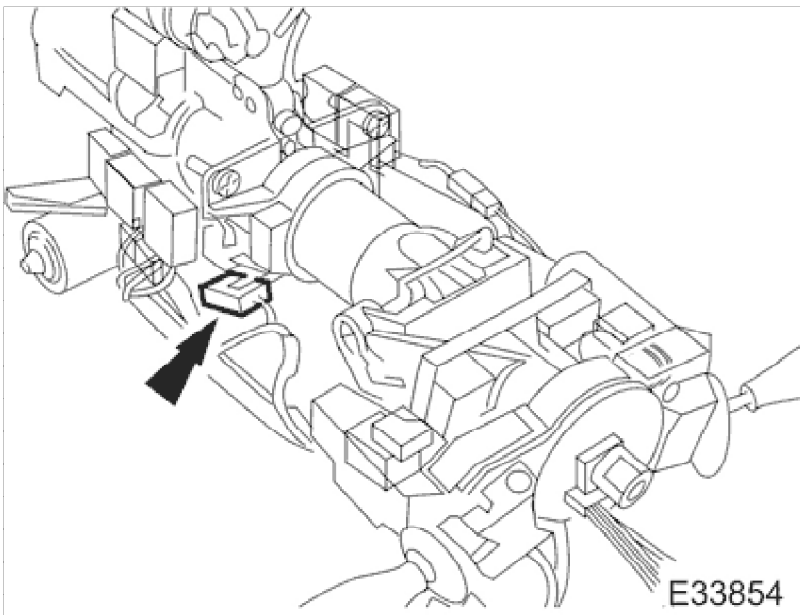


2.  **WARNING:**
WAIT AT LEAST ONE MINUTE BEFORE STARTING WORK, BECAUSE THE AIR BAG IS EQUIPPED WITH A BACK-UP POWER SOURCE AND MAY BE INADVERTENTLY DEPLOYED.

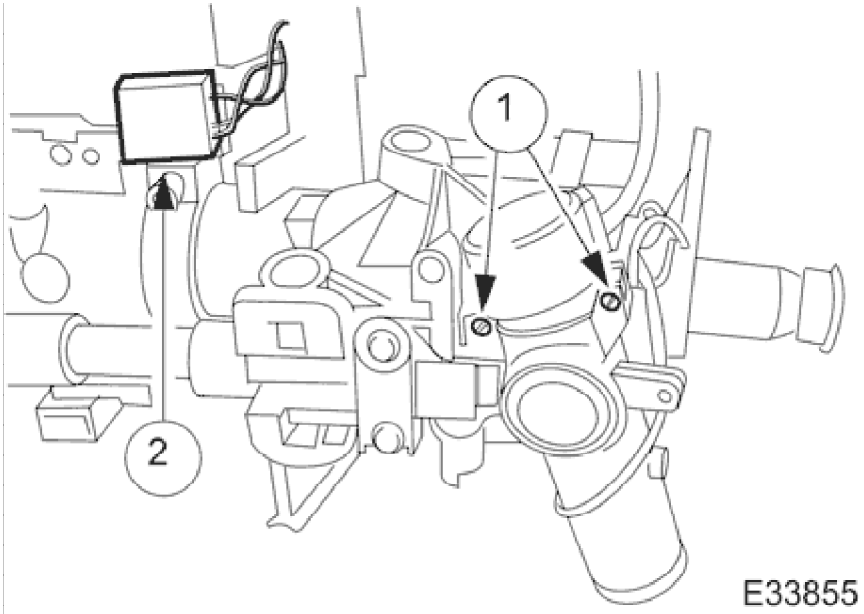
Disconnect the battery ground cable.

3. Remove the underscuttle; refer to Section <<501-05>>.
4. Remove the steering column lower cowl; refer to Section <<501-05>>.

2000 XK RANGE - Steering Column Switches - 211-05



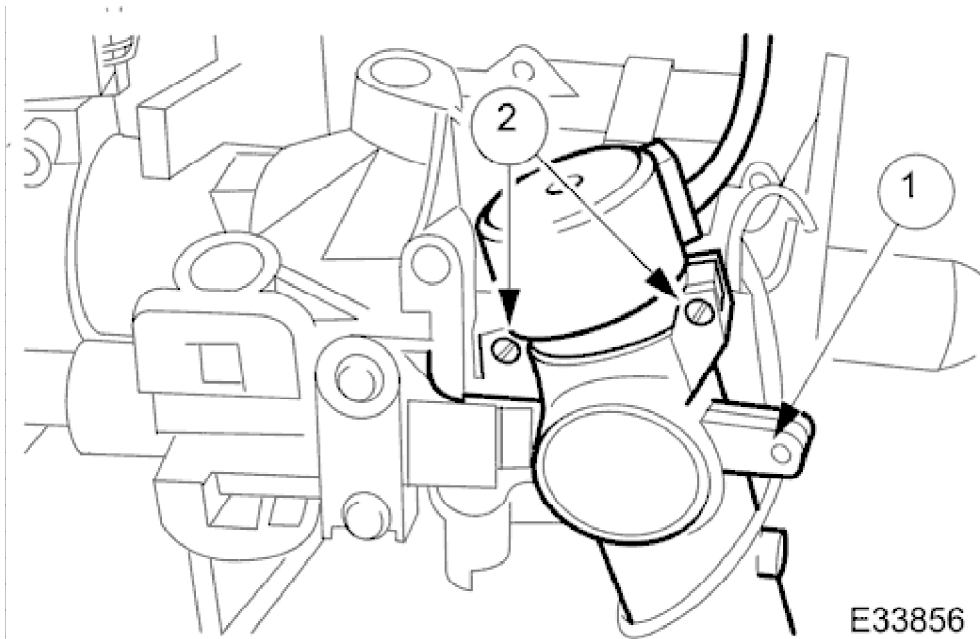
5. Release the ignition switch multiplug from the mounting bracket and disconnect it.



6. Remove the ignition switch from the lock assembly.
1. Unscrew the ignition switch securing screws.
2. Remove the ignition switch from the lock assembly.

Installation

2000 XK RANGE - Steering Column Switches - 211-05

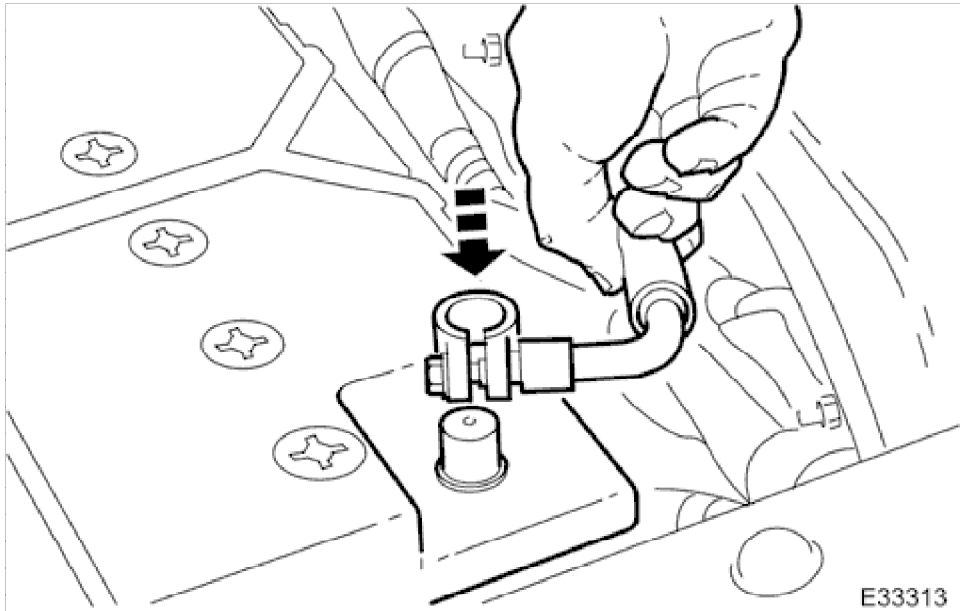


- 1. Install the ignition switch on the lock assembly.
 - 1. Fully seat the ignition switch on the lock assembly.
 - 2. Install and tighten the ignition switch securing screws.

- 2. Reconnect the ignition switch multiplug and locate it in the mounting bracket.

- 3. Install the steering column lower cowl; refer to Section <<501-05>>.

- 4. Install the underscuttle; refer to Section <<501-05>>.



- 5. Reconnect the battery ground cable.

- 6. Install the battery cover.