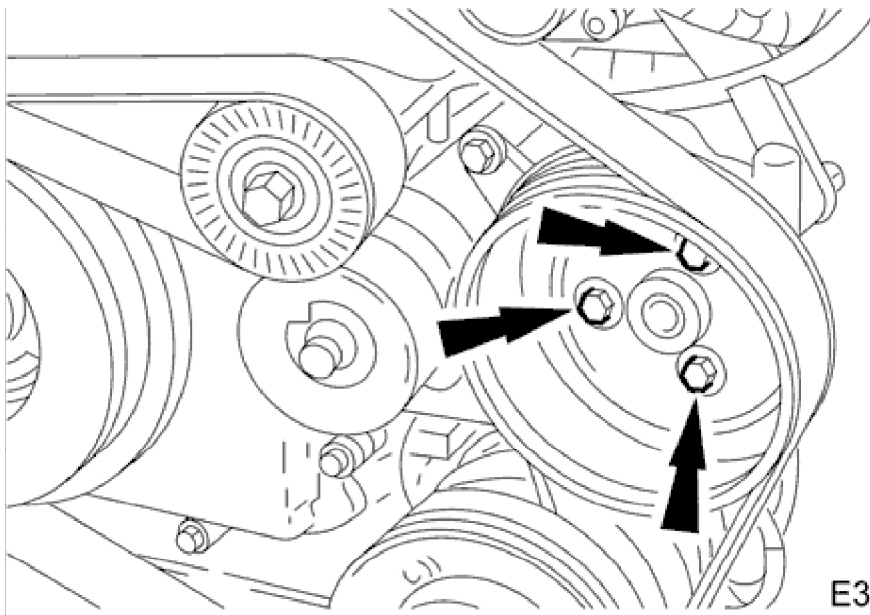


1998 XK RANGE - Power Steering - 211-02

Power Steering Pump 57.20.14

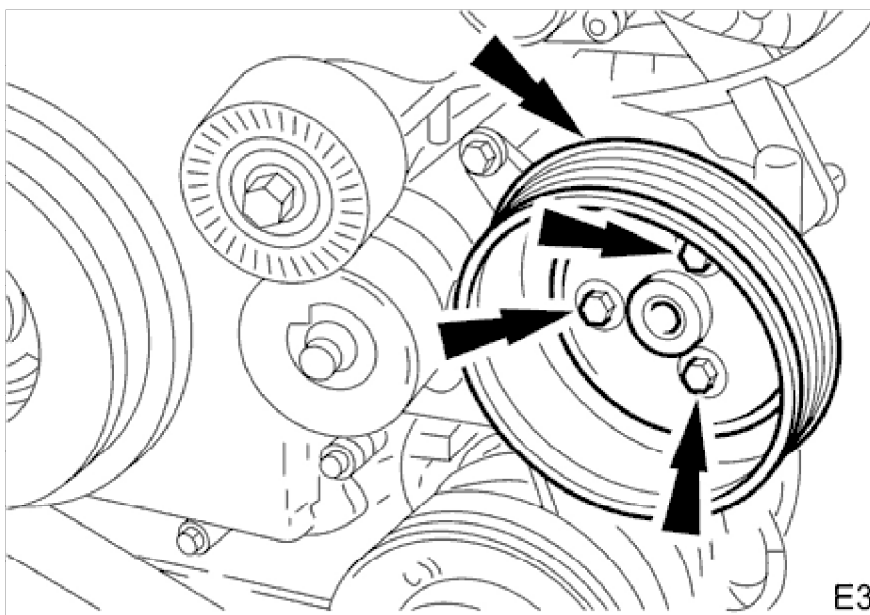
Removal

1. Open engine compartment and fit paintwork protection covers.
2. Set engine compartment cover to service access position.
3. Disconnect battery ground cable. Refer to operation <<86.15.19>>.



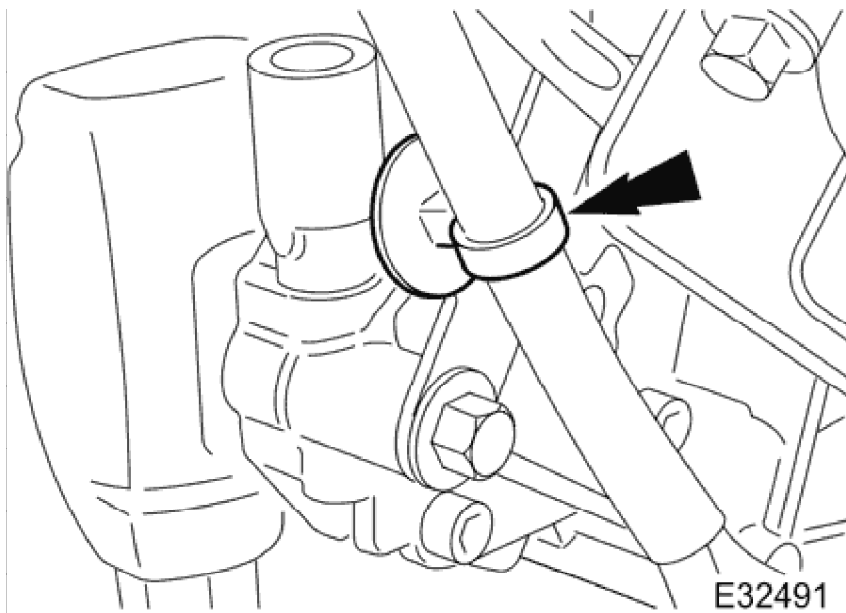
4. Loosen, but do not remove bolts which secure drive pulley to power steering pump.

5. Remove front end accessory drive belt. Refer to operation <<12.10.40>>.

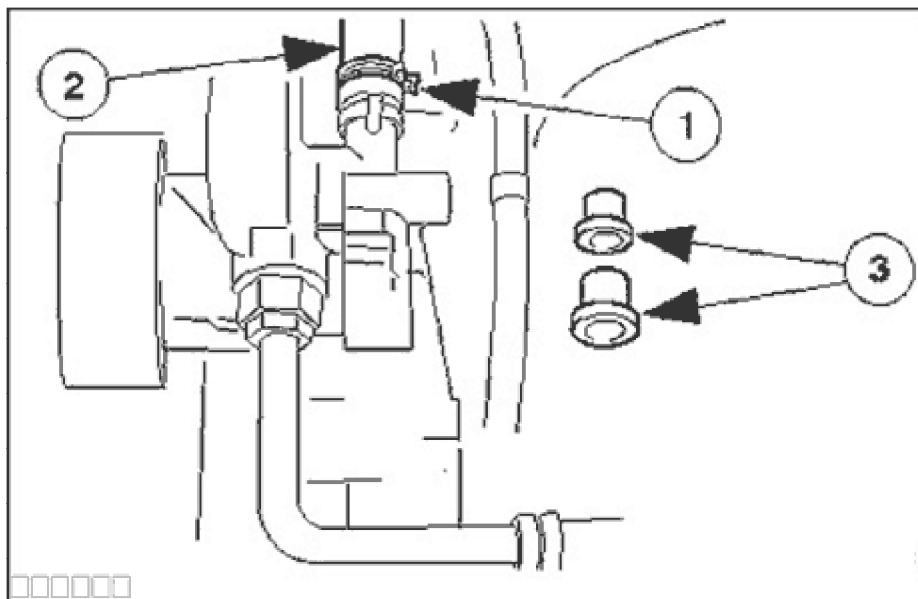


1998 XK RANGE - Power Steering - 211-02

6. Remove pulley from power steering pump.
 - Remove bolts.
 - Remove pulley.

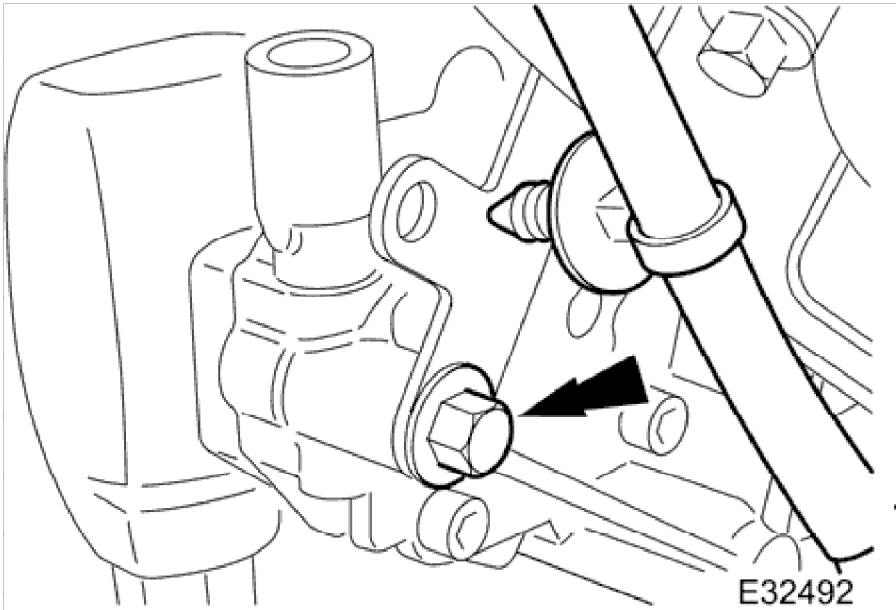


7. Release harness retaining clip from engine oil dipstick-tube bracket, reposition harness.

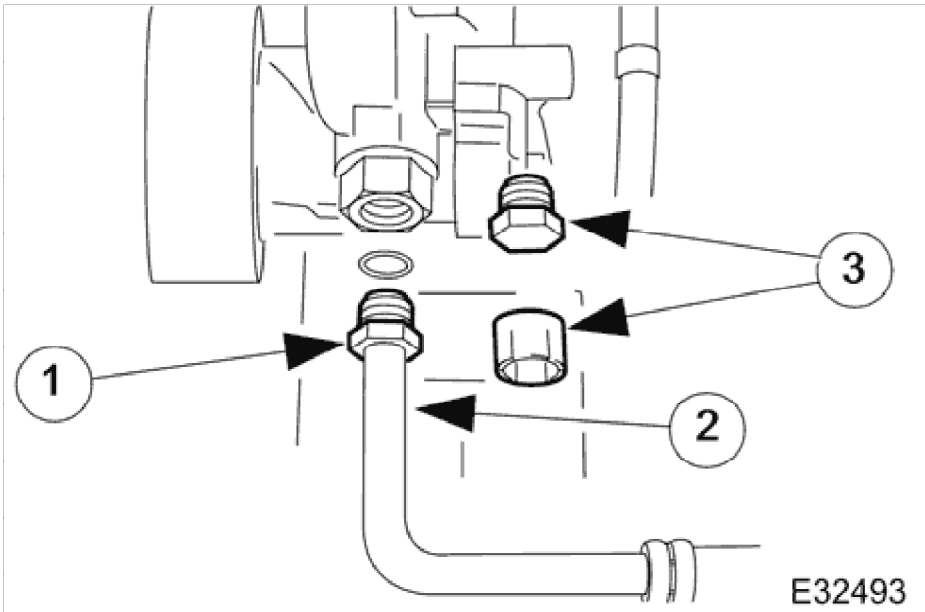


8. Disconnect power steering pump inlet hose and drain the fluid.
 - Place a drain pan under vehicle.
 1. Release clip.
 2. Disconnect hose and drain fluid.
 3. Fit blanking plugs to pump and hose.

1998 XK RANGE - Power Steering - 211-02

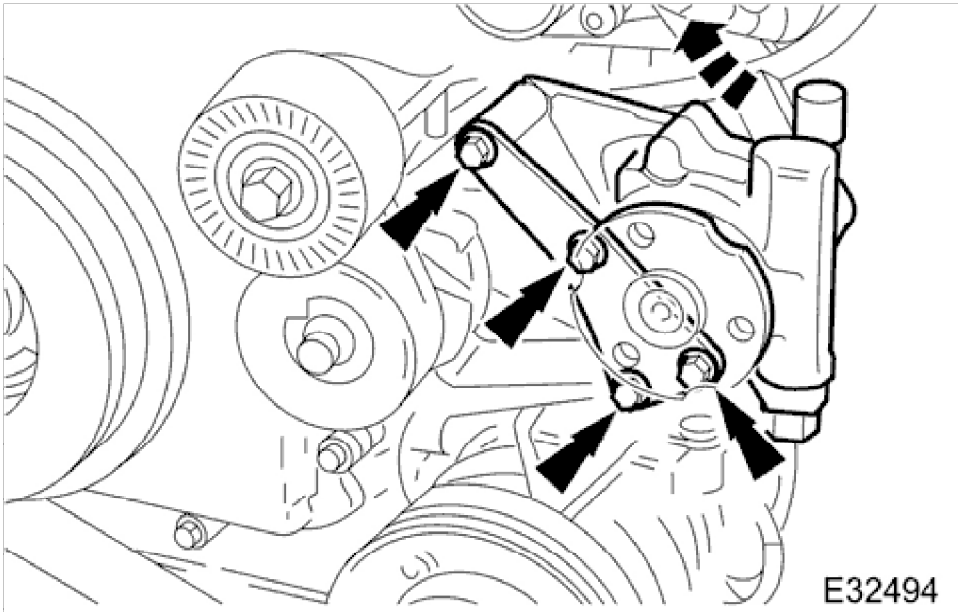


9. Remove bolt from dipstick-tube retaining bracket.

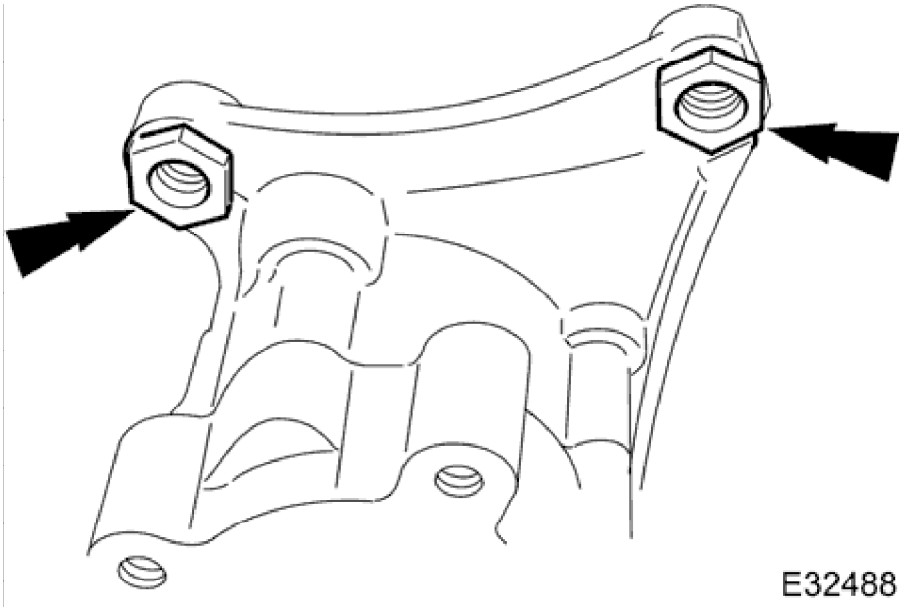


10. Disconnect outlet hose from pump.
1. Release union nut.
2. Disconnect hose.
3. Fit blanking plugs to hose and pump.

1998 XK RANGE - Power Steering - 211-02



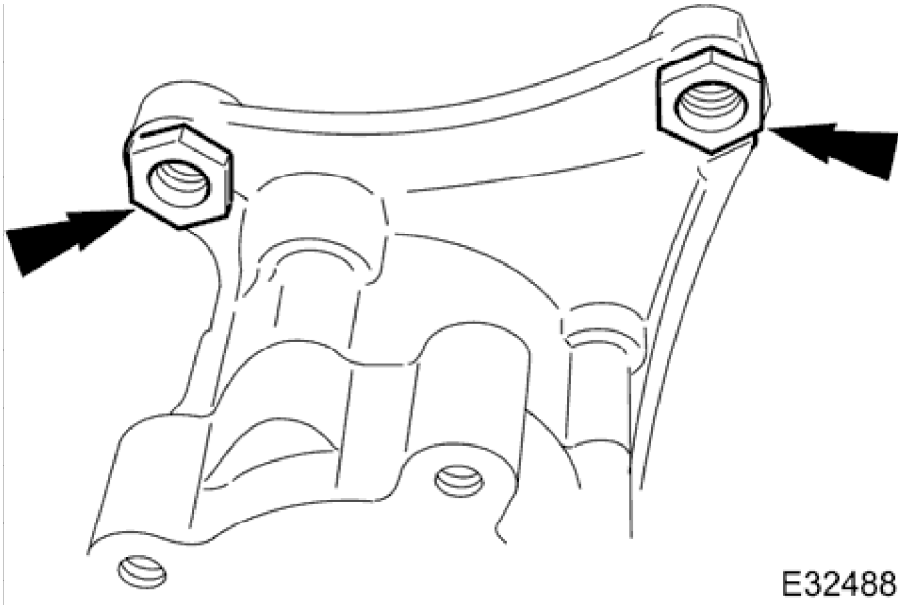
11. Remove power steering pump.
- Remove bolts.
 - Remove pump by moving it forward and upwards.



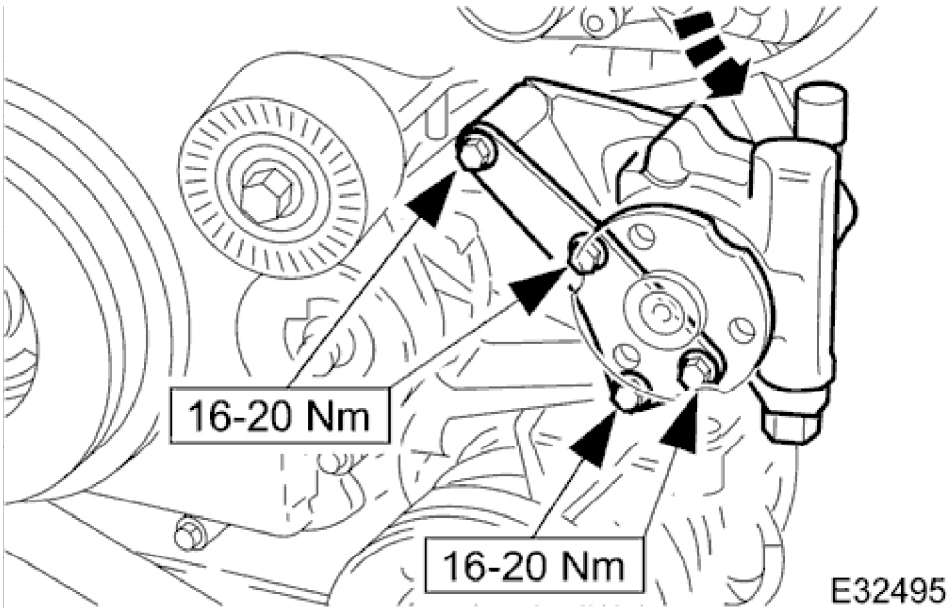
12. Remove fixing nuts from pump body casting.

Installation

1998 XK RANGE - Power Steering - 211-02

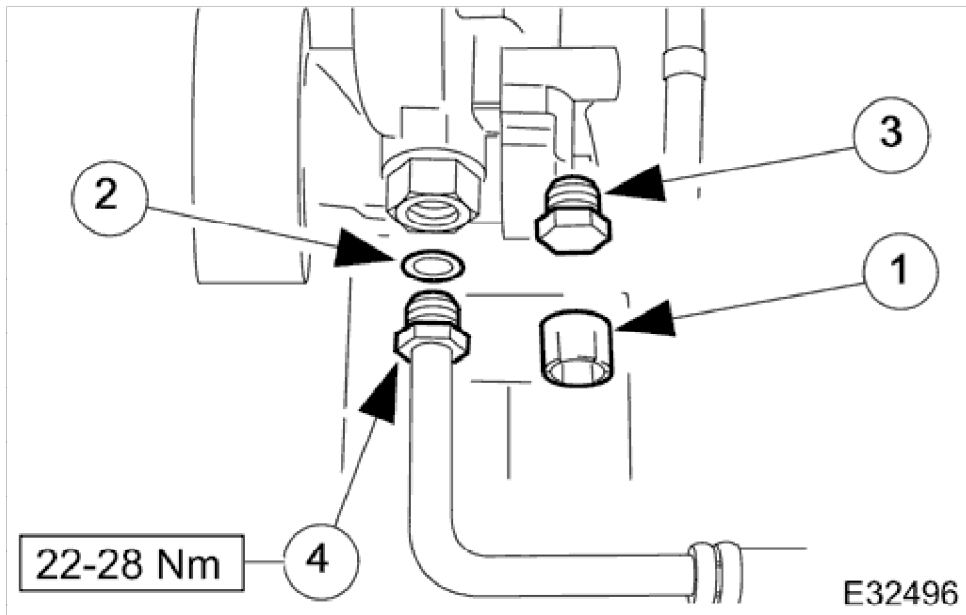


1. Fit fixing nuts to pump body casting.

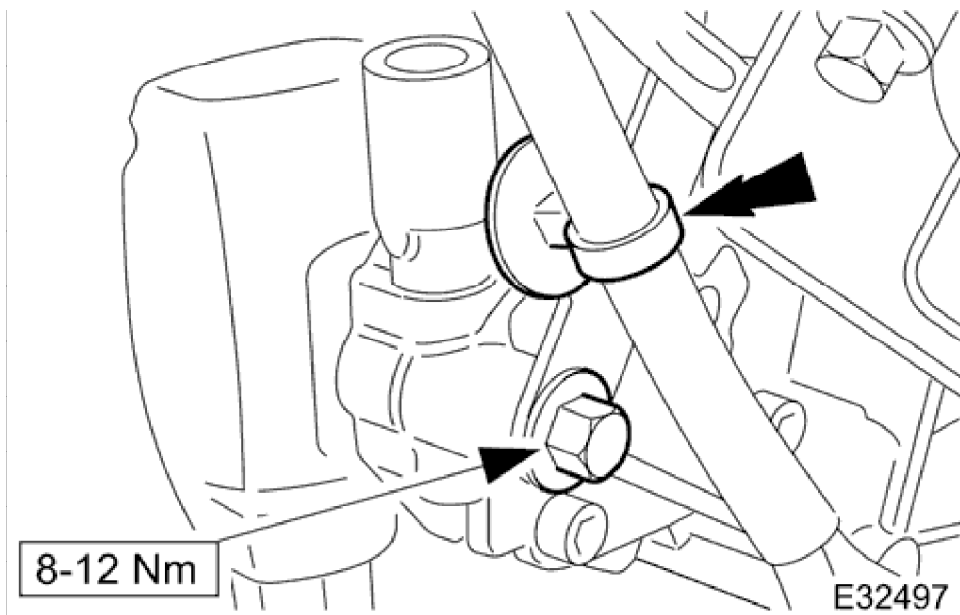


2. Fit power steering pump.
• Position pump to engine.
• Fit and tighten bolts.

1998 XK RANGE - Power Steering - 211-02

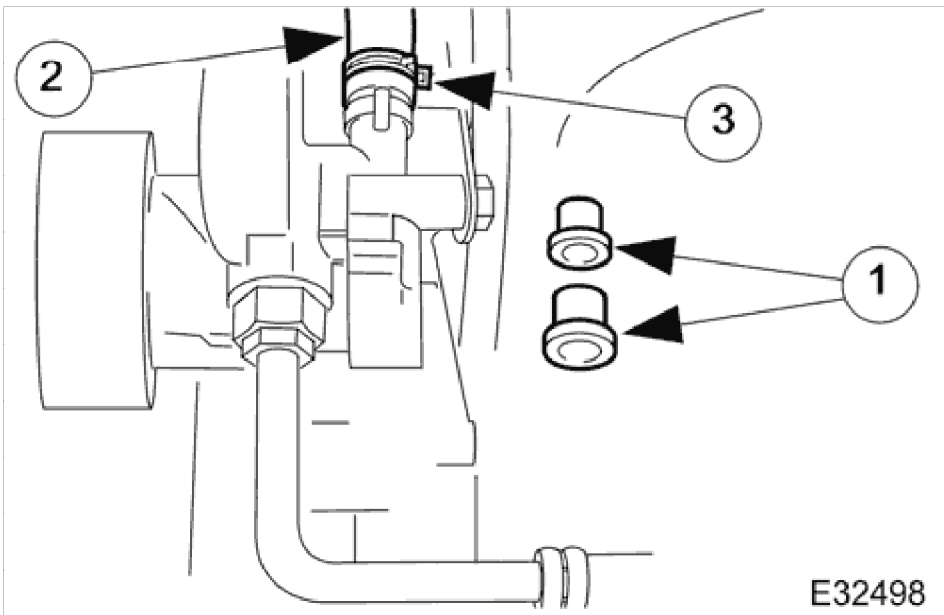


3. Connect outlet hose to pump.
 1. Remove blanking plug from hose.
 2. Remove and discard O-ring seal from hose.
 - Fit a new O-ring seal.
 3. Remove blanking plug from pump.
 4. Connect and tighten hose union nut to pump.

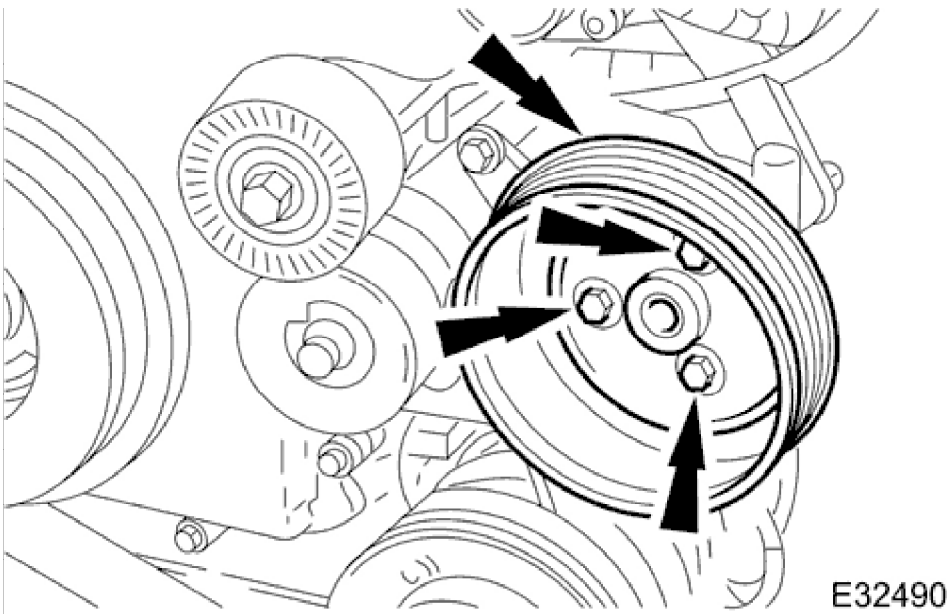


4. Fit and tighten bolt securing dipstick tube to engine.
 - Fit harness clip to dipstick-tube bracket.

1998 XK RANGE - Power Steering - 211-02

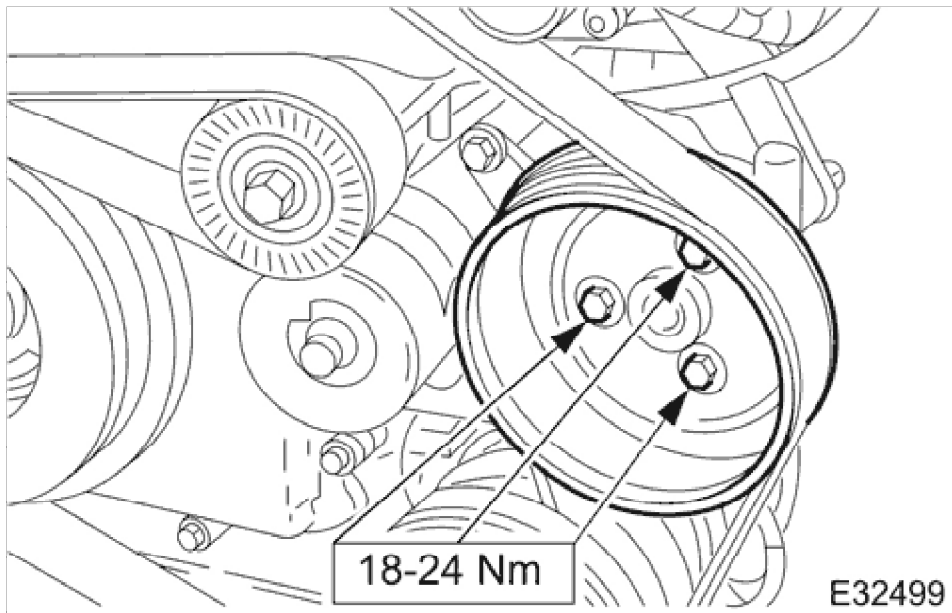


- 5. Connect inlet hose to pump.
 - 1. Remove blanking plugs from hose and pump.
 - 2. Connect hose to pump.
 - 3. Secure hose with clip.



- 6. Fit drive pulley to pump.
 - Fit, but do not tighten bolts.
- 7. Fit front end accessory drive belt. Refer to operation <<12.10.40>>.

1998 XK RANGE - Power Steering - 211-02



8. Tighten pulley bolts.

9. Clean any spilt fluid from around pump area.

10. Remove drain pan.

11. Fit a new power steering oil reservoir (combined reservoir and oil filter assembly) and bleed air from system. Refer to operation <<57.15.08>>.

12. Connect battery ground cable. Refer to operation <<86.15.15>>.

13. Remove paintwork protection covers..