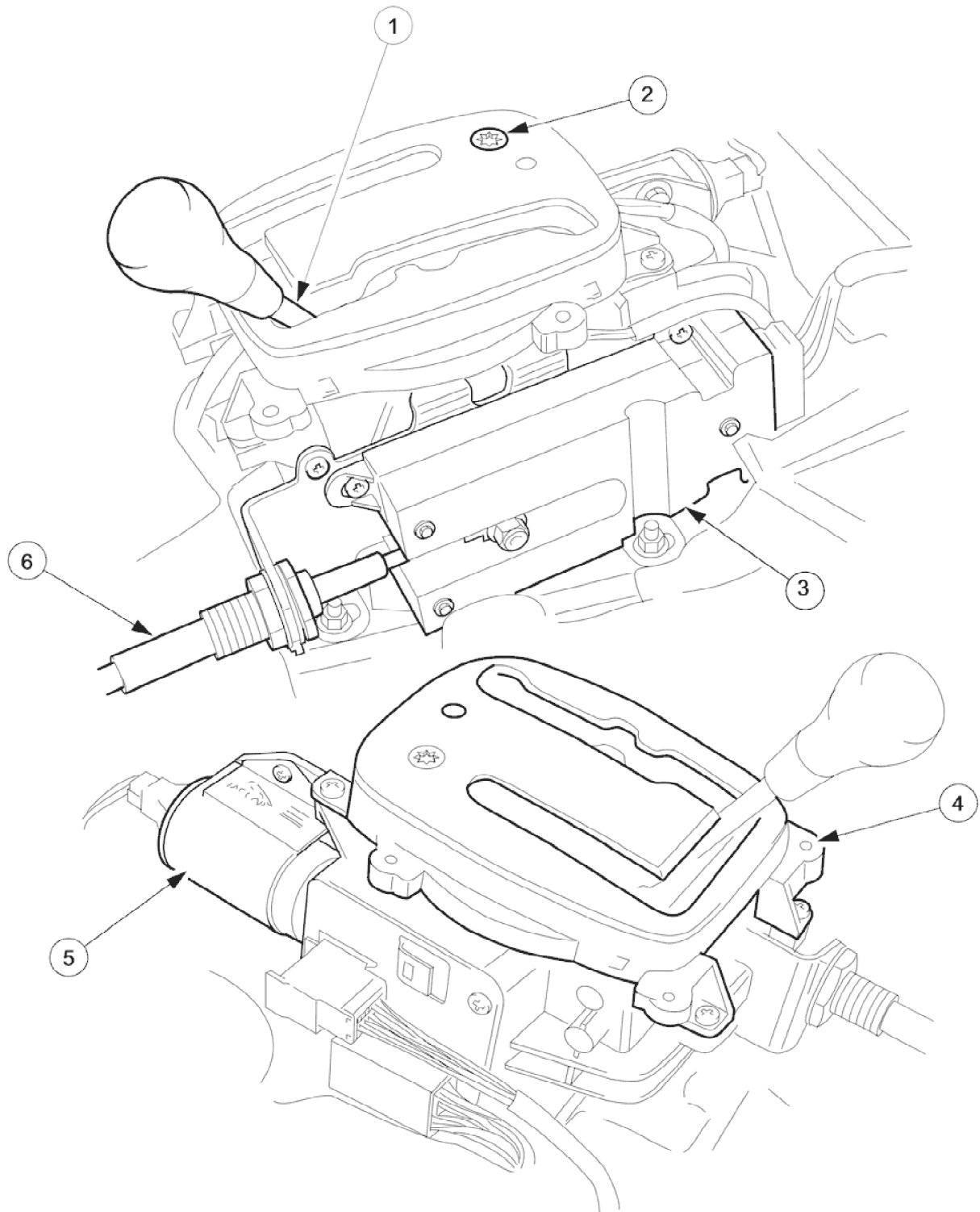


External Controls



E38113

Parts List

Item	Description
1	Transmission selector lever
2	Brake shift interlock actuator manual override access
3	Transmission control switch
4	Selector lever indicator assembly
5	Brake shift interlock actuator
6	Selector lever cable and bracket

## Transmission selector lever

The transmission selector lever:

- has eight positions: Park, Reverse, Neutral, Drive, Fifth, Fourth, Third and Second.
- operates the automatic transmission selector in the Park, Reverse, Neutral, Drive positions by means of a cable.
- when moved to the left-hand, allows manual electronic selection of Fifth, Fourth, Third and Second gears.
- communicates the transmission selector lever position to the transmission control module (TCM) using electronic code through the Controlled Area Network (CAN) bus.
- uses the transmission control switch to generate the electronic code.

## The eight transmission selector positions are:

- P: The transmission is mechanically locked (starting available).
- R: Reverse gear.
- N: No power to the rear wheels (starting available).
- D: All six forward gears available.
- 5: Upshift to fifth gear only.
- 4: Upshift to fourth gear only.
- 3: Upshift to third gear only.
- 2: Upshift to second gear only.

## Automatic transmission gear selector

The gear selector at the transmission unit:

- is connected to the transmission selector lever by a selector lever cable and bracket.
- operates the manual selector valve, which is part of the electro-hydraulic control unit.

## Selector lever indicator assembly:

- provides a red transmission lever position illumination to indicate the selected gear.
- illuminates the security system LED when an output from the ECM is received.

## Sport mode switch

The sport mode switch:

- allows the driver to select or de-select the automatic transmission sport mode.
- allows the automatic transmission to operate normally when the sport mode is selected, but under acceleration the gear shift points are extended to make full use of the engine power reserves.

## 2004 XK RANGE - Automatic Transmission/Transaxle External Controls - 307-05

- allows the driver to drive the vehicle in the 'D' position with the full automatic transmission shift or manually shift gears in the 'second, third, fourth and fifth' positions.
- is illuminated when Sport mode is selected.
- communicates with the TCM through the CAN to show the sport mode switch status.

### **Brake shift interlock actuator:**

- prevents the transmission selector lever from being moved from the Park position, unless the ignition switch is in the 'ON' position and the brake pedal is applied.
- is controlled by an input from the Electronic Control Module (ECM).

### **Park position switch**

- is hard-wired to the ECM.
- detects when the gear selector lever is moved to the Park position.

### **Transmission control switch:**

### **External Controls**