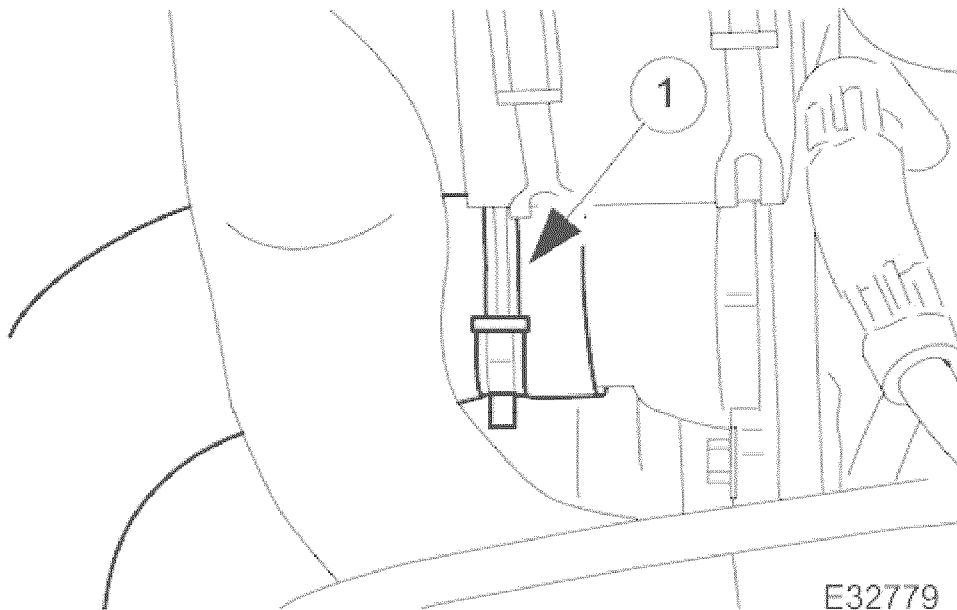


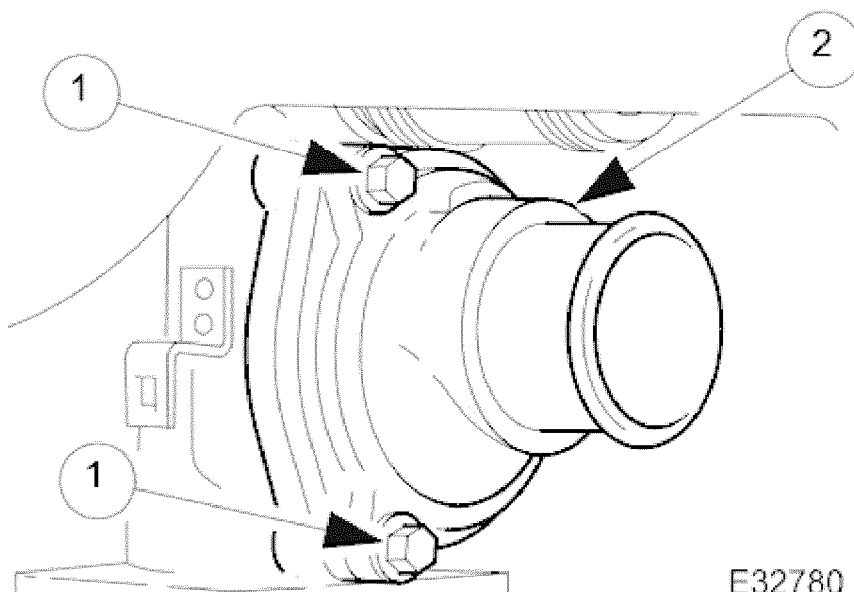
Thermostat 26.45.07

Removal

1. Open the engine compartment and fit paintwork protection sheets.
2. Drain the radiator. Refer to this Section. Retain the coolant drain tray in position to catch any spillage when removing the thermostat cover.
3. Remove the engine cover panels for access.



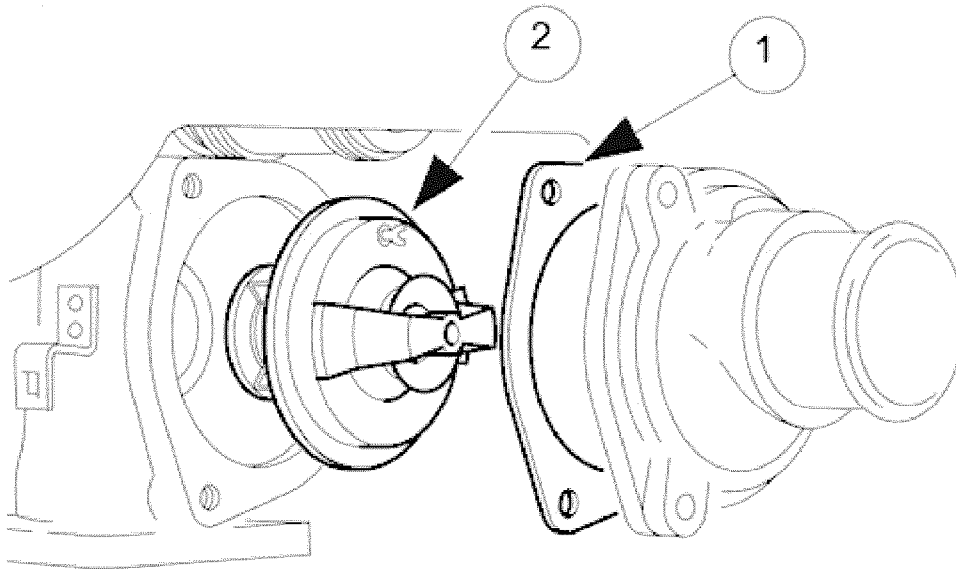
4. Disconnect the radiator bottom hose from the thermostat cover.
 1. Release and reposition the hose clip, and disconnect the bottom hose.



5. Remove the thermostat cover.

1997 XK RANGE - Engine Cooling - 303-03

1. Remove the three bolts which secure the thermostat cover to the housing.
2. Remove the thermostat cover from the housing.



E32781

6. Remove the thermostat from the housing.
 1. Remove (and discard) the gasket from the thermostat.
 - Fit a new gasket to the thermostat.

Installation

1. Installation is the reverse of the removal procedure. Fit the thermostat so that the vent pin is to the top.
2. Tighten the thermostat cover bolts to 8-10 Nm.
3. Refill the cooling system as described in this section.