

**Accessory Drive Belt 12.10.40**

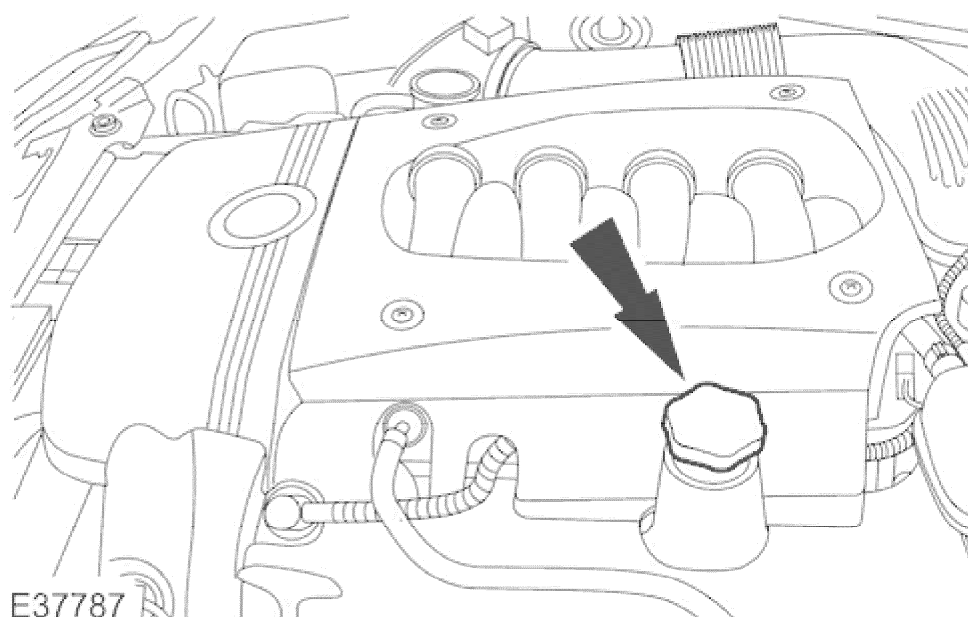
**Removal**

**Vehicles with supercharger**

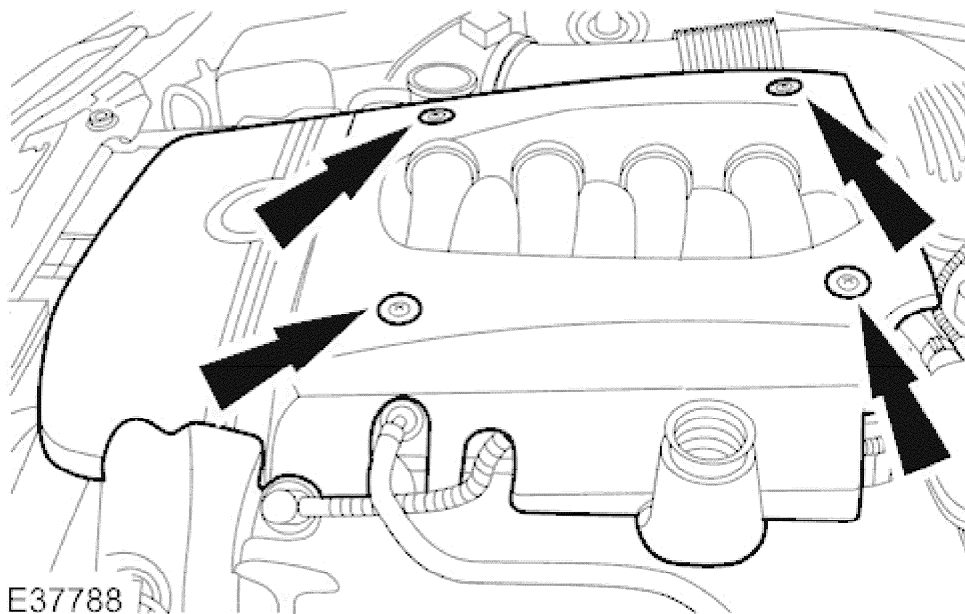
1. Remove the supercharger belt. <<Supercharger Belt - >>

**Vehicles without supercharger**

2. Disconnect the battery ground cable. <<414-01>>



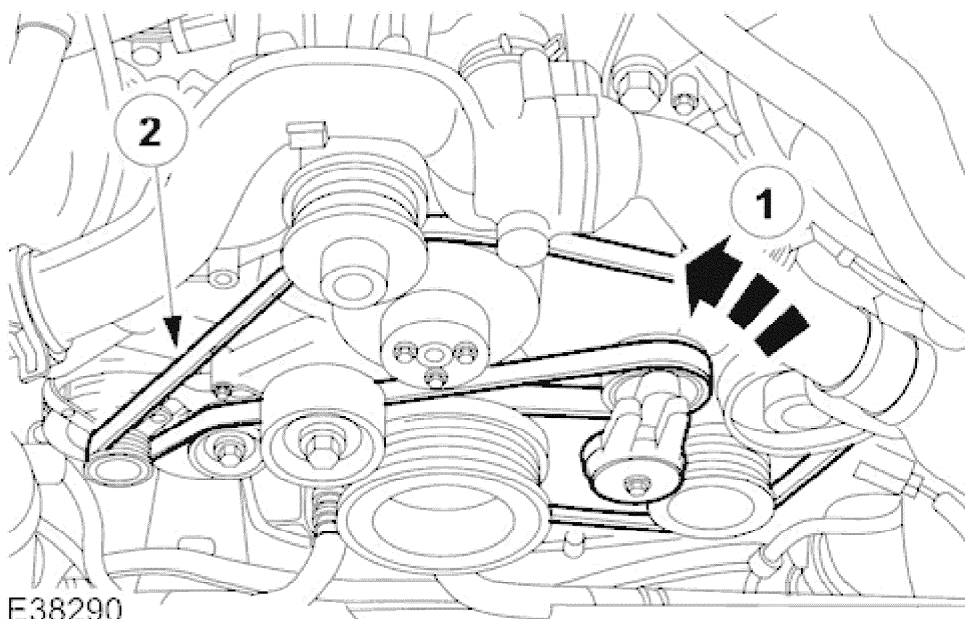
3. Remove the oil filler cap.



E37788

4. Remove the engine cover.

**All vehicles**

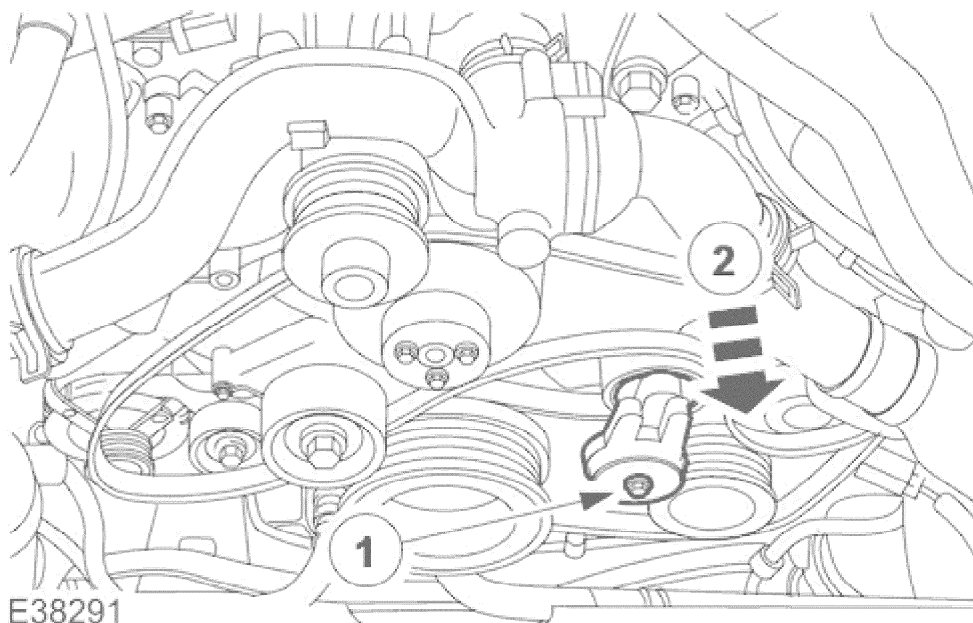


E38290

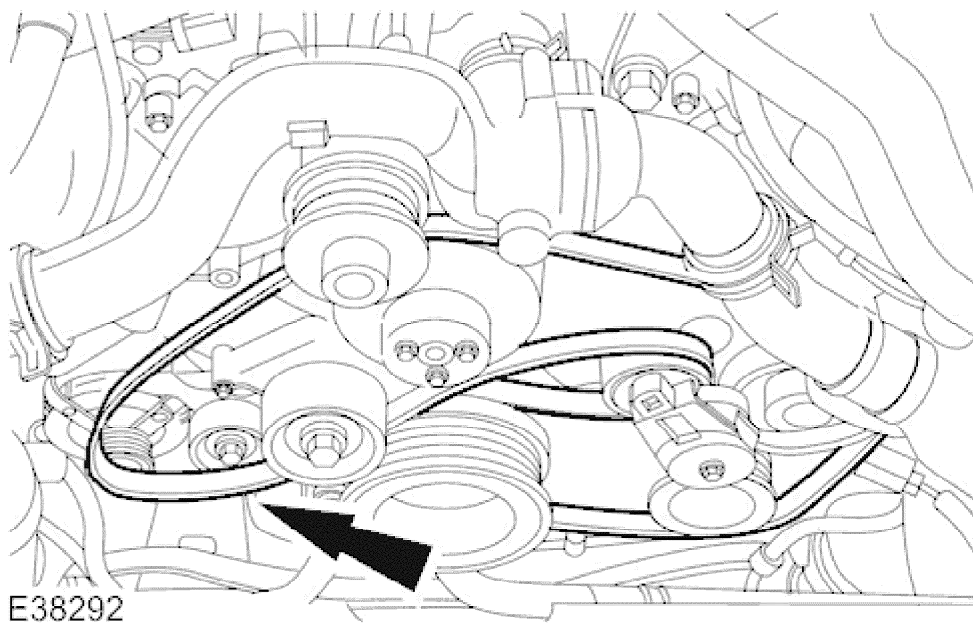
5. Detach the accessory drive belt.

1. Rotate the accessory drive belt tensioner counter-clockwise
  - Use a 3/8 inch square drive bar to rotate the accessory drive belt tensioner.
2. Detach the accessory drive belt.

## 2004 XK RANGE - Accessory Drive - 303-05



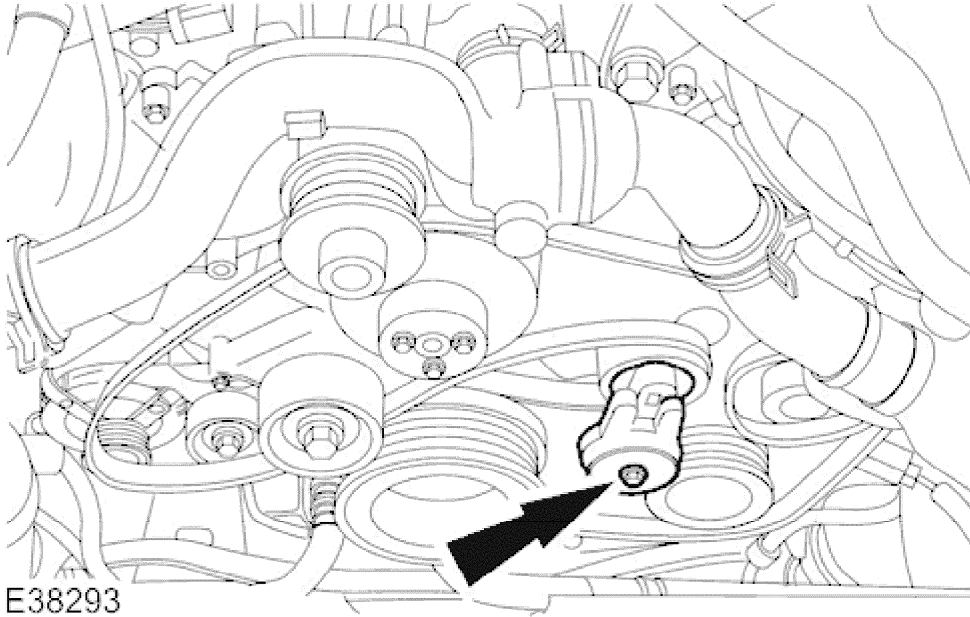
6. Reposition the accessory drive belt tensioner.
1. Loosen the accessory drive belt tensioner retaining bolt.
  2. Reposition the accessory drive belt tensioner.



7. Remove the accessory drive belt.

### Installation

## 2004 XK RANGE - Accessory Drive - 303-05



E38293

1. To install, reverse the removal procedure.
1. Tighten to 40 Nm.