

2004 XK RANGE - Acceleration Control - 310-02

Accelerator Cable Adjustment

Special Service tools



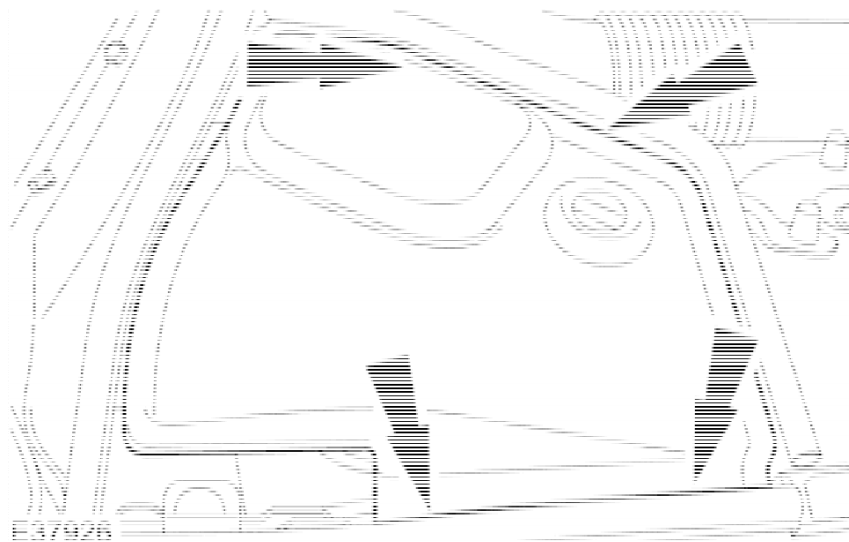
310-101

Accelerator cable adjustment tool
310-101

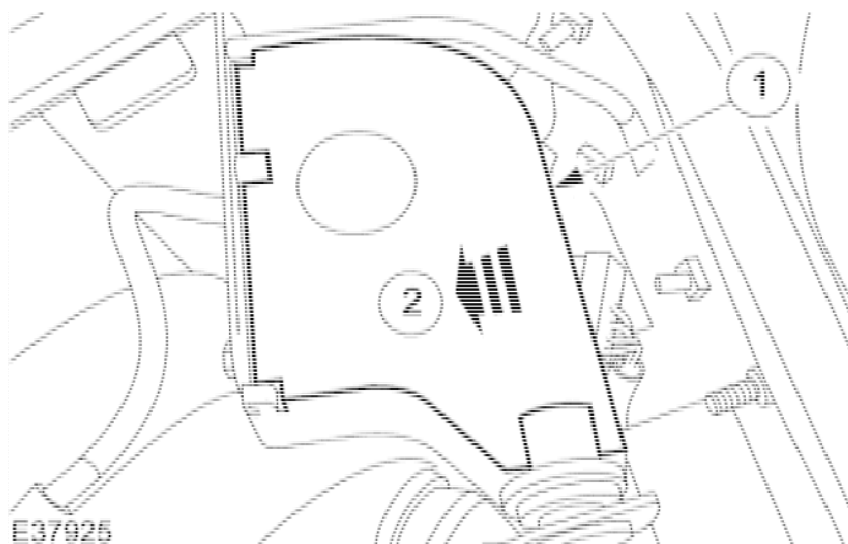
NOTE:

Right-hand drive vehicles shown, left-hand drive vehicles similar.

1. Make sure the kickdown plunger is fully seated to the retaining stud shoulder.

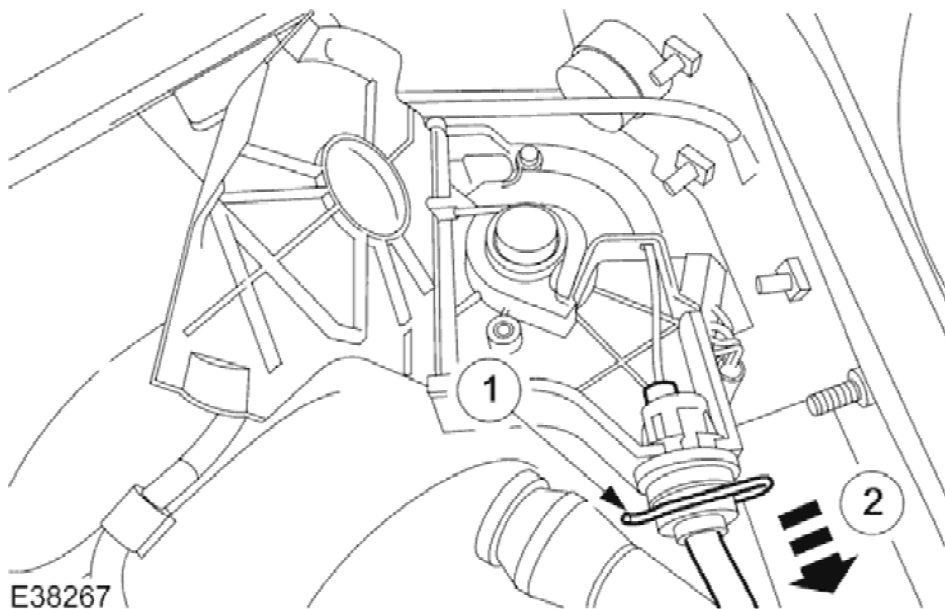


2. Remove the driver side bulkhead cover.



3. Open the accelerator pedal position (APP) sensor cover.

1. Release the APP sensor cover retaining clip.
2. Open the APP sensor cover.



4. Tension the accelerator cable.

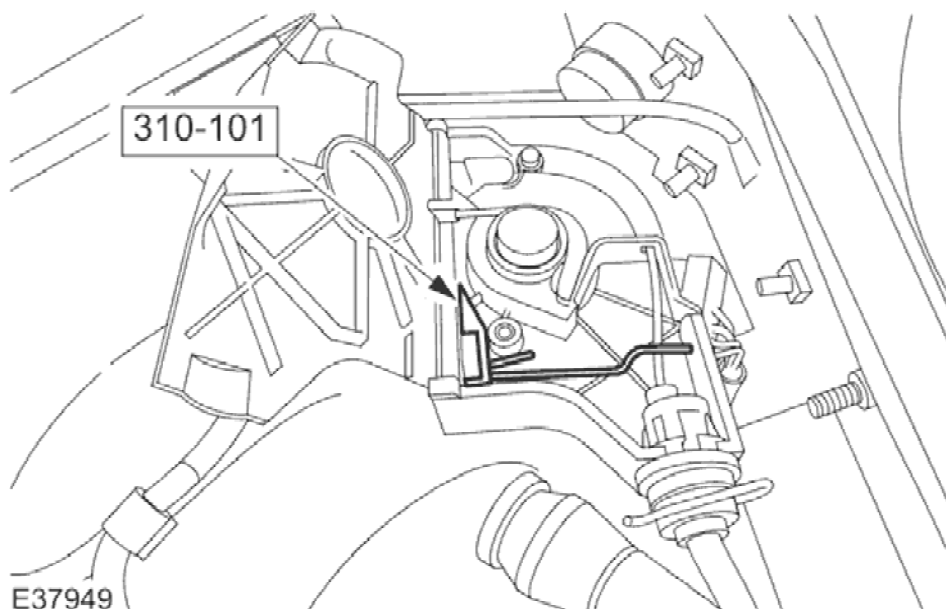
1. Remove the accelerator outer cable retaining clip.

NOTE:

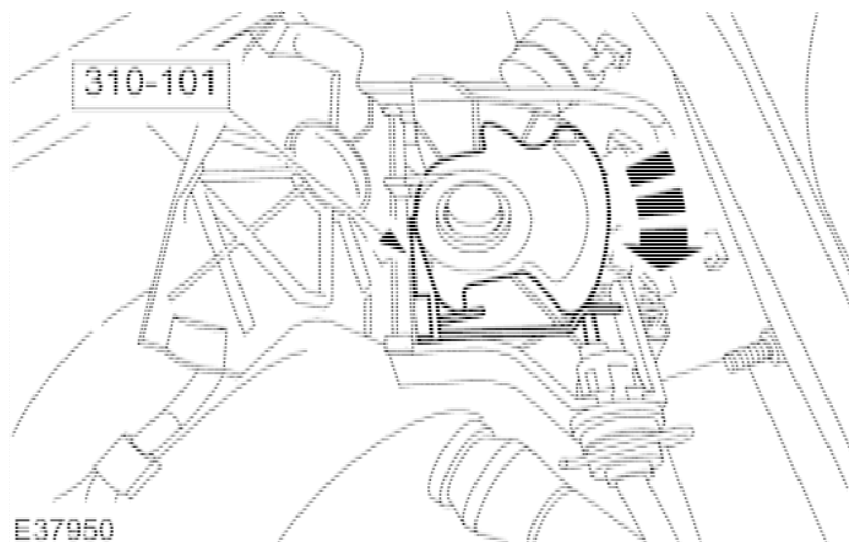
Make sure 14 teeth are visible on the outer cable.


2. Tension the accelerator cable

5. Install the accelerator outer cable retaining clip.



6. Install the special tool to the APP sensor.



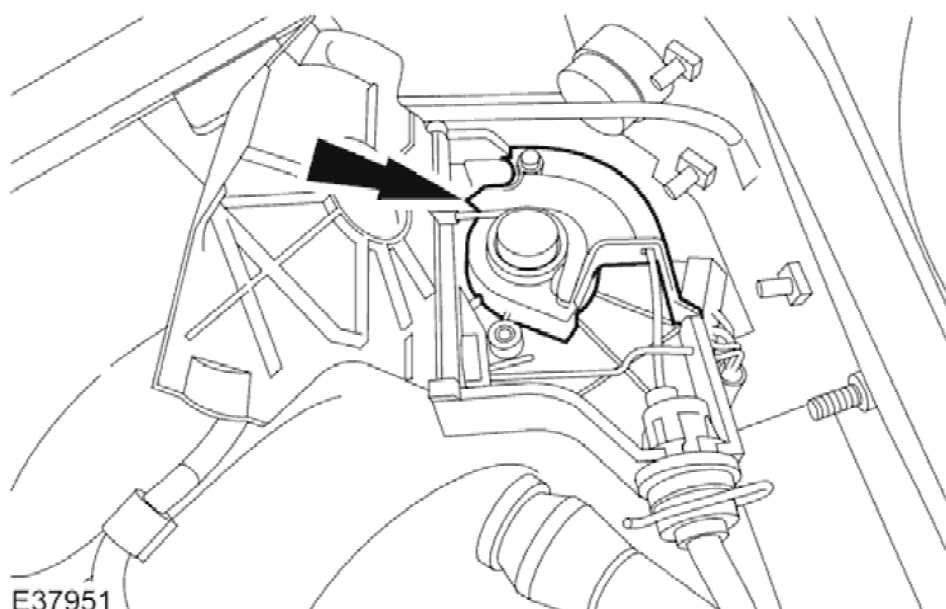
7.  **CAUTION:**
The accelerator cable must be adjusted by pressing the accelerator pedal. Failure to follow this instruction may result in incorrect cable adjustment.

Using the special tool adjust the accelerator cable.

- Slowly press the accelerator pedal through kickdown to the floor, and hold for five seconds.

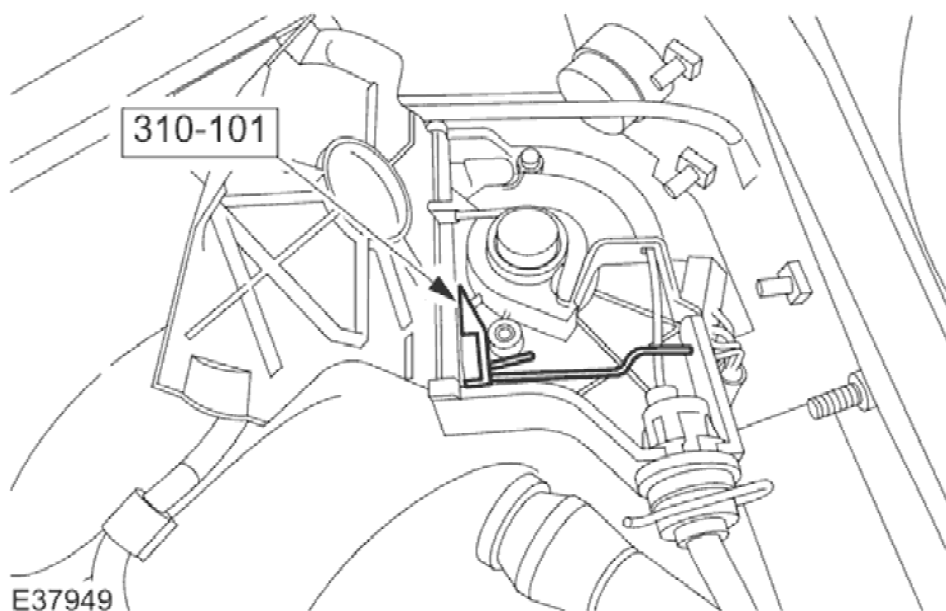
8. Release the accelerator pedal.

2004 XK RANGE - Acceleration Control - 310-02



E37951

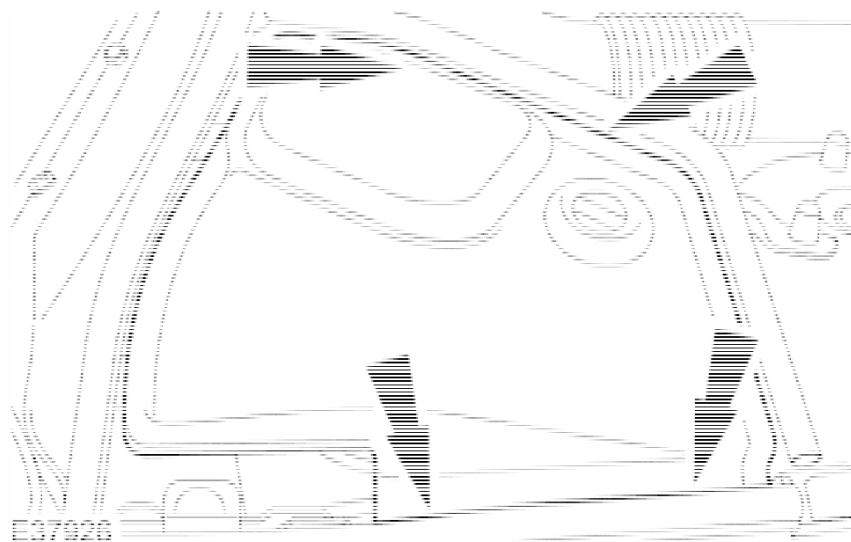
9. Make sure the APP sensor cam is at the idle position.



E37949

10. Remove the special tool.

11. Close the APP sensor cover.



12. Install the driver side bulkhead cover.