


## Bumpers - Front Bumper Cover

Removal and Installation

### Removal

All vehicles

1.  **WARNING:** Do not work on or under a vehicle supported only by a jack. Always support the vehicle on safety stands.

Raise and support the vehicle.

2. Remove the radiator splash shield.

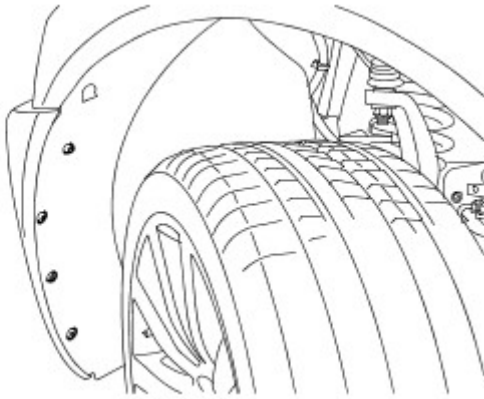
For additional information, refer to: [Radiator Splash Shield](#) (501-02 Front End Body Panels, Removal and Installation).

3. Remove the headlamps.


For additional information, refer to: [Headlamp Assembly](#) (417-01 Exterior Lighting, Removal and Installation).

4. Release the front of the fender splash shield.

- Remove the 4 Torx screws.
- Repeat the above procedure for the other side.



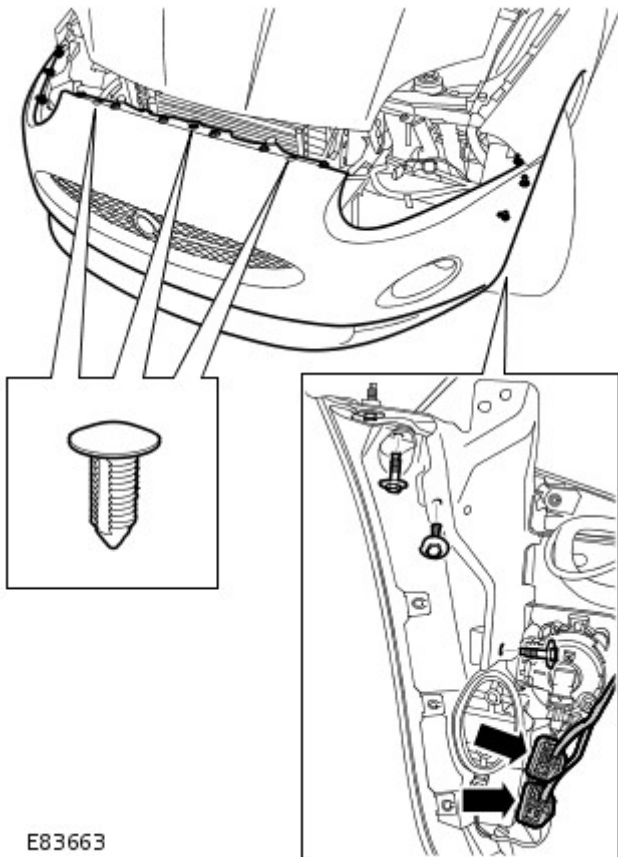
E68625

5.  **CAUTION:** Always protect paintwork and glass when removing exterior components.

- **NOTE:** This step requires the aid of another technician.

Remove the front bumper cover.

- Remove the 12 bolts.
- Release the 3 clips.
- Disconnect the 2 electrical connectors.



E83663



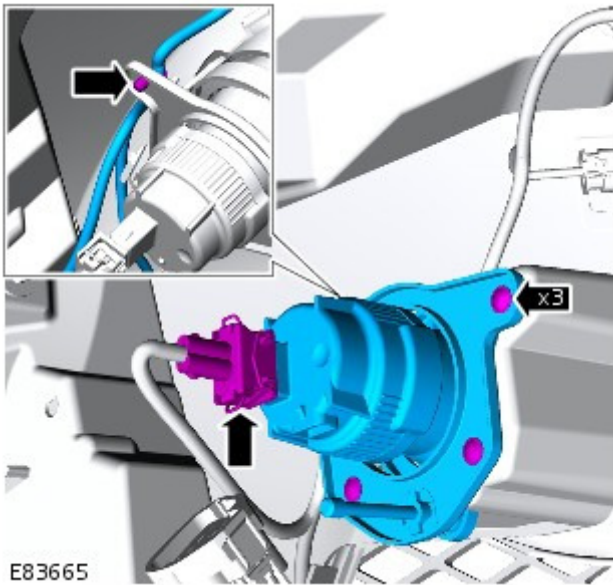
E83664

**6. NOTE:** Do not disassemble further if the component is removed for access only.

Remove the towing eye cover.

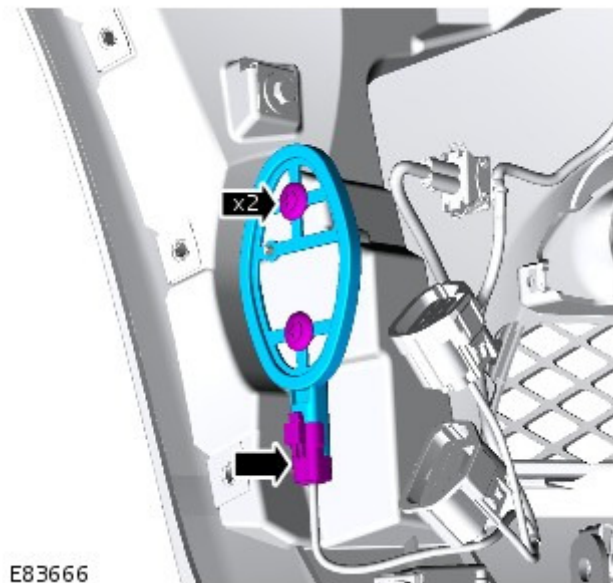
**7. Remove the front fog lamp.**

- Remove the 3 Torx screws.
- Disconnect the electrical connector.
- Release the wiring harness.
- Repeat the above procedure for the other lamp.



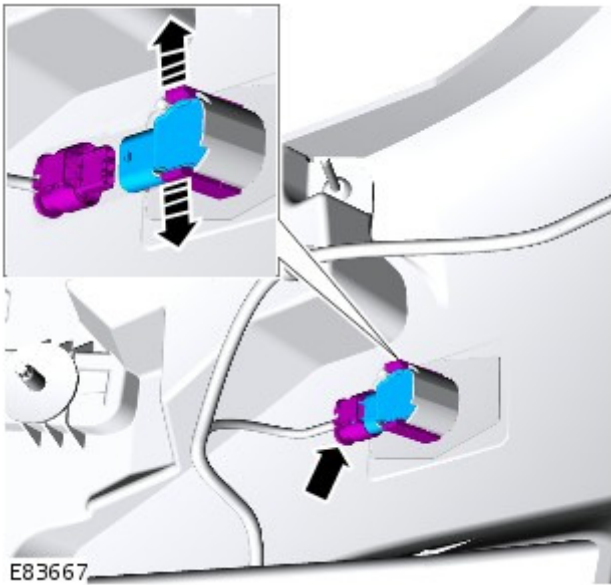
**8.** Remove the tire pressure antenna.

- Disconnect the electrical connector.
- Remove the 2 clips.
- Repeat the above procedure for the other side.



**9.** If installed: Remove the parking aid sensor.

- Disconnect the electrical connector.
- Release the 2 clips.
- Repeat the above for the other 3 sensors.



**10.** If installed: Remove the license plate.

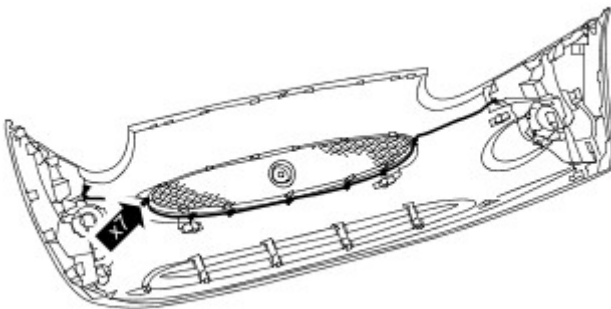
**11.** If installed: Remove the license plate panel.

- Remove the 3 clips.



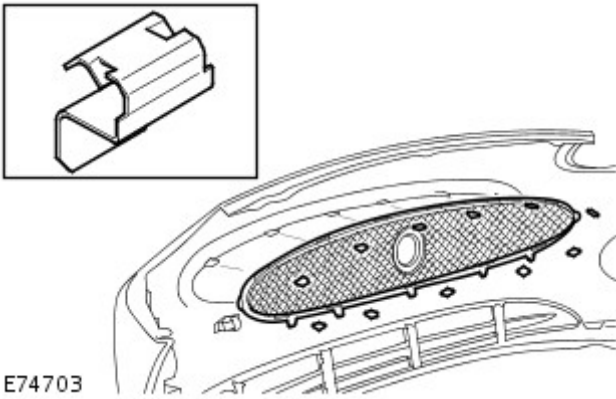
**12.** Release the wiring harness.

- Release the 7 clips.



**13.** Remove the radiator grille.

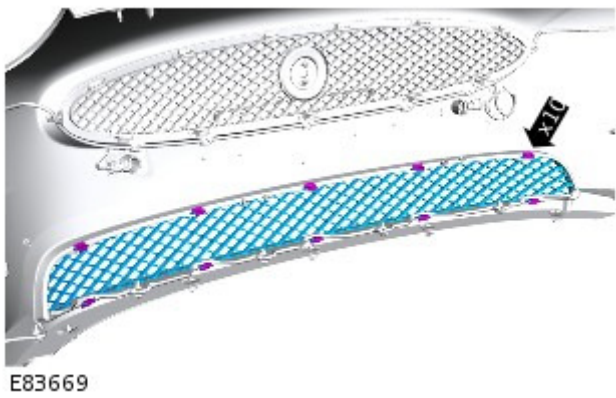
- Remove the 11 clips.



Vehicles with supercharger

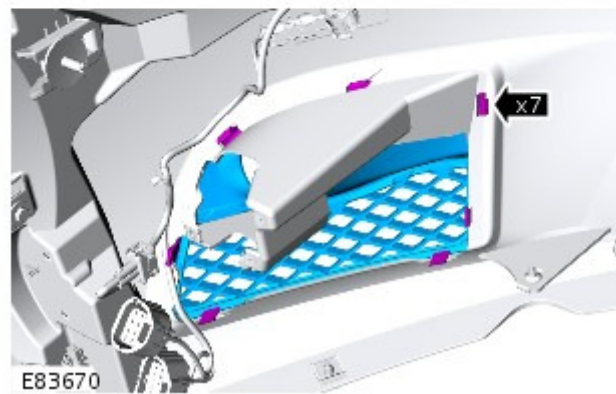
**14.** Remove the radiator lower grille.

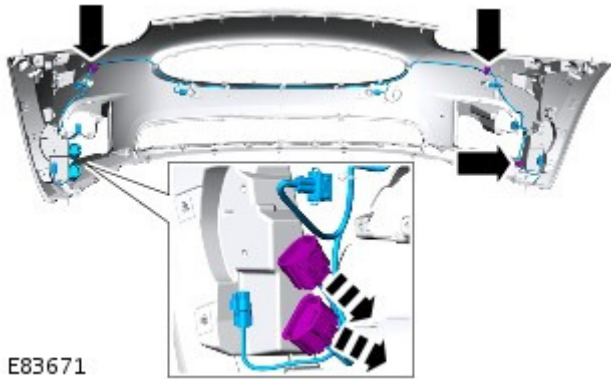
- Remove the 10 clips.



**15.** Remove the front fog lamp bezel.

- Release the 7 clips.
- Repeat the above procedure for the other side.





E83671

All vehicles

**16.** Remove the wiring harness.

- Release the 2 electrical connectors.
- Release the 3 clips.

**Installation**

All vehicles

**1.** Install the wiring harness.

- Secure the electrical connectors.
- Secure with the clips.

Vehicles with supercharger

**2.** Install the front fog lamp bezels.

- Secure the clips.

**3.** Install the radiator lower grille.

- Secure with the clips.

All vehicles

**4.** Install the radiator grille.

- Secure with the clips.
- Attach the wiring harness.

**5.** Install the license plate panel.

- Secure with the clips.

**6.** Install the license plate.

- Clean the component mating faces.

**7.** Install the parking aid sensors.

- Secure with the clips.
- Connect the electrical connectors.

**8.** Install the tire pressure antenna.

- Install the clips.
- Connect the electrical connectors.

**9.** Install the front fog lamps.

- Install the Torx screws.
- Connect the electrical connectors.

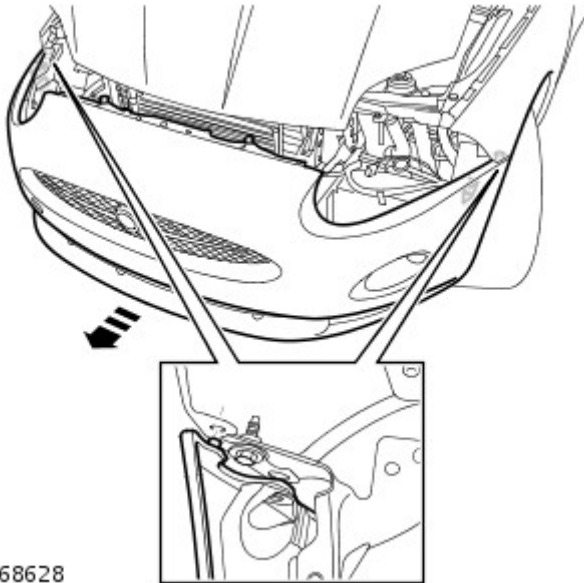
**10.** Install the towing eye cover.

**11. NOTE:** Make sure the bumper cover spigots are aligned with the locating holes in the fenders.

- **NOTE:** This step requires the aid of another technician.

Install the front bumper cover.

- Align the spigots and clips.
- Install and tighten the upper mounting bolts to 5 Nm (4 lb.ft), tighten the remaining bolts to 10 Nm (6 lb.ft).
- Connect the electrical connectors.



E68628

**12.** Raise the vehicle.**13.** Install the radiator splash shield.

For additional information, refer to: [Radiator Splash Shield](#) (501-02 Front End Body Panels, Removal and Installation).

**14.** Align and secure both fender splash shields.

- Install the Torx screws.

**15.** Install the headlamps.

For additional information, refer to: [Headlamp Assembly](#) (417-01 Exterior Lighting, Removal and Installation).