


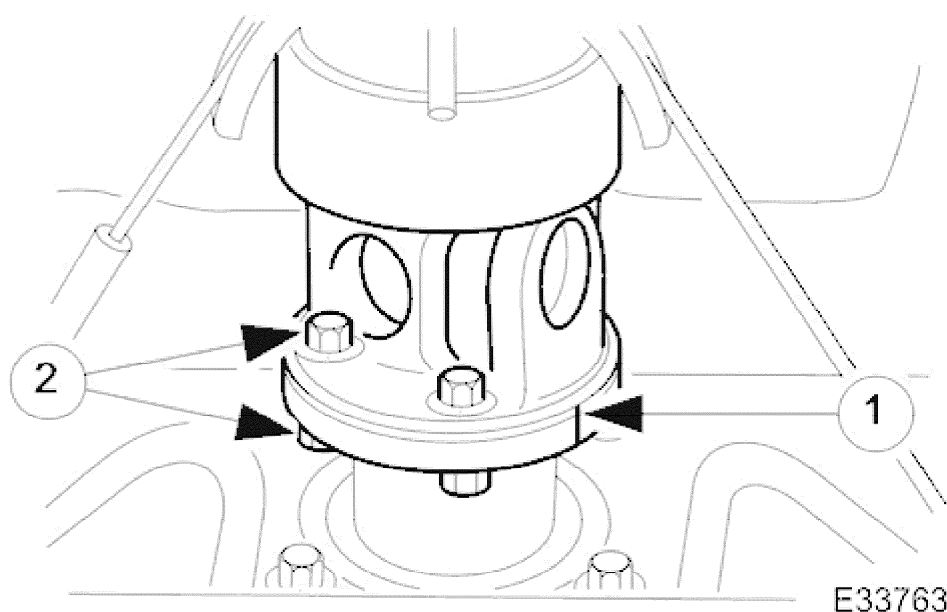
## Stabilizer Bar Mounting Frame Vehicles Without: Convertible Top 64.25.12

### Removal

1.  **CAUTION:**  
Replacement of nuts and bolts: Various thread-locking devices are used on nuts and bolts throughout the vehicle. These devices restrict the number of times a nut or bolt can be used. See section <<100-00>> for information.

Raise vehicle on a two-post lift. Refer to section <<100-02>>.

2. Remove RH rear wheel. Refer to section <<204-04>>.




3. Disconnect driveshaft from the differential drive-coupling.
  1. Reference-mark position of driveshaft coupling to differential coupling.
  2. Remove nuts and bolts.
    - Position driveshaft aside.

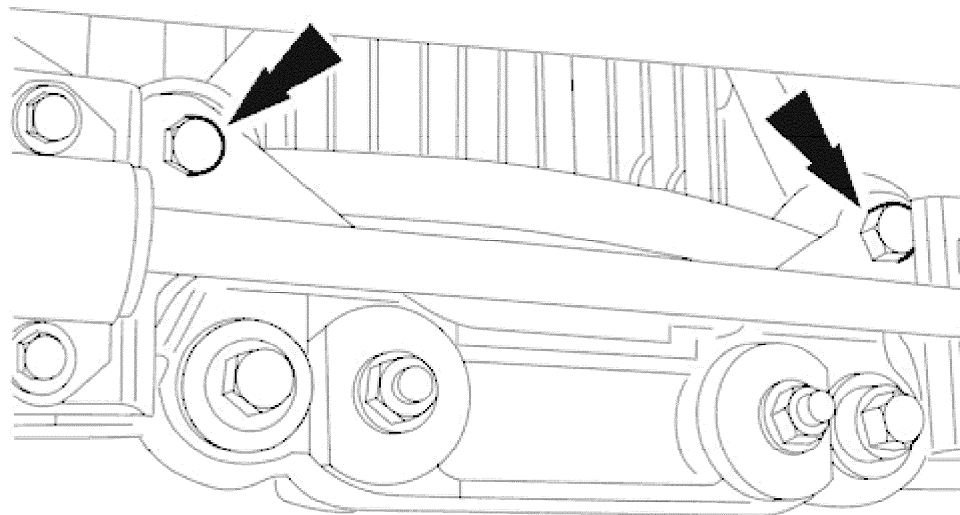
## 2001 XK RANGE - Rear Suspension - 204-02



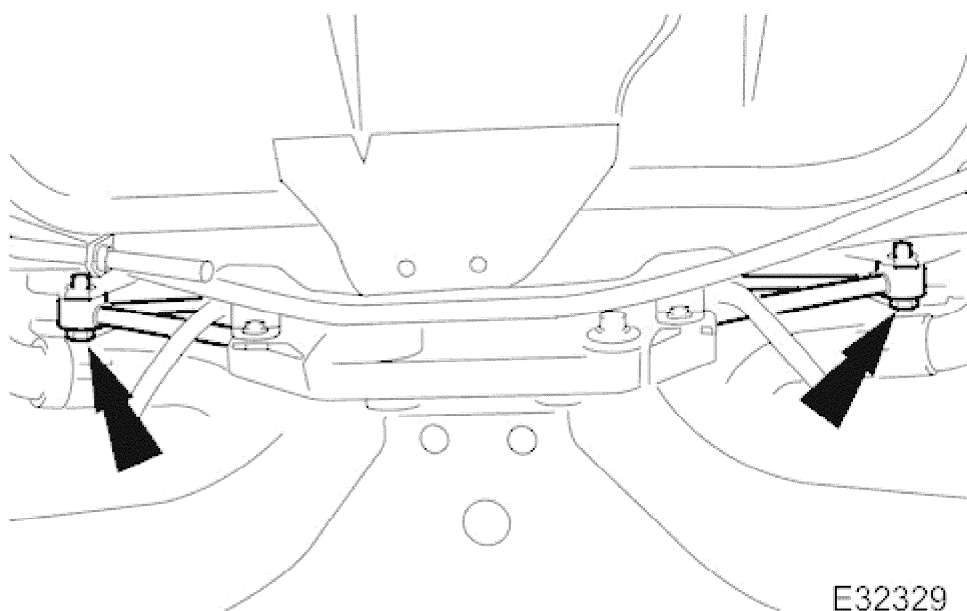
4. Release both exhaust tail pipes from rear mountings.

5.  **CAUTION:**  
To prevent damage to the axle assembly, position a piece of wood between the jack and axle assembly.

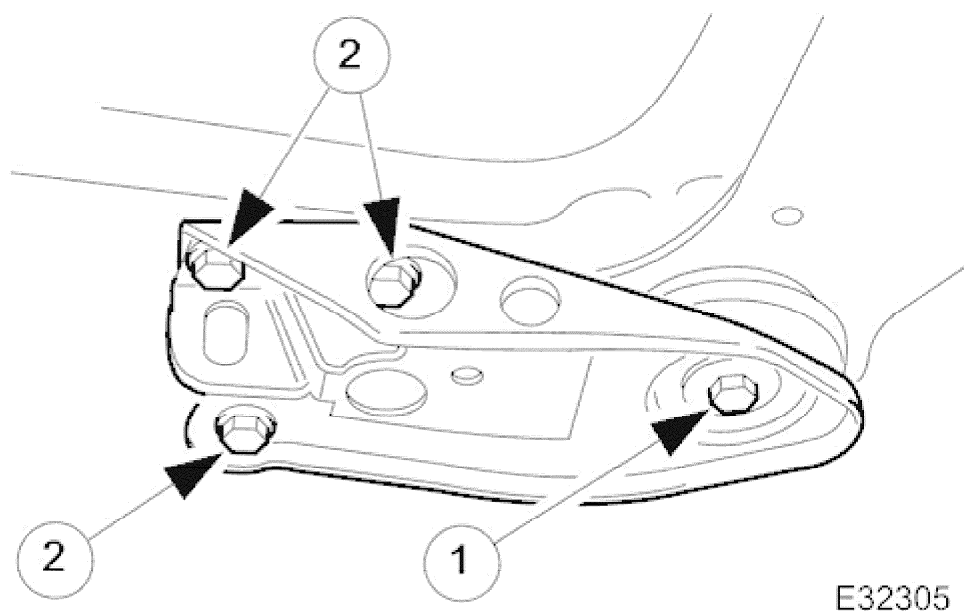
Position a suitable jack under the suspension subframe, and support the weight of the axle assembly.



6. Remove nuts and bolts securing monostrut to wishbone-tie assembly.



7. Remove bolts securing monostrut to body brackets.



8. Remove both mounting brackets from suspension subframe.

1. Remove bush center bolt from bracket.
  2. Remove bolts securing bracket to body.
- Remove bracket.
  - Repeat procedure to remove opposite-side bracket.

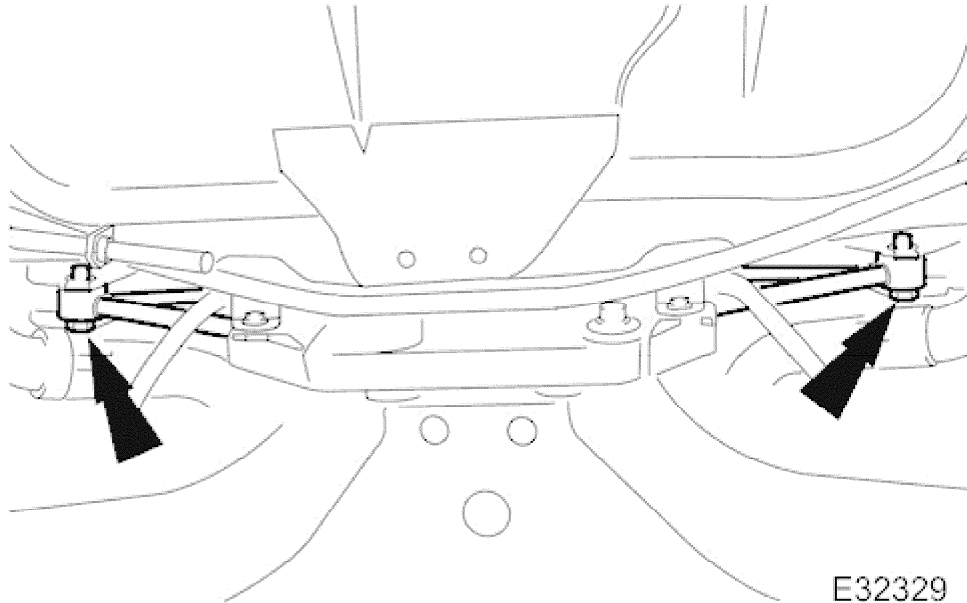
9. Lower axle assembly sufficiently (approximately 25mm), to allow for the removal of the monostrut.

10. Remove monostrut through RH wheel arch.

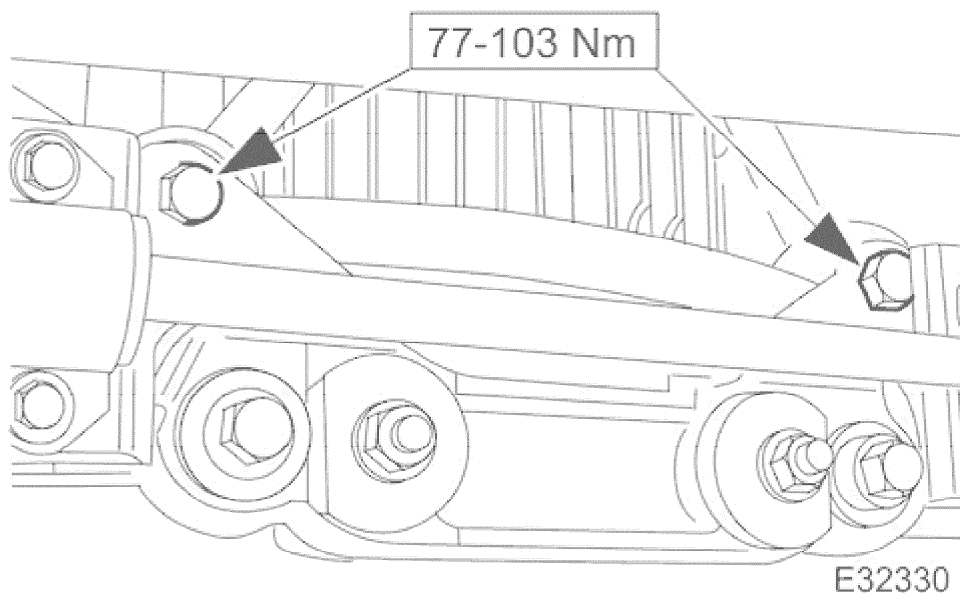
11. Clean relevant components and mating surfaces.

## Installation

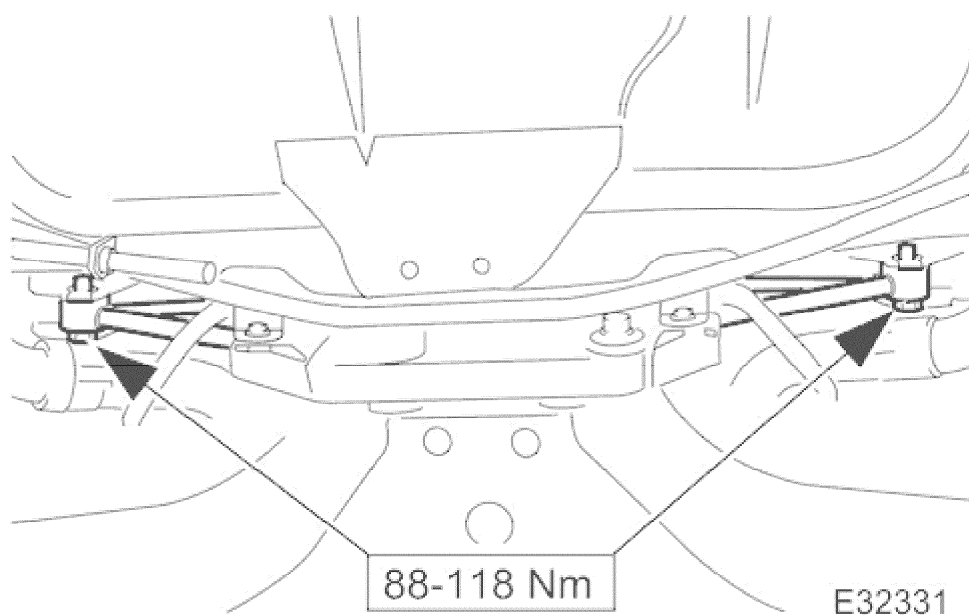
1. Manoeuvre monostrut into position and align in body brackets.



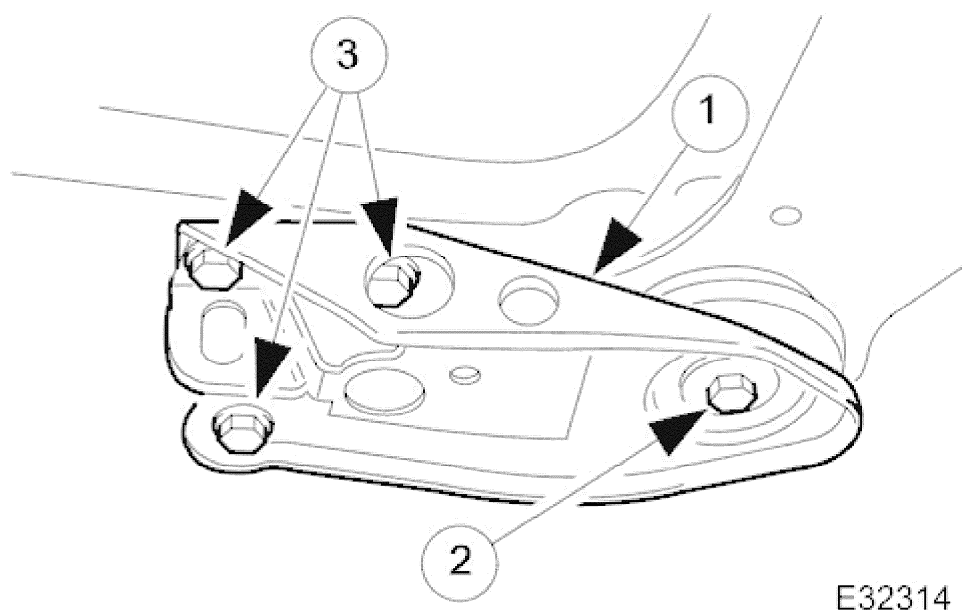
2. Fit bolts securing monostrut to body brackets, DO NOT tighten bolts at this stage.
3. Raise axle assembly on jack, and guide monostrut into wishbone-tie assembly brackets.



4. Fit nuts and bolts securing monostrut to wishbone-tie assembly.
  - Tighten nuts.



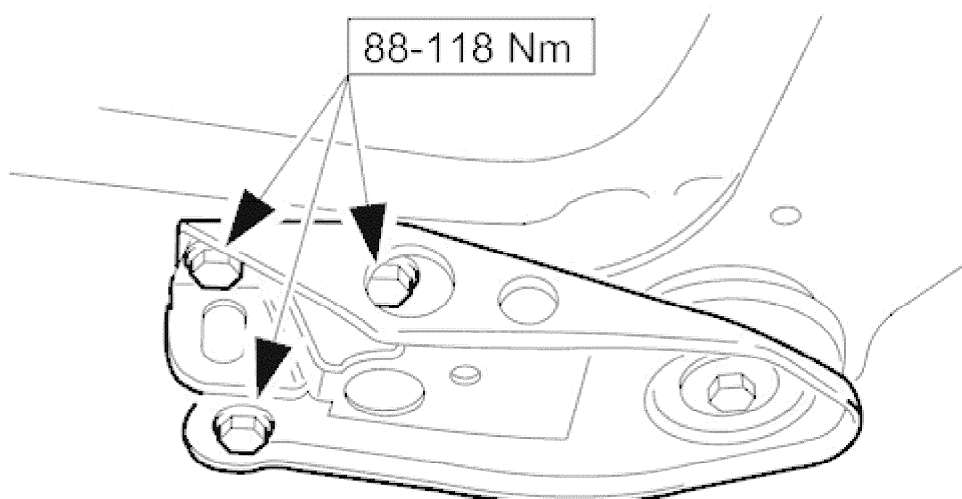
5. Tighten bolts , securing monostrut to body brackets.



6. Fit suspension subframe mounting-brackets.

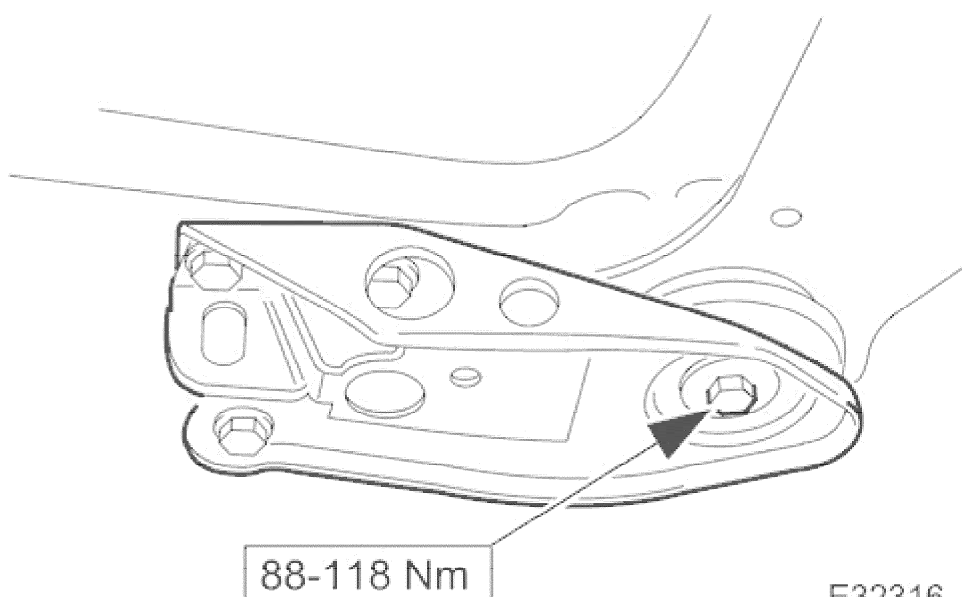
1. Position bracket to subframe.
  2. Fit bush center bolt, DO NOT tighten bolt at this stage.
  3. Fit bolts securing bracket to body, DO NOT tighten bolts at this stage.
- Repeat procedure on opposite-side mounting bracket.

## 2001 XK RANGE - Rear Suspension - 204-02



E32315

7. Tighten bolts securing mounting brackets to body.
  - Repeat procedure on opposite-side mounting bracket.



E32316

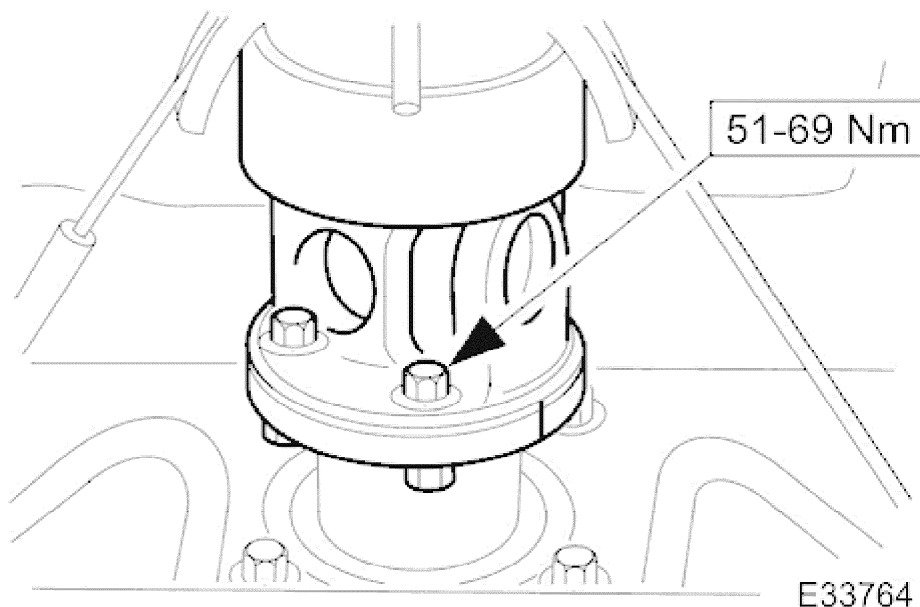
8. Tighten mounting bracket, bush center bolts.
  - Repeat procedure on opposite-side mounting bracket.
9. Remove jack from beneath axle assembly.

## 2001 XK RANGE - Rear Suspension - 204-02



E35374

10. Fit exhaust tail pipes to mountings.



E33764

11. Connect driveshaft to differential coupling.

- Align reference marks on couplings.
- Fit nuts and bolts.
- Tighten bolts.

12. Fit road wheel. Refer to section <<204-04>>.

13. Lower vehicle.