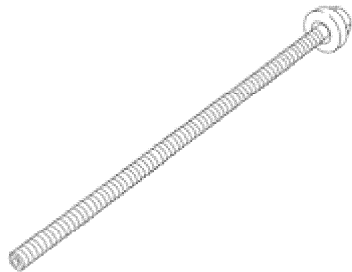


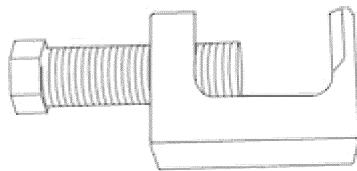
Front Lower Arm and Rear Lower Arm Assembly 60.35.02

Special Service tools



E36462

Ball Joint Taper Separator
204-192 (JD 219)



E31837

Ball joint splitter
204-293

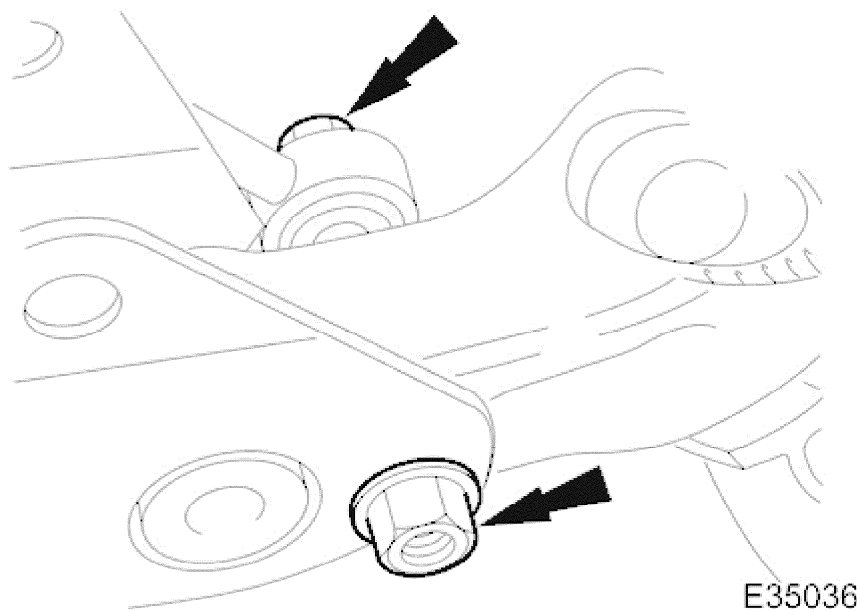
Removal 

CAUTION:

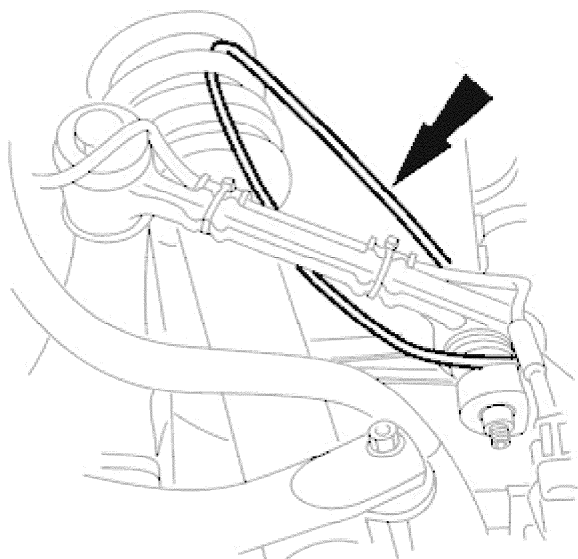
Replacement of nuts and bolts: Various thread-locking devices are used on nuts and bolts throughout the vehicle. These devices restrict the number of times a nut or bolt can be used. See section <<100-00>> for information.

1. Raise front of vehicle and support on stands. Refer to Section <<100-02>>
2. Remove appropriate front road wheel. Refer to Section <<204-04>>.

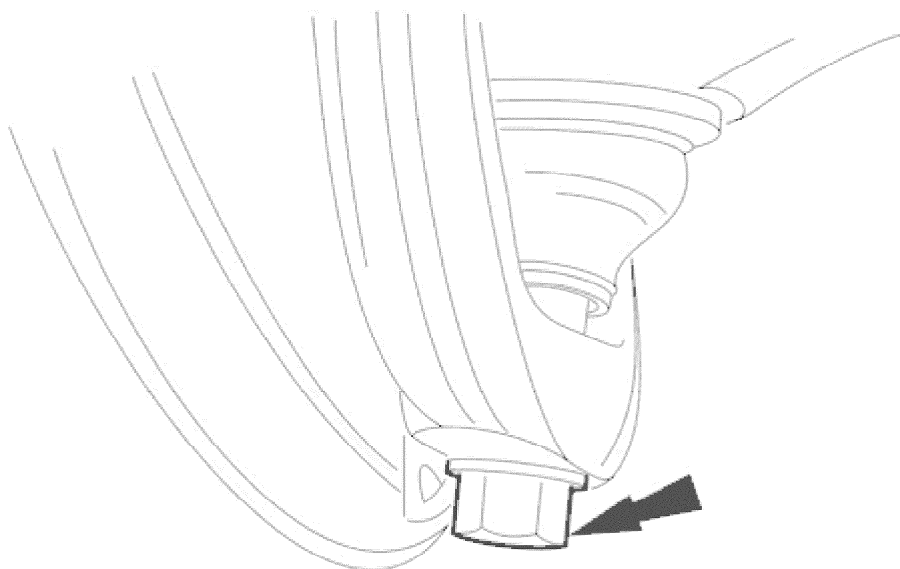
2003 XK RANGE - Front Suspension - 204-01



3. Remove nut and bolt securing stabilizer bar link-rod to lower wishbone.

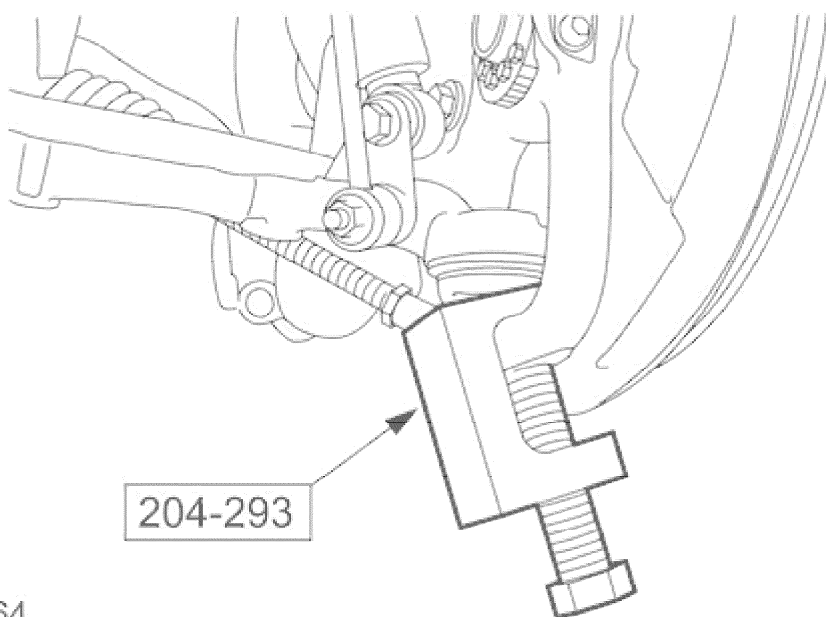


4. To prevent damage to upper ball joint, secure vertical link to road spring using strong wire.




E35039

5. Remove nut securing lower ball joint to vertical link.



E33564

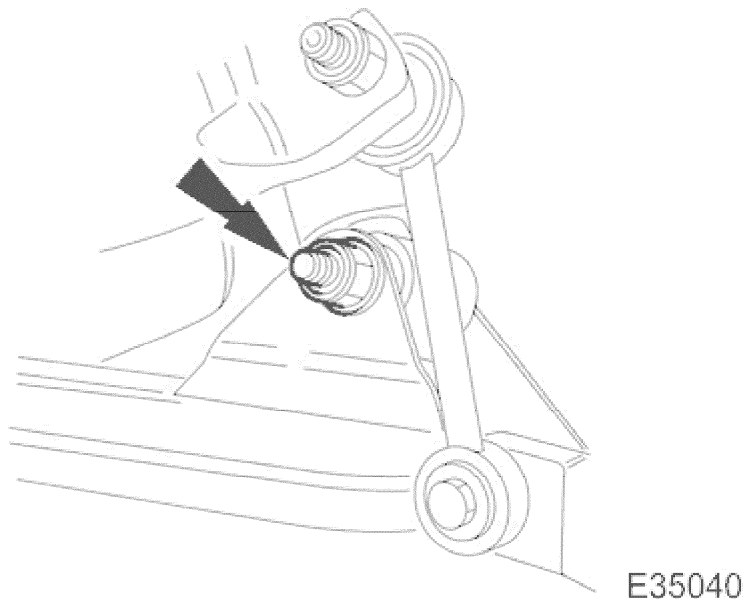
6.  **CAUTION:**
Do not use special tool 211-098 in the following procedure as this will damage the ball joint gaiter.

Release lower ball joint from vertical link.

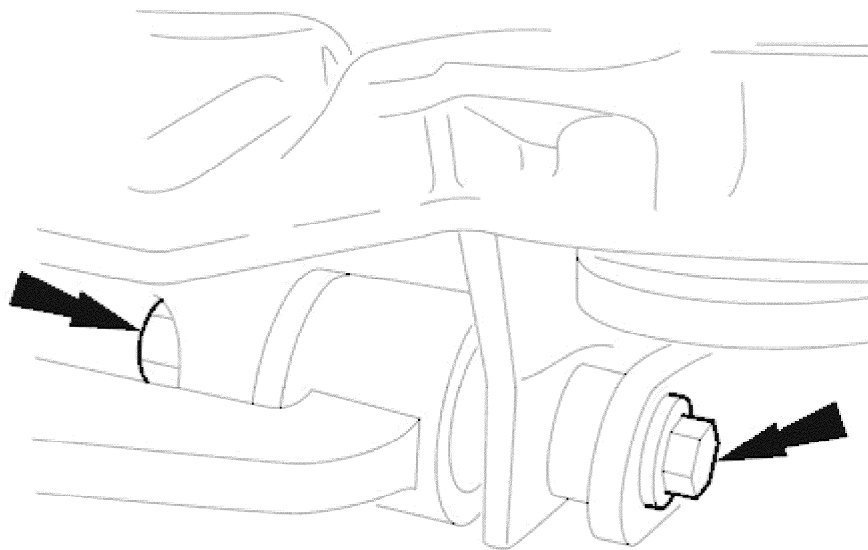
1. Install special tool 204-293 on ball joint.
2. Ensuring that rubber gaiter is not trapped, tighten tool bolt until ball joint taper pin is released from vertical link.

7. Remove special tool from ball joint.

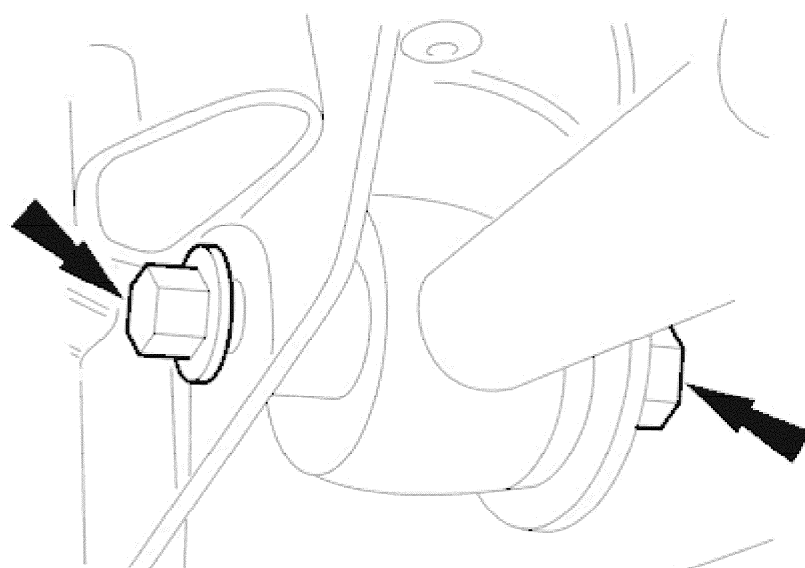
2003 XK RANGE - Front Suspension - 204-01



8. Remove shock absorber lower nut and bolt.

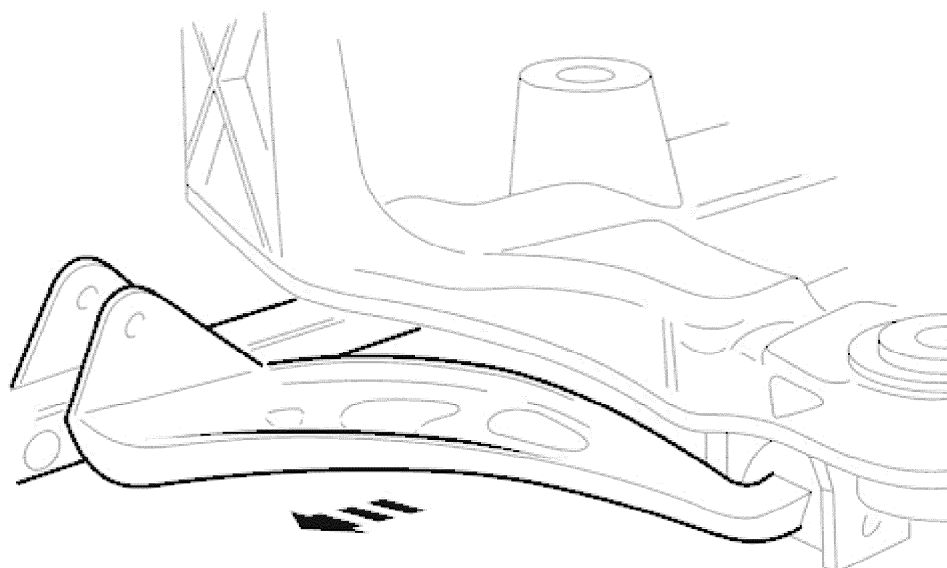


9. Remove nut and bolt securing lower wishbone front arm to cross-beam.



E35042

10. Remove nut and bolt securing lower wishbone rear arm to cross-beam



E35043

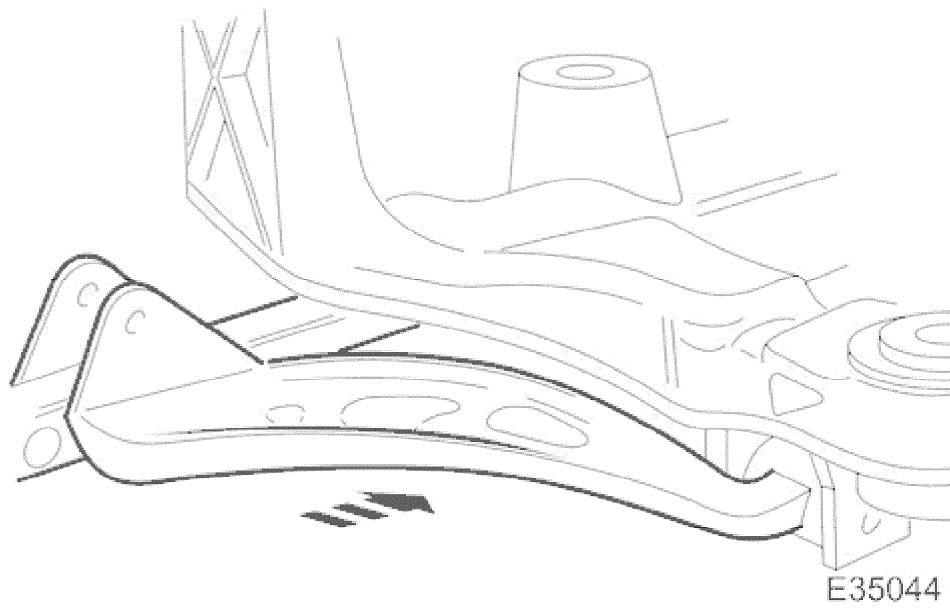
11. Remove lower wishbone/ball joint assembly from cross-beam.

12. Thoroughly clean wishbone and ball joint. assembly

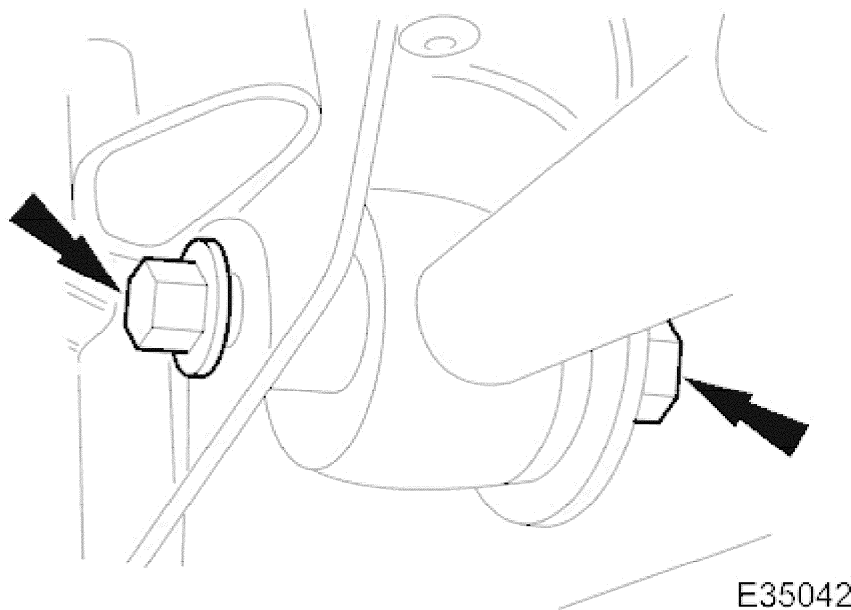
13. Check that ball joint gaiter is free from cuts or abrasions.

Installation

2003 XK RANGE - Front Suspension - 204-01

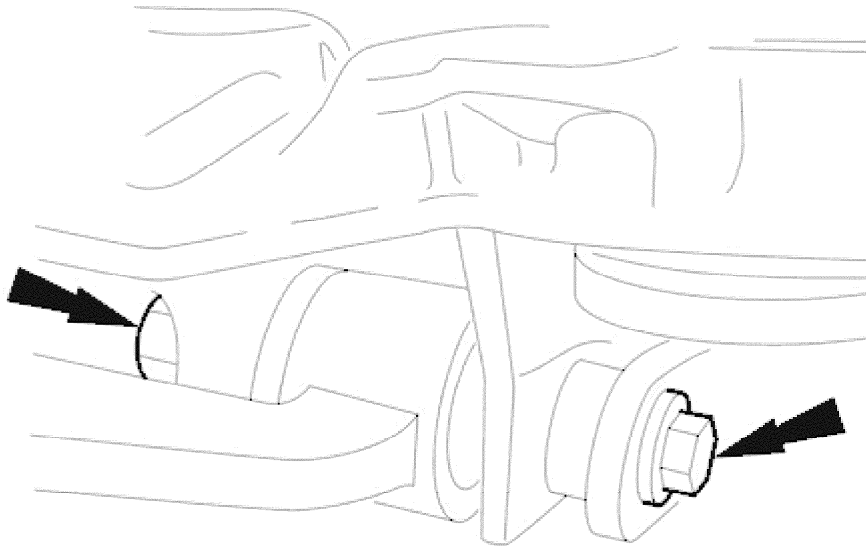


1. Position lower wishbone on suspension cross-beam and vertical link.



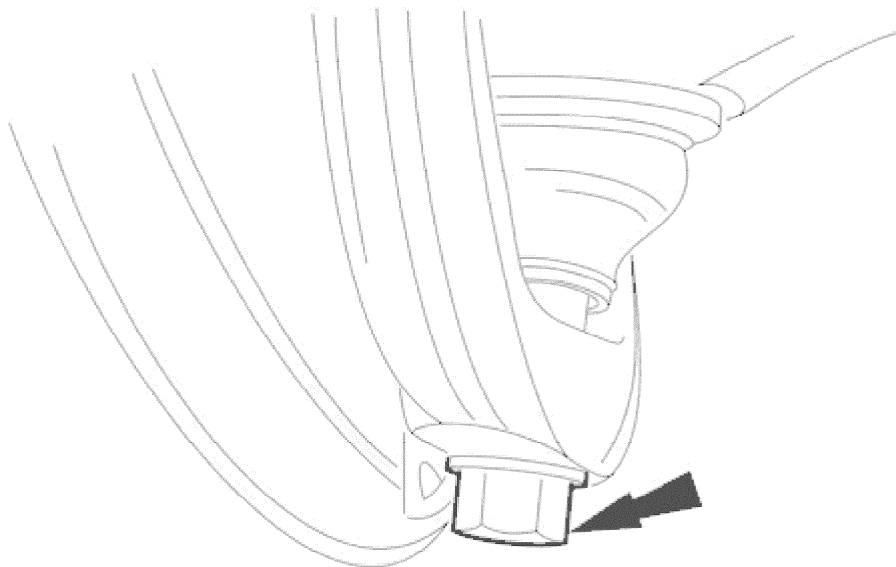
2. Install but do not tighten wishbone rear arm to cross beam pivot nut and bolt.

2003 XK RANGE - Front Suspension - 204-01



E35041

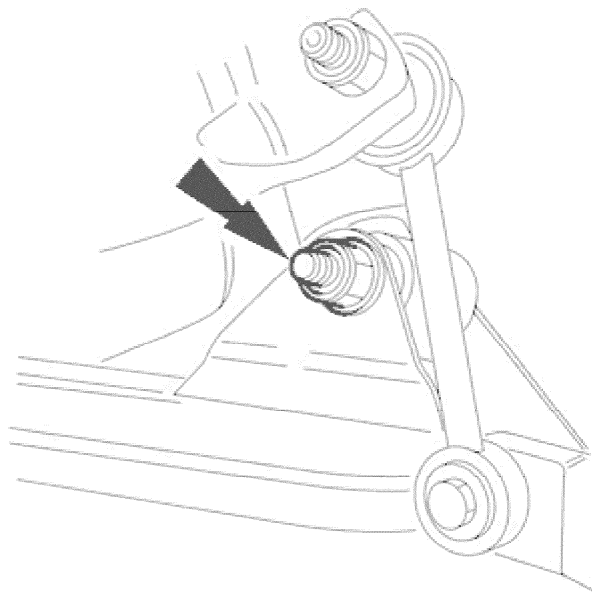
3. Install but do not tighten wishbone front arm to cross beam pivot nut and bolt.



E35039

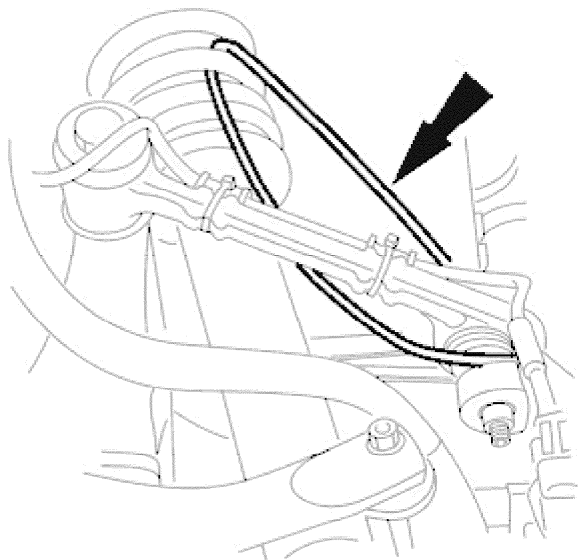
4. Install nut securing lower ball joint to vertical link and tighten to 60-80Nm.

2003 XK RANGE - Front Suspension - 204-01



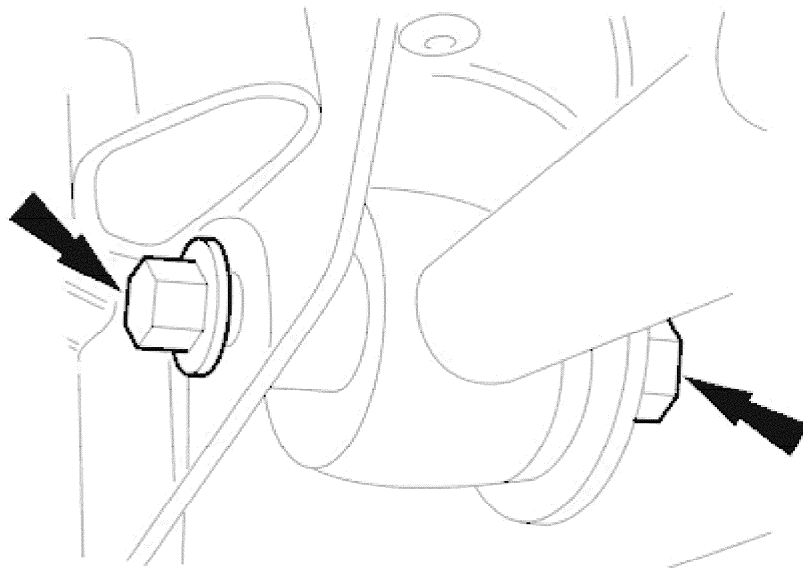
E35040

5. Align lower end of shock absorber with wishbone, install nut and bolt and tighten to 60-80Nm.



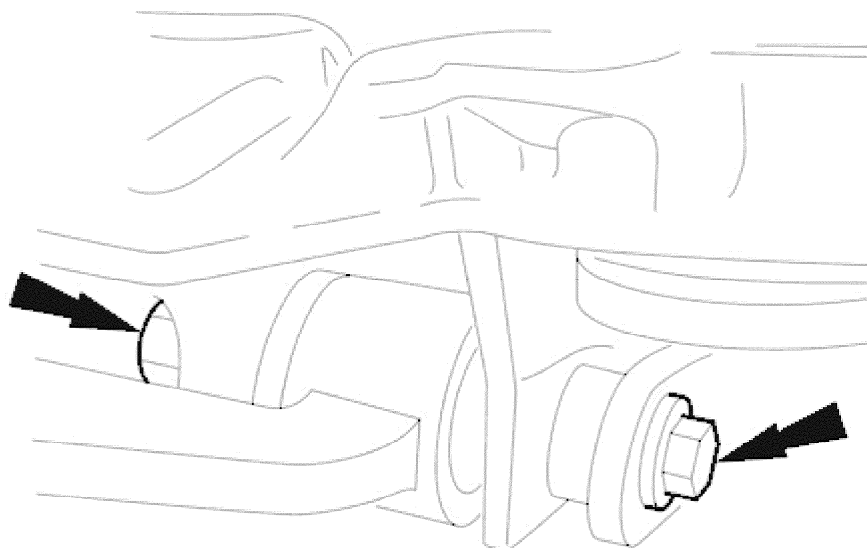
E35037

6. Remove wire temporarily securing vertical link to road spring.



E35042

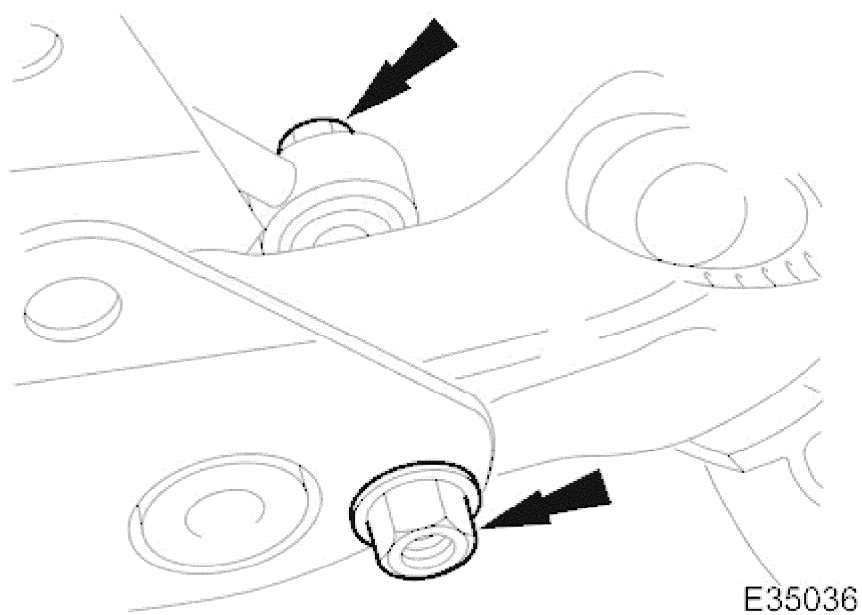
7. Tighten wishbone rear arm pivot nut and bolt to 113-153Nm.



E35041

8. Tighten wishbone front arm pivot nut and bolt to 113-153Nm.

2003 XK RANGE - Front Suspension - 204-01



9. Align stabilizer bar link rod with lower wishbone, install nut and bolt and tighten to 39-55Nm.
10. Install road wheel. Refer to Section <<204-04>>.
11. Raise vehicle, remove stands and lower vehicle. Refer to Section <<100-02>>.