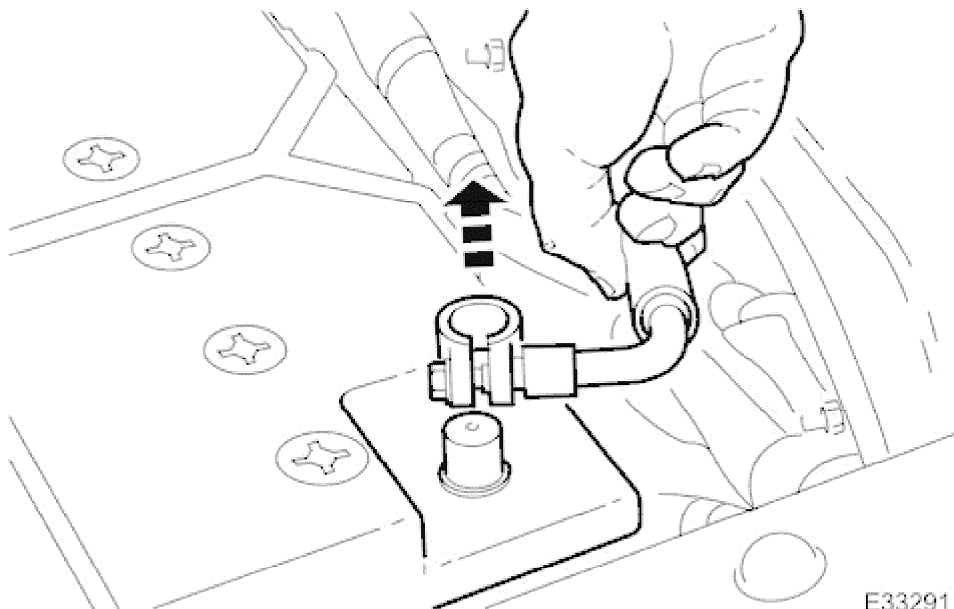


Door Speaker 86.50.13

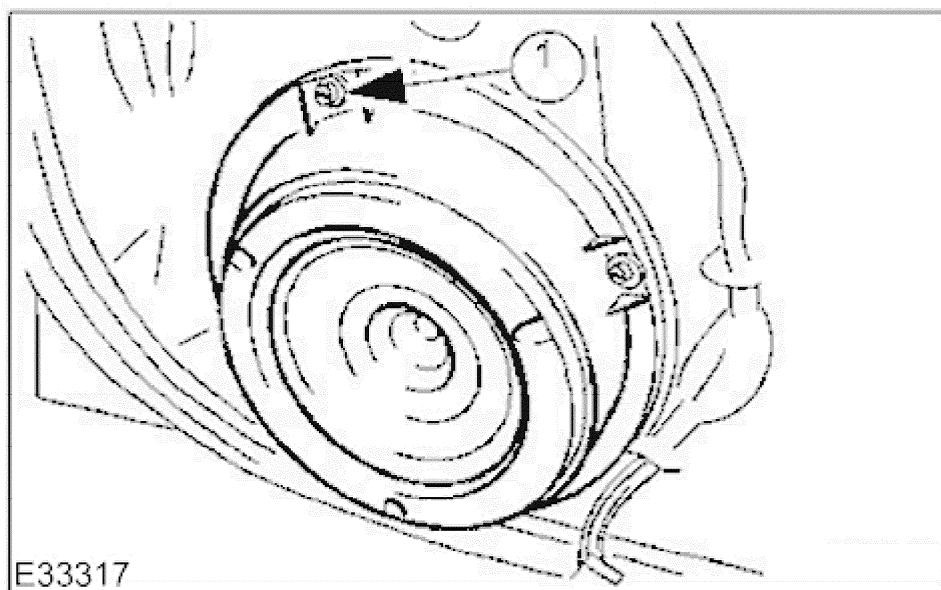
Removal

1. Open the driver's door, or both doors if necessary, to allow the side glass to drop. Ensure that the doors remain open until after the battery has been disconnected.



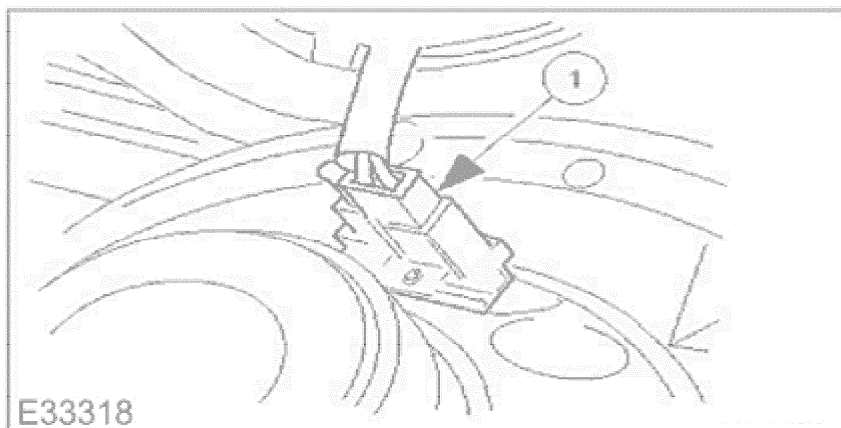
2. Disconnect the battery ground cable.
 - Remove the battery cover.

3. Remove the trim pad from the door; refer to <<501-05>>.



4. Remove the door speaker from the door.
 1. Remove the four bolts which secure the speaker.

2000 XK RANGE - Speakers - 415-03



5. Disconnect and remove the speaker.
 1. Support the speaker, disconnect the multi-plug and remove the speaker.

Installation

1. Installation is the reverse of removal, noting that the battery must be reconnected in accordance with <<414-01>>.