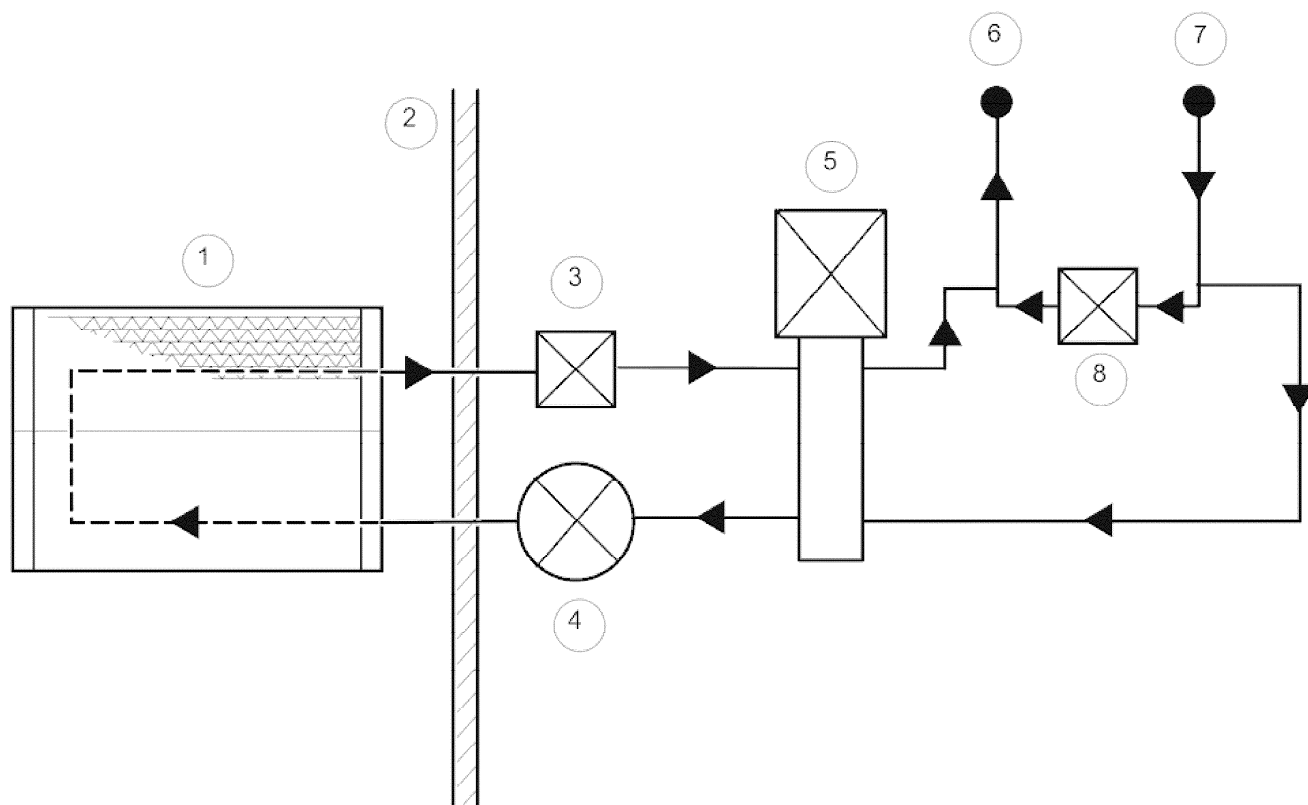


Heating and Ventilation

Schematic Diagram



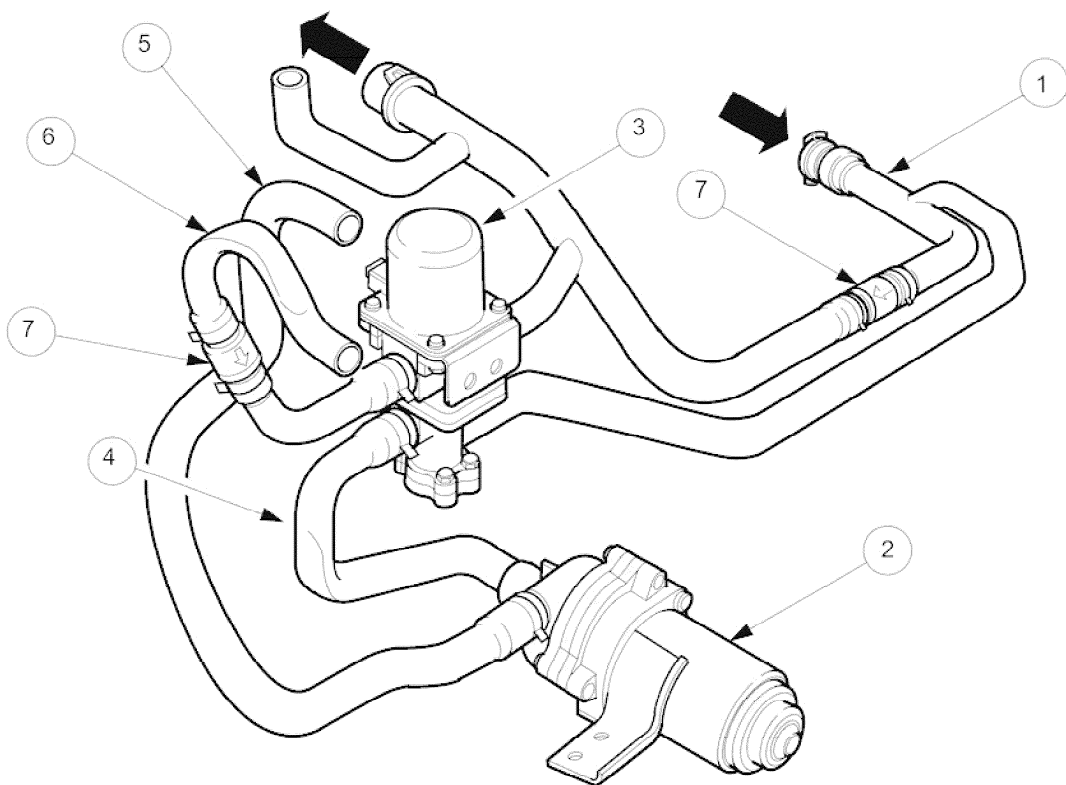
E34321

Parts List

Item	Description
1	Heater matrix
2	Firewall
3	Non return valve
4	Water pump
5	Water valve
6	Return to engine
7	Feed from engine
8	Non return valve (heater bypass)

Heater System Components

2002 XK RANGE - Heating and Ventilation - 412-02



E34318

Parts List

Item	Description
1	Hose - heater (from engine)
2	Assembly pump - water
3	Assembly valve - water
4*	Hose - water valve to water pump
5	Hose - water pump to heater (feed)
6*	Assembly hose - heater to water valve (return)
7	Valve - non return

NOTE:

* These hoses are flattened at the bends by design and NOT by incorrect installation.

The heater circuit 'scavenges' coolant from the engine cooling system by means of an electric water pump. The water pump has a protection circuit to inhibit operation when the coolant temperature is $<16^{\circ}\text{C}$; this is to prevent possible damage to the impeller due to the presence of coolant borne ice particles. Coolant is drawn from the engine system through the water valve inlet port into the heater matrix. The coolant passes through the bottom section of the heater matrix from left to right filling the end tank of the matrix before returning through the top half of the matrix and through the outlet ports of the water valve and back into the engine cooling system.

Non return valves are located in the heater bypass hose and the hose between heater outlet and water valve. These valves are required to prevent coolant flowing in the wrong direction at low engine speeds and restrict convected flow through the heater after the engine is switched off.

When the exterior ambient temperature is $>3^{\circ}\text{C}$ the refrigeration system automatically operates cooling and dehumidifying incoming air before it is re-heated by the heater matrix.

Water Valve Assembly

Location

2002 XK RANGE - Heating and Ventilation - 412-02

The water valve assembly is located above the water pump, in the engine compartment and is secured to the firewall by a bracket. The valve operates by means of an electrical solenoid which oscillates the valve stem between the inlet and outlet ports.

A heatshield protects the water valve from exhaust system radiated heat.

When in automatic mode, the water valve is controlled by the following inputs to the A/CCM:

- Face outlet temperature, corrected for solar loading
- 'Air off' heater matrix temperature
- External ambient display temperature
- Coolant temperature
- Engine speed (valve closed with the engine not running)
- Demand (set) temperature

Re-heating of the refrigerated air is controlled by the time that the water valve is open (i.e. not energised) over a six second interval. The duty cycle of the water valve, the time open / time closed, is controlled by the A/CCM.

Maximum heating demand will cause the water valve to be fully open (not energised) to allow maximum coolant flow through the heater matrix.

At Maximum cooling, the water valve will be fully closed (energised) to prevent hot (engine temperature) coolant entering the heater circuit; the pump however will continue to circulate coolant through both the heater matrix and water valve bypass.

The water valve defaults open when the ignition is OFF.

Under engine stall conditions, when ignition is ON, the water valve will be open.

Water Pump Assembly

Located in the same area as the water valve, the water pump continually circulates coolant through the heater matrix except when the conditions below apply:

- The engine coolant is below 16°C.
- The ignition is OFF.
- Under engine stall conditions, when ignition is ON.
- Control panel OFF

Non return valves

The heater bypass hose has a non-return valve, located between the engine feed and return hoses. The valve prevents the water pump from recirculating coolant from the heater at low engine speeds.

The flow indicator arrow embossed on the valve body **MUST** point towards the coolant header tank.



CAUTION:

Coolant flow will be compromised if either valve is fitted incorrectly. Observe the correct direction.

A second non-return valve is located in the heater outlet to water valve hose. This valve prevents hot coolant from flowing into the heater with the engine switched off. The flow indicator arrow **MUST** point towards the water valve.

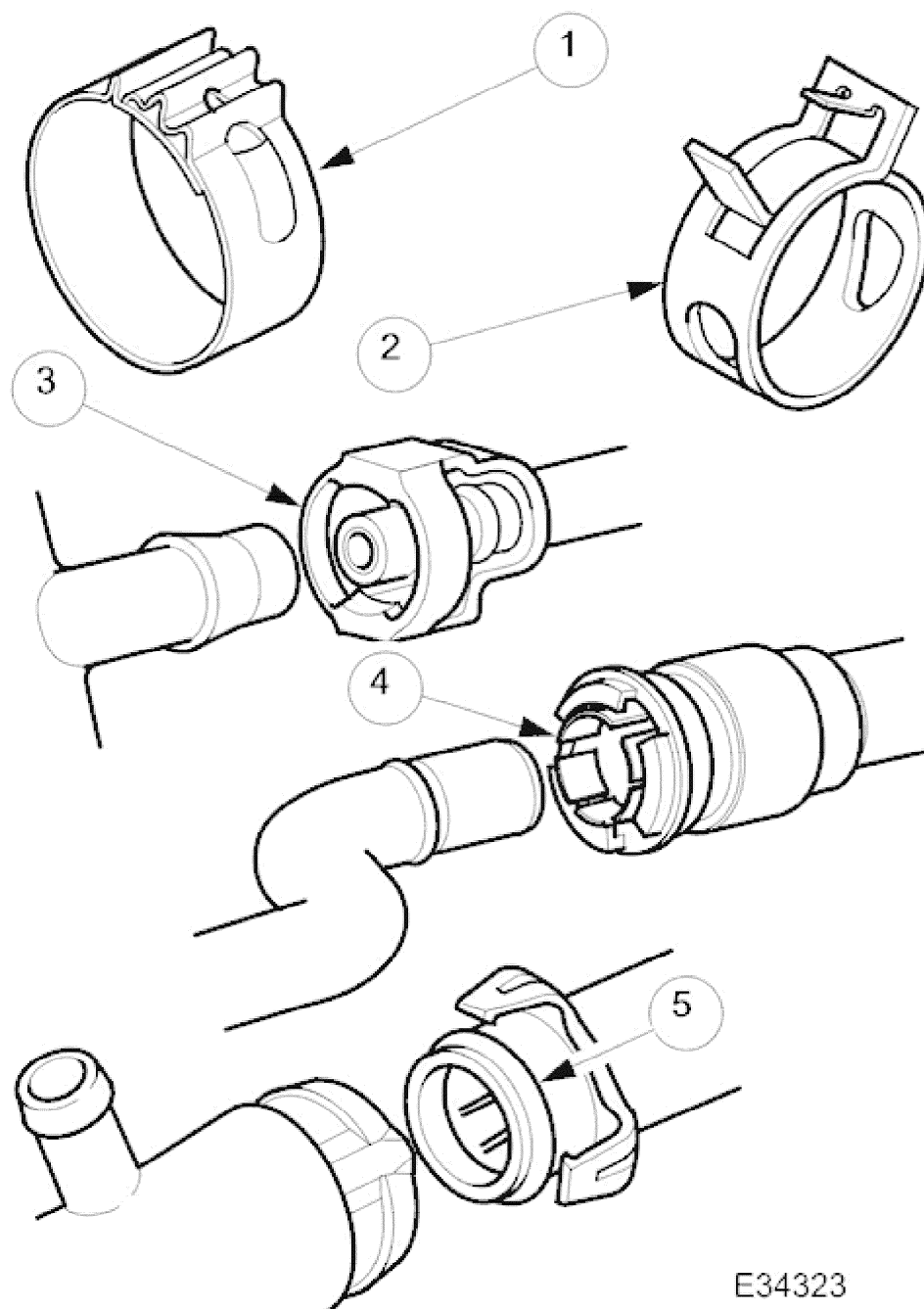
Heater feed and return hoses

2002 XK RANGE - Heating and Ventilation - 412-02

The heater feed and return hoses are connected to the engine feed and return hoses by 'Quick-Fit' connection unions. The feed hose has a Norma R20 connector and the return hose a Norma push and seal connector. The coolant system bleed joints have Cobra clamps. All remaining hose connections have spring band hose clamps.

The engine feed hose is connected to the engine bypass housing and the engine return hose is connected to the engine water pump.

Clamp Identification



E34323

Parts List

Item	Description
------	-------------

2002 XK RANGE - Heating and Ventilation - 412-02

1	Cobra
2	Spring band
3	Quick-fit
4	Norma push and seal 'R' type
5	Norma push and seal 15