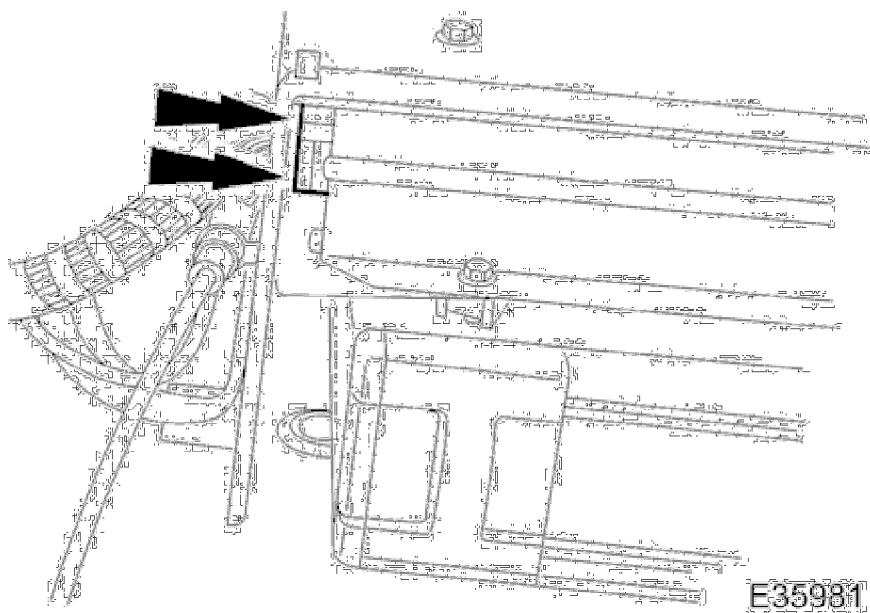


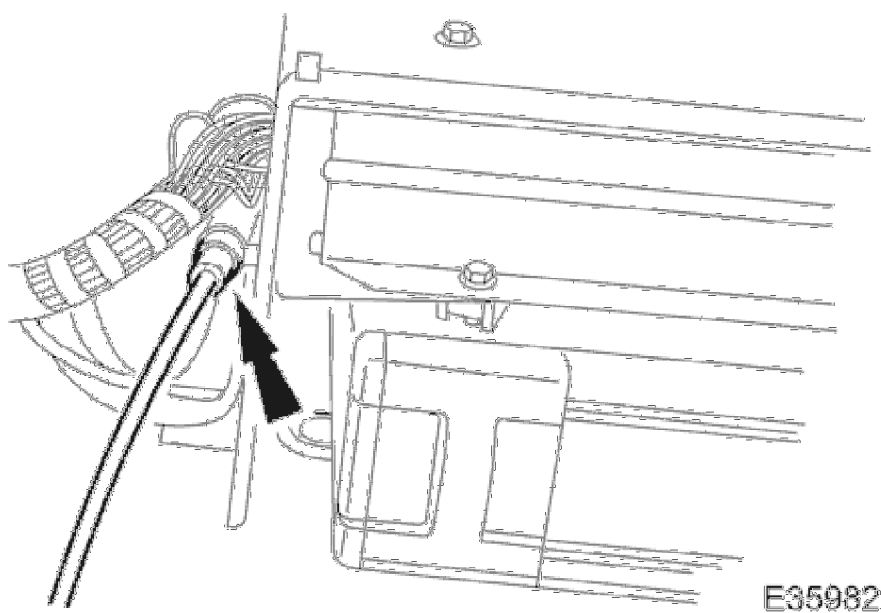
## Compact Disc (CD) Changer 86.50.06

### Removal

1. Remove battery cover and disconnect ground cable from battery terminal. Refer to <<86.15.19>>.
2. Remove RH side liner from trunk. Refer to <<76.19.22>>.

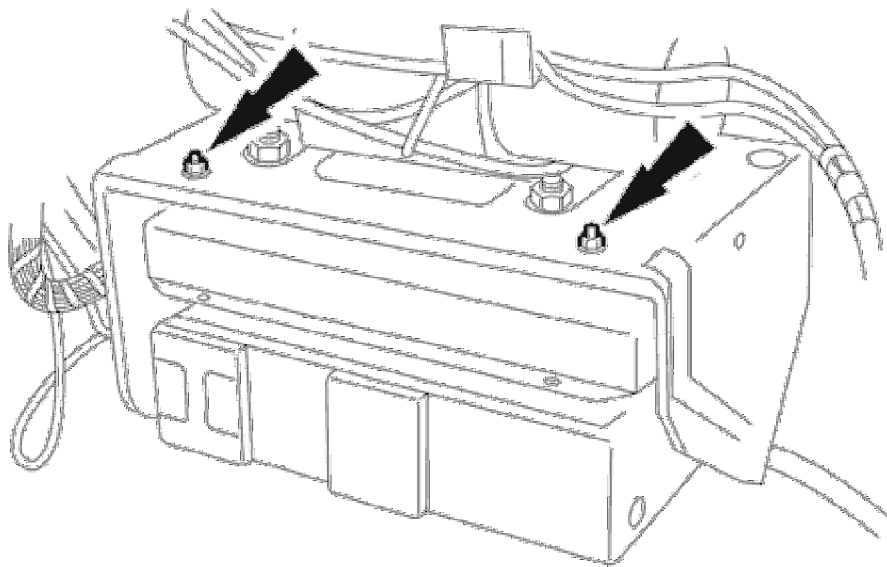


3. Premium ICE only:
  - Disconnect amplifier harness multiplugs.



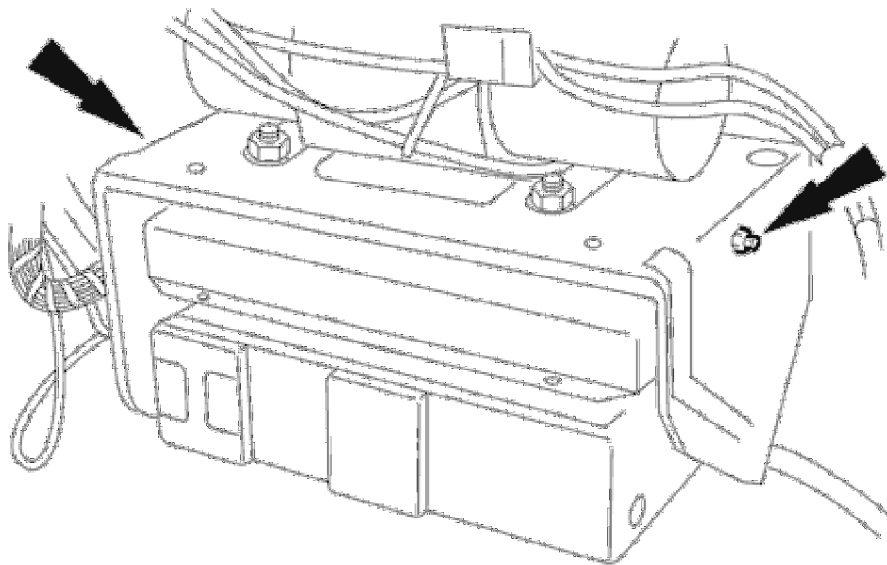
4. Disconnect CD autochanger data cable.

## 2002 XK RANGE - Audio Unit - 415-01



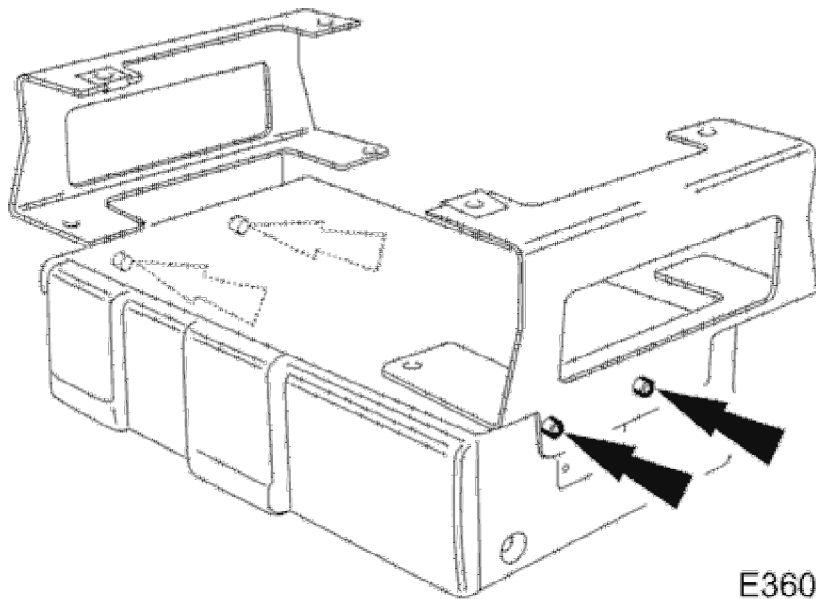
E35985

5. Remove upper bolts securing autochanger mounting bracket to outer mounting bracket.



E35984

6. Remove side bolts securing autochanger mounting bracket to outer mounting bracket



E36012

7. Withdraw autochanger/mounting bracket assembly from trunk and remove four bolts securing autochanger to bracket.

### Installation

1. Position autochanger on mounting bracket and fit and install securing bolts.
2. Position autochanger/mounting bracket assembly in trunk.
3. Install upper bolts securing autochanger mounting bracket to outer mounting bracket.
4. Install side bolts securing autochanger mounting bracket to outer mounting bracket.
5. Connect amplifier harness multiplugs.
6. Connect CD autochanger data cable
7. Install trunk RH liner .
8. Connect ground cable to battery terminal and install battery cover. Refer to <<86.15.15>>.