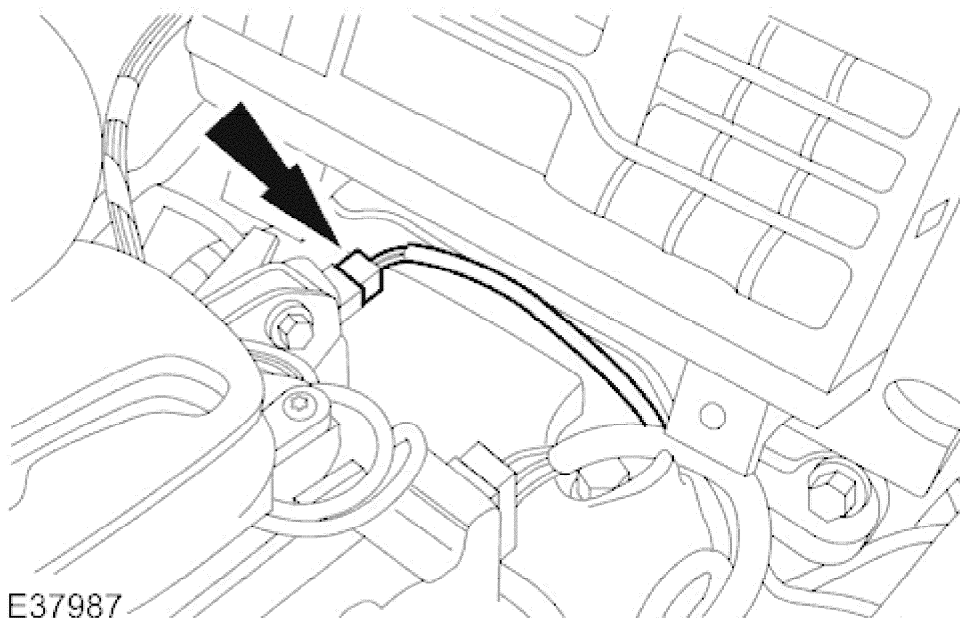


## Brake Shift Interlock Actuator 44.15.48

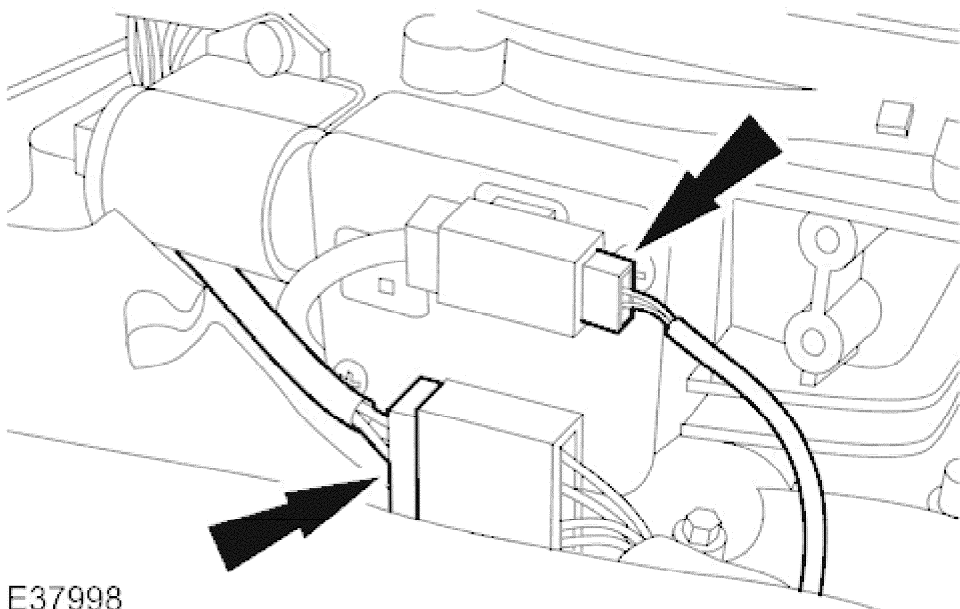
### Removal

1. Remove the floor console. <<501-12>>



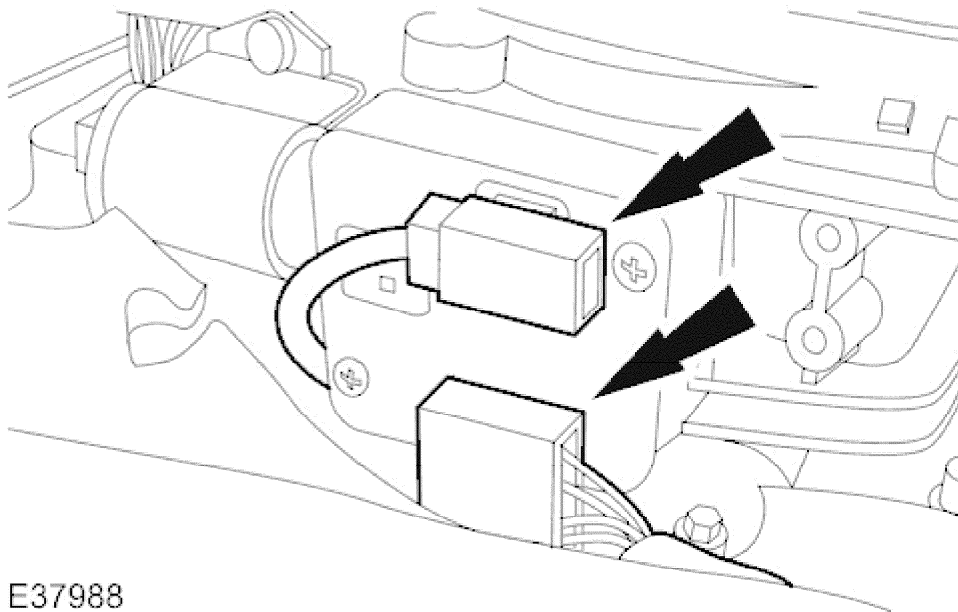
E37987

2. Disconnect the brake shift interlock actuator electrical connector.



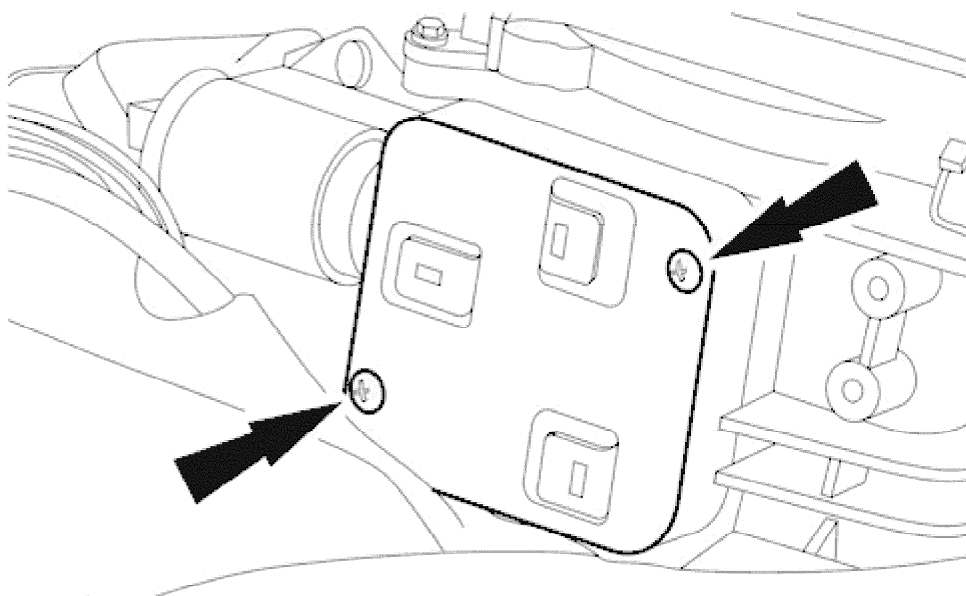
E37998

3. Disconnect the park position switch and selector lever indicator assembly electrical connectors.



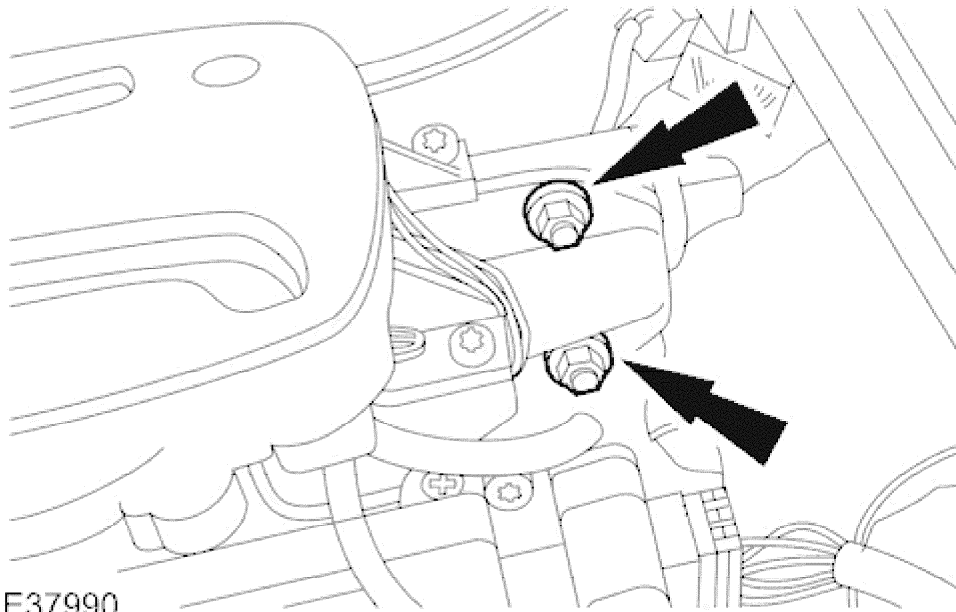
E37988

4. Detach the park position switch and selector lever indicator assembly electrical connectors.



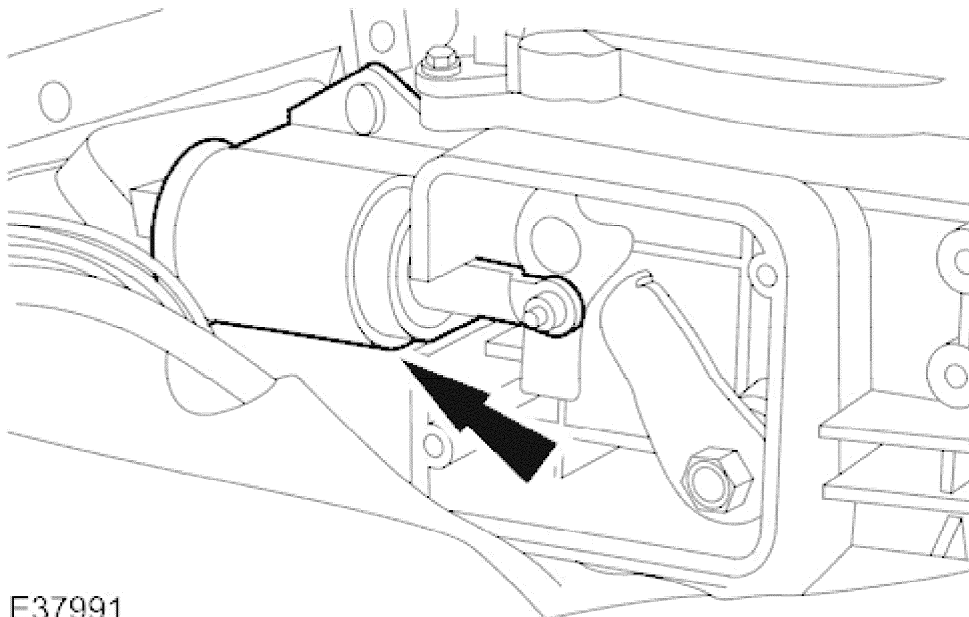
E37989

5. Remove the brake shift interlock actuator cover.



E37990

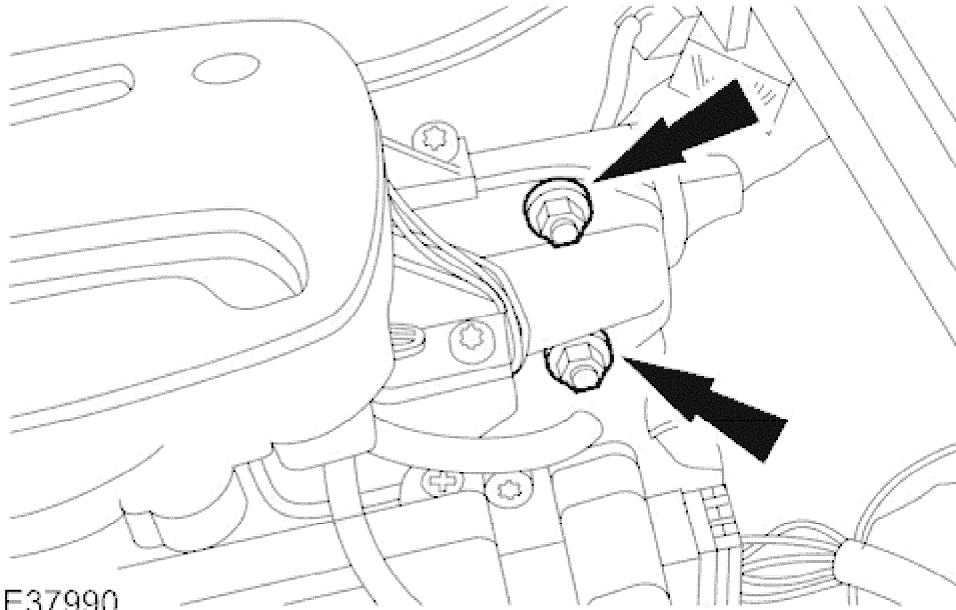
6. Remove the brake shift interlock actuator retaining nuts.



E37991

7. Remove the brake shift interlock actuator.

### Installation



E37990

1. To install, reverse the removal procedure.
  - Tighten to 5 Nm.