
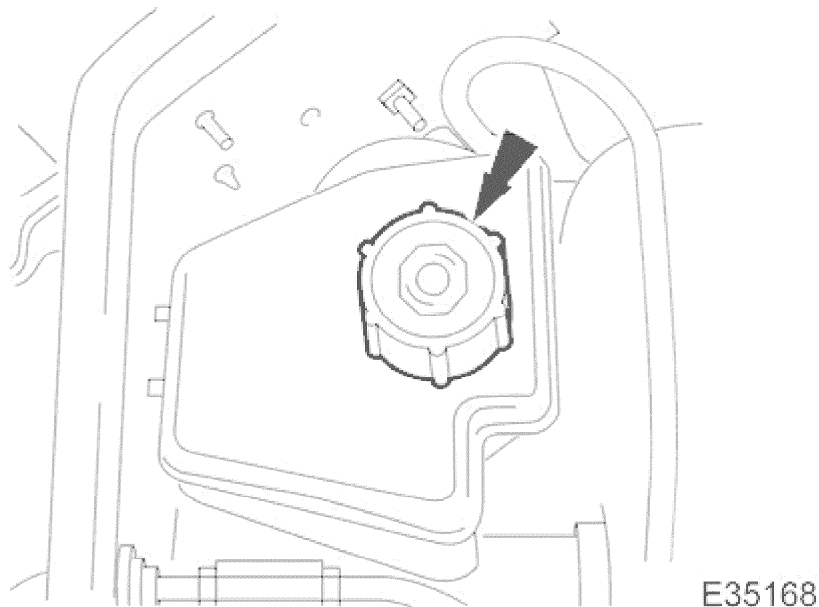


## Brake Pads 70.40.02

Removal  **WARNING:**  
**BRAKE DUST, IF INHALED CAN DAMAGE YOUR HEALTH. ALWAYS REMOVE BRAKE DUST USING A VACUUM BRUSH. DO NOT USE A COMPRESSED-AIR LINE TO DISPERSE BRAKE DUST INTO THE ATMOSPHERE.**

 **CAUTION:**  
**Replacement of nuts and bolts: Various thread-locking devices are used on nuts and bolts throughout the vehicle. These devices restrict the number of times a nut or bolt can be used. See section <<100-00>> for information.**

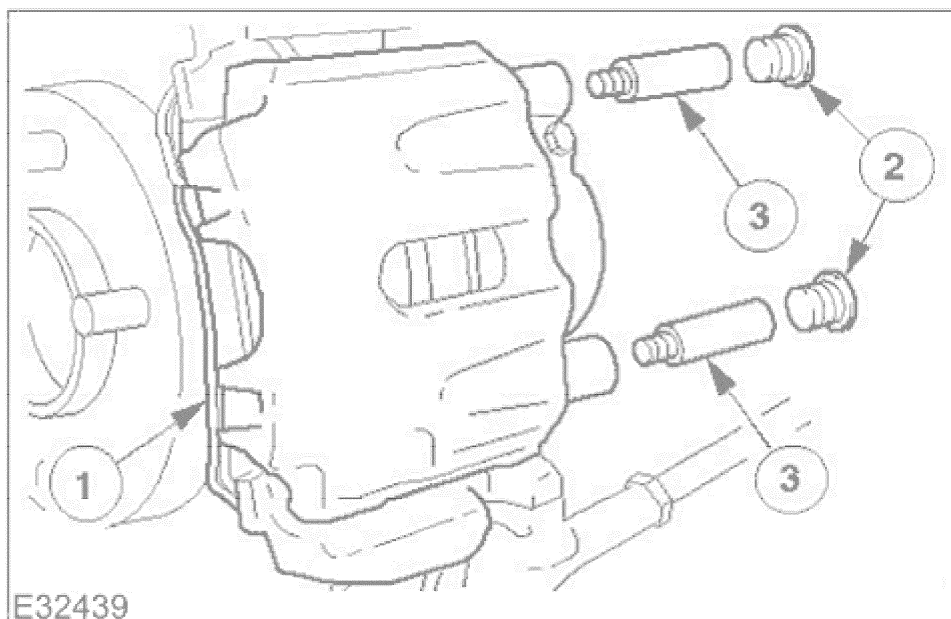
1. Open engine compartment and fit paint work protection covers to fenders.
2. Raise front of vehicle and support on stands. See Section <<100-02>>.
3. Remove front wheels. See Section <<204-04>>.




4.  **CAUTION:**  
**Remove brake fluid spillage immediately from paint work, with clean water.**

Loosen brake fluid reservoir-cap.

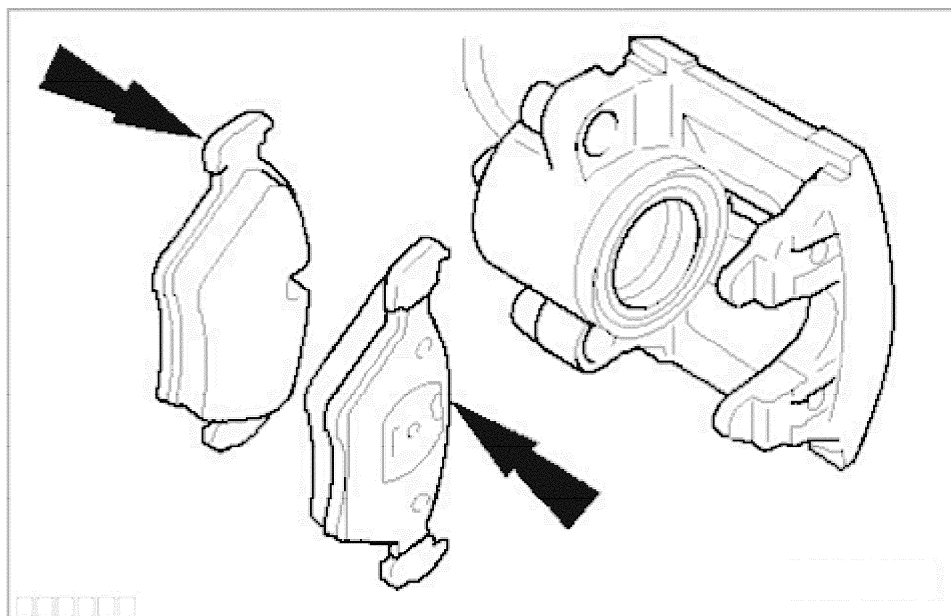
- Position a cloth around the reservoir to collect any fluid spillage.



5.  **CAUTION:**  
Tie caliper housing aside. Do not allow the caliper housing to hang on the hydraulic hose, as this will damage the hose.

Remove caliper housing from caliper carrier.

1. Remove anti-rattle spring.
  2. Remove dust covers.
  3. Remove guide pins.
- Remove and tie caliper housing aside.



6. **NOTE:**  
The inner brake pad is fitted with a clip which secures the pad into the caliper piston.

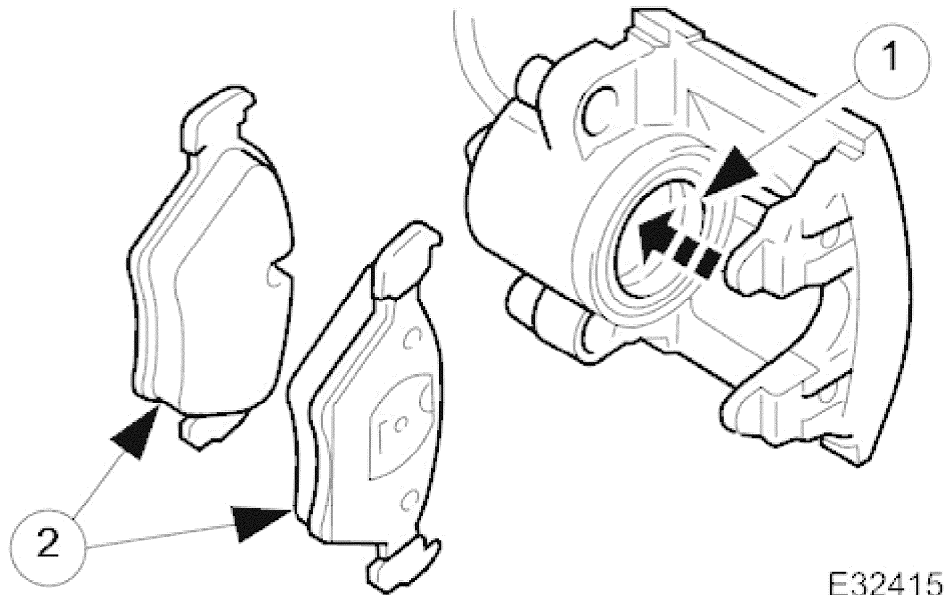
Remove brake pads from caliper housing.


- Discard brake pads.

7. Clean all mating surfaces and remove brake dust, see WARNING above.

8. Repeat above procedure to remove opposite side brake pads.

## Installation



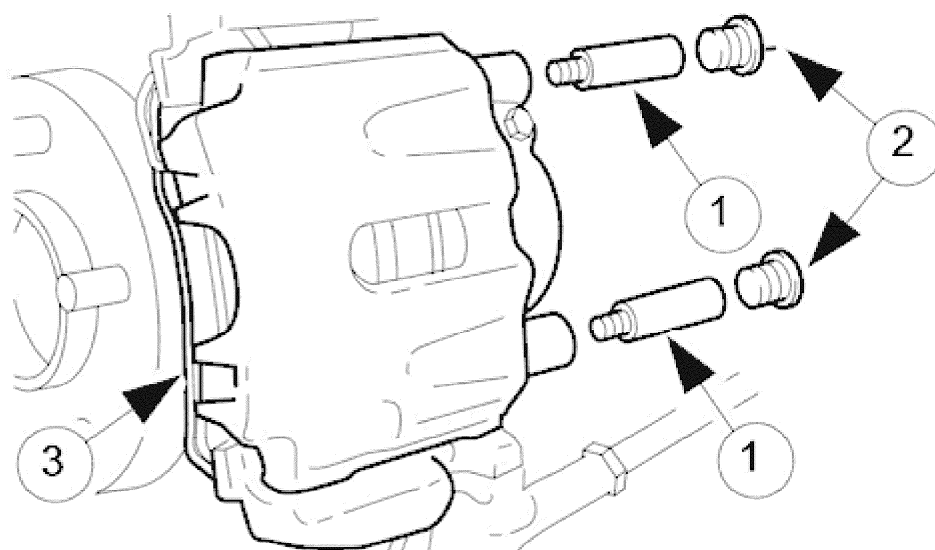
1.  **CAUTION:**  
Retracting the caliper piston may cause the fluid reservoir to over-flow. Remove brake fluid spillage immediately from paint work, with clean water.

### NOTE:

Clean caliper piston to pad mating surface.

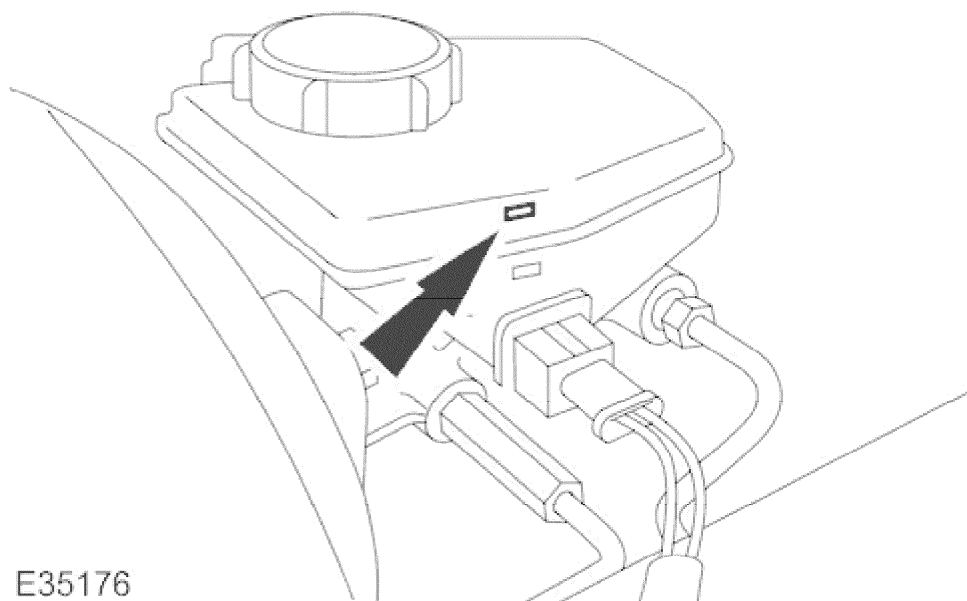
Install brake pads into caliper housing.

1. Slowly retract piston into caliper housing.
2. Remove paper backing from pads to reveal adhesive shim. Install brake pads, insert clip located on back of inner pad into caliper piston.



E33775

2. Install caliper housing to caliper carrier.
  - Align housing to carrier.
  - 1. Install and tighten guide pins to 25-30 Nm.
  - 2. Install dust covers.
  - 3. Install anti-rattle spring.
3. Repeat above procedure to install opposite side brake pads.
4. Fit wheels. Refer to section <<204-04>>.
5. Remove stands and lower vehicle. Refer to section <<100-02>>.



E35176

6.  **CAUTION:**  
Remove brake fluid spillage immediately from paint work, with clean water.

Check brake fluid level.

## 1999 XK RANGE - Front Disc Brake - 206-03

- Check brake fluid level is at the maximum mark.
- Remove cloth.
- Fit cap.

7. Remove paint work protection covers, and close engine compartment.

8. Start the engine and repeatedly press the brake pedal until brake pressure is evident.