

Front End Body Panels - Radiator Splash Shield

Removal and Installation

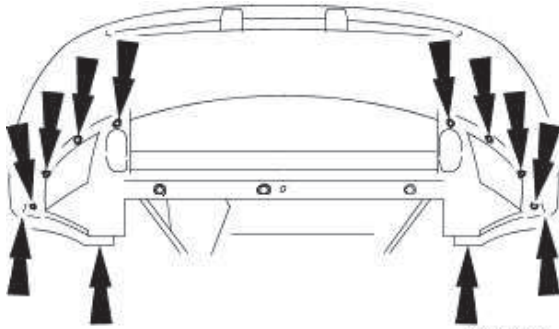
Removal

All vehicles

1. Raise and support the vehicle.
For additional information, refer to: [Using the Workshop Jack](#) (100-02 Jacking and Lifting, General Procedures).

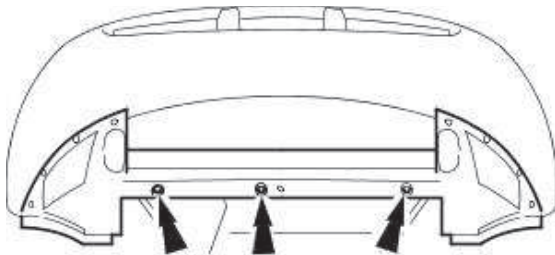
Vehicles built up to 01/2004

2. Remove the radiator splash shield retaining screws.



E34483

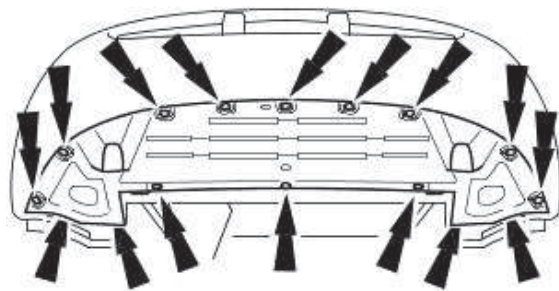
3. Remove the radiator splash shield.



E33498

Vehicles built 02/2004 onwards

4. Remove the radiator splash shield.



E48869

Installation

1. To install, reverse the removal procedure.