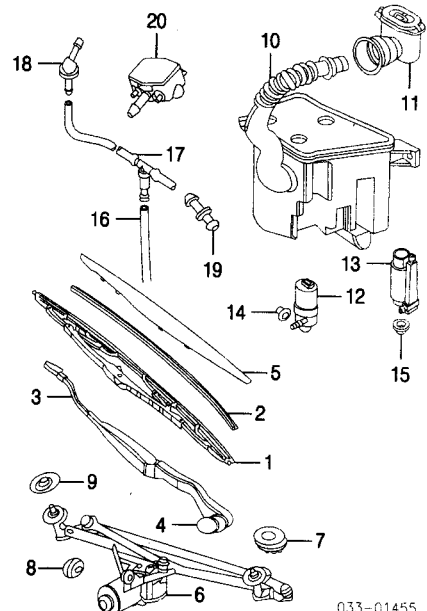


	L	HJE2123BCLFJ	.2	d86.00
	04-05 R	C2N002927LFJ	.2	90.90
	L	C2N002930LFJ	.2	90.90
Oatmeal	97-00 R	HJA2122ABAGD	.2	d88.35
	L	HJA2123ABAGD	.2	88.35
	01-03 R	HJE2122BCAGD	.2	86.00
	L	HJE2123BCAGD	.2	d86.00
	04-05 R	C2N002927AGD	.2	90.90
	L	C2N002930AGD	.2	90.90
5 Mirror, Rear View				
1997-02				
w/Electrochromatic		HNC3133AB	.2	238.50
w/o Electrochromatic				
w/Auto Dimmer				
w/Rain Sensor	00-02	HJD3134AC	.2	277.00
w/o Rain Sensor	97	HJA3121AA	.2	238.45
	98-99	HJF3133AE	.2	223.00
	97-99	HJA3120AA	.2	229.70
w/o Auto Dimmer	00-02	HJD3135AB	.2	287.00
2003-05				
w/Compass		C2P001823	.2	352.00
w/o Compass		HJF3133AE	.2	223.00
6 Cover, Mirror Support				
1997-99		HXF3131AB		3.65
2000-05		HJE3131AA		3.10
Sensor, Rain		C2S012594		115.40
7 Cover, Rain Sensor				
00-02		HJD3136AB		3.10
03-05		N.A.		0.00
8 Visor, Sun				
Gray				
97-99 R		HJA1072ADLFJ	.2	262.00
L		HJA1073ADLFJ	.2	262.00
00-05 R		HJA1090ACLFJ	.2	256.00
L		HJA1091ACLFJ	.2	256.00
Oatmeal				
97-99 R		HJA1072ADAGD	.2	262.00
L		HJA1073ADAGD	.2	236.90
00-05 R		HJA1090ACAGD	.2	256.00
L		HJA1091ACAGD	.2	256.00
9 Support, Sun Visor				
Gray	R/L	HJA1084CBLFJ		15.90
Oatmeal	R/L	HJA1084CBAGD		15.90
10 Bulb, Map Lamp	R/L	LJA5180BA		3.95

WIPER SYSTEM

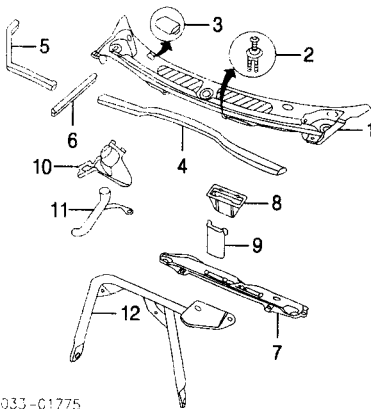


1 Blade, Wiper	R	GJA8960BB	.1	d26.15
	L	GJA8962CB	.1	25.75
		GNB8961AA		16.10
2 Insert, Wiper]				
{Set of 2				
3 Arm, Wiper	R	GJA8955FB	#.3	53.85
	L	GJA8955EC	#.3	53.85
#R&R Both .5, Includes R&R Wiper Blade				
4 Cap, Wiper Arm	R/L	GJA8966AB		d2.45
5 Deflector, Wind	03-05 L	GJA8975BA		84.50
6 Motor/Linkage, Wiper		GJA8951AF	1.0	466.00
7 Bushing, Uptr Motor Mtg		GJA8964BA		1.30
8 Bushing, Lwr Motor Mtg		GJA8964AA		1.30
9 Seal, Spindle	R/L	GJA8968AA		5.25
10 Reservoir, Washer		JLM020696	.9	45.05
w/ H/Lamp Washers	97-99	LJA7030CE	.9	105.10
w/o H/Lamp Washers	00-05	JLM020695	.9	43.85
		LJA7033BC		10.45
11 Neck, Filler	97-02	LJA7031AA	.7	105.10
12 Pump, Windshield Washer	03-05	LJA7031AB	.7	106.10
	97-02	LNA7031BA	.7	103.00
13 Pump, Headlamp Washer	03-05	LNC7031AA	.7	93.50
	97-02	LJA7037CA		1.95
	03-05	LNC7037AA		2.95
15 Grommet, H/Lamp Washer	97-02	LNA7037AA		2.35
	03-05	LJA7037CA		1.95
16 Tube, Front Washer	97-02	LJA7100AC		12.20
	03-05	LJA7100AF		7.80

17 Tube, Washer	To VIN A38010	GJA8970AC		d12.20
	From VIN A38011	GJA8970AE		26.55
18 Connector, Tube		GJA8969AB		5.65
19 Valve, Non-Return		GJA8976AA		4.05
20 Nozzle, Washer	R/L	GJA8959AB	#.3	46.20
#Included in R&R Wiper Arm				

COWL & DASH

Use Procedure Explanations 14 and 28 with the following text.

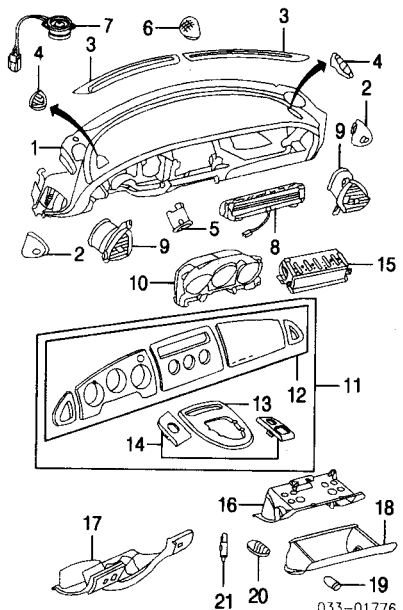


1 Panel, Cowl Plenum	97-03	HJA3833AL	#.8	148.60
	04-05	C2N002777	#.8	172.55
#Includes R&R/R&R Wiper Arms				
2 Rivet, Mtg (2)	R/L	KRS116140		.35
3 Cap, Finish (2/Side)	97-03 R/L	HJA3835AA		5.95
	04-05 R/L	C2N002753		3.85
4 Seal, Rear Hood				
To VIN A41510		HJF5240AA	.1	28.75
From VIN A41511		HJF5240AB	.1	25.95
5 Seal, Cowl				
1997				
To VIN 010097	R	HJA5245AA	.1	20.80
	L	HJA5247BC	.1	35.40
From VIN 010098	R/L	HJA5245AA	.1	20.80
1998-05	R/L	HJA5245AA	.1	20.80
	R/L	HJA5244AD	.1	11.95
6 Seal, Side Cowl				
7 Plate, Plenum Closing				
Coupe	97-02	GJD8874AB		60.55
	03-05	C2N001606		54.85
Conv				
1997-99		GJD8874BA		55.90
2000				
To VIN A09580		GJD8874BA		55.90
From VIN A09581		GJD8874BB		60.55
2001-02		GJD8874BB		60.55
2003-05		C2N001607		54.85
8 Duct, Plenum		HJA3815AB		7.75
9 Shield, Dust		HJA3825AC		20.80
10 Deflector, Water				
XK8	R	HJA4492AB		d41.15
	L	HJB4493AA		33.35
XKR	R	HJA4492AB		d41.15
	L	HJA4493BC		36.60
11 Tube, Plenum Drain	R	HJA3822AA		21.40
	L	HJA3823AA		21.40
12 Brace, Dash		HJA4200DF		32.20
Nozzle, Washer-See Windshield Section				

INSTRUMENT PANEL

Use Procedure Explanation 14 with the following text.

R&I Instrument Panel			m	4.5
NOTE: All Parts in this section are included in R&R Instrument Panel unless noted otherwise.				
<i>Illustration Located in Next Column</i>				
1 Panel, Instrument]	97-99	GJA6401ANLEG	m	7.5 2075.00
	00-05	GJE6401ADLEG	m	7.5 955.00
2 Cover, Side]	R	GJA6658AALLEG	.1	30.85
	L	GJA6659AALLEG	.1	30.85
3 Vent, Upper]	R	GJA660ADLEG	.1	37.00
	L	GJA6601ADLEG	.1	38.20
4 Vent, Side]	R	GJA6604AALLEG	.2	22.95
	L	GJA6605AALLEG	.2	22.95
5 Bezel, Fog Lamp Switch]	97-02	GJA6436AALLEG		2.80
	03-05	GJE6436AALLEG		3.20
6 Grille, Speaker]	R	GJA6608ACLEG	.2	12.05
	L	GJA6609ACLEG	.2	12.05
{Charcoal listed, Order by Application				
7 Speaker, Radio	97-99 R/L	LJA4141AA	#.3	d55.45
Sta Sound System	00-05 R/L	LJD4145BA	#.3	35.05
Harman/Kardon System	97-99 R/L	LJA4140AA	#.3	105.60
	00-05 R/L	LJD4140CA	#.3	81.15
#Includes R&R/R&R Speaker Grille				



8 Vent, Center Front (b)	97	GNA6770AALEG	.4	99.40
	98-05	GJB6770AA	.4	87.55
	R	GJA6720AE		31.55
	L	GJA6721AE		31.55
		LNC4300DD302	m	1.2 825.00
9 Vent, Outer Front (b)				
10 Cluster, Instrument (b)				
11 Trim Kit Assy, Interior (b)				
1997-99				
Maple		GJA7071BB	1.0	2600.00
Walnut		GJA7071AH	1.0	0.00
2000				
w/Navigation System				
Brass Trim		GXD7017FC	1.0	0.00
Stainless Steel Trim		GXE7017AA	1.0	0.00
w/o Navigation System				
Brass Trim		GXD7017DC	1.0	0.00
Stainless Steel Trim		GJB7017BA	1.0	0.00
2001-05				
w/Navigation System				
Brass Trim		GJD7017AB	1.0	0.00
Stainless Steel Trim		GJD7017BB	1.0	0.00
w/o Navigation System				
Brass Trim		GJB7017AB	1.0	0.00
Stainless Steel Trim		GJB7017BB	1.0	0.00
12 Trim Kit, Inst Panel (b) (c)				
1997-99				
Maple		GJA6927BB	.8	1950.00
Walnut		GJA6927AH	.8	1950.00
2000				
w/Navigation System				
Brass Trim		GJD6927AB	.8	1625.00
Stainless Steel Trim		GJD6927BA	.8	d1470.00
w/o Navigation System				
Brass Trim		GJB6927AB	.8	1700.00
Stainless Steel Trim		GJB6927BB	.8	1575.00
2001-05				
w/Navigation System				
Brass Trim		GJE6927DE	.8	1230.00
Stainless Steel Trim		GXD6927FC	.8	1230.00
w/o Navigation System				
Brass Trim		GJE6927BE	.8	1230.00
Stainless Steel Trim		GXD6927DC	.8	1575.00
13 Trim, Console (b) (c)				
14 Plate Kit, Trim (b) (c)				
(b) Order by Application				
(c) Included w/Interior Trim Kit Assy				
15 Module, Pass Air Bag-See Air Bag System Section				
16 Panel, Glove Box Liner		GJA6112AJ	#.7	154.00
#Includes R&R/R&R Glove Box Door				
17 Pad, Knee Bolster (d)		GJB6009AALEG	.5	284.00
18 Door, Glove Box (d)		GJA6022AFLEG	#.4	311.00
(d) Charcoal listed, Order by Application				
#Includes R&R/R&R Glove Box Lock				
19 Cylinder, Glove Box Lock (a)		HJA7212BB	.3	74.20
(a) Included w/Complete Lock Set-listed in Steering Wheel/Column Section				
20 Lens, Glove Box Lamp		LJA5385AB		1.80
21 Bulb, Lamp		DBC011380		d1.35

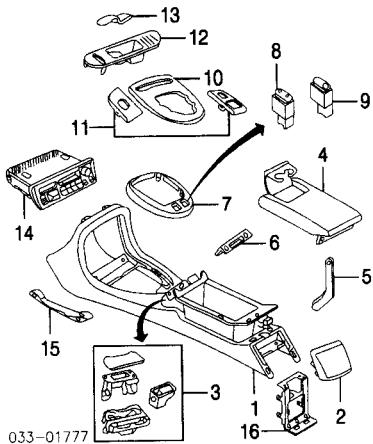
CENTER CONSOLE

Use Procedure Explanation 14 with the following text.

R&I Center Console Assy				1.5
NOTE: All Parts in this section are included in R&R Center Console unless noted otherwise.				

JAGUAR XK8/XKR 1997-05

CENTER CONSOLE Cont'd



1 Console, Center			
1997	GJD7610AALEG	3.5	935.00
1998-02			
Classic Level Trim	GJD7610BALEG	3.5	d950.00
Sport Level Trim	GJD7610AALEG	3.5	935.00
2003-05			
Sport Level Trim	GJD7610CALEG	3.5	290.00
2 Panel, Rear Finish	GJA7650CALEG		84.50
3 Ashtray, Center	GJA7640CBLEG		179.25
4 Lid, Console			
w/Cup Holder			
1997-02			
Classic Level Trim	97 GNA7670BGLEG	.5	240.00
1998-99	GNA7670BJLEG	.5	299.00
2000-02	GJD7670BALEG	.5	d244.15
Sport Level Trim	GJD7670AALEG	.5	288.00
2003-05	GJD7670BALEG	.5	d244.15
w/o Cup Holder			
1997-02			
Classic Level Trim			
Ambia Trim	GNA7681AALEG	.5	165.00
Leather	GJB7681AALEG	.5	174.50
Sport Level Trim	97-98 GJA7681AALEG	.5	158.50
1999-02	GJB7681BALEG	.5	145.00
2003-05	GJB7681AALEG	.5	174.50
*Charcoal listed, Order by Application			
5 Link, Stop			
1997-98	GJA7663AA	15.45	
1999	GJB7663AA	13.75	
2000-02			
w/Telephone	GJD7663CA	14.30	
w/o Telephone	GJB7663AA	13.75	
2003-05	GJD7663CA	14.30	
6 Latch, Lid	GJA7661AA	12.55	
7 Bezel, Switch			
w/Cruise Control			
XK8	LJA6221DE	.4	97.90
XKR	LJD6221BA	.4	96.05
w/o Cruise Control			
XK8	LJA6221CF	.4	55.90
XKR	LJB6221AA	.4	71.35
8 Switch, Cruise Control-See Cruise Control System Section			
9 Switch, Hood Release	LJA6229BA		51.05
10 Trim, Console-See Instrument Panel Section			
11 Plate Kit, Trim-See Instrument Panel Section			
12 Tray, Coin			
Coupe	GJA7842ABLEG		54.35
Conv	GJA7842BDLEG		50.00
13 Liner, Coin Tray	GJA7843ABLEG		3.40
14 Radio, AM-FM Cassette			
97	LJA4100BA	#1.8	391.00
98-99	LJB4100BA	#1.8	910.00
00-05	LJD4100AB	#1.8	985.00
*Includes R&I Center Console Assy, Not Included in R&R Center Console			
15 Brkt, Console			
R	GJA7846AD		24.00
L	GJA7847AD		24.00
	C2N001755		2.70
16 Brkt, Rear			

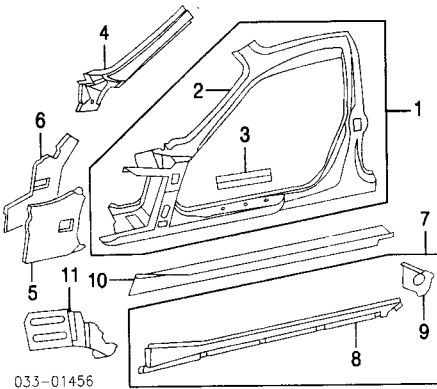
ROCKER/PILLARS/FLOOR

Use Procedure Explanations 14, 15 and 28 with the following text.

SHEET METAL COUPE

Refinish Side Body Panel Assy	R/L	4.0
Refinish Hinge Pillar	R/L	1.0
Refinish Rocker Panel	R/L	1.6
R&R Hinge Pillar	R/L	8.5
R&R Rocker Panel	R/L	#7.0

#Deduct 1.5 w/Quarter Panel Removed



1 Frame Assy, Door Opening			
97-03 R	FJE3304AA	s #18.4	499.00
L	FJE3305AA	s #18.4	499.00
04-05 R	C2N002837	s #18.4	414.00
L	C2N002839	s #18.4	414.00
2 Frame, Door Opening			
97-03 R	FJA1304AJ	s #19.5	201.90
L	FJA1305AJ	s #19.5	201.90
04-05 R	C2N002855	s #19.5	335.00
L	C2N002857	s #19.5	335.00

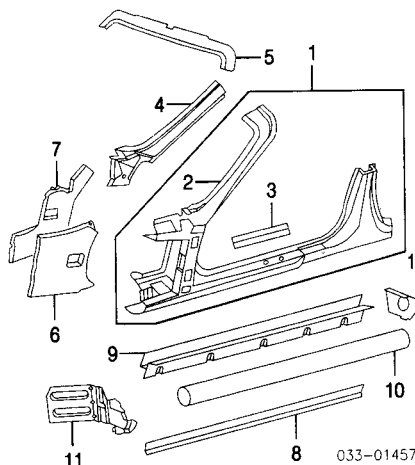
#w/Necessary Bolted Parts, Windshield & Necessary Trim

3 Reinf, Rocker Panel	R/L	CAP000225	s	154.50
*Included w/Door Opening Frame Assy				
4 Reinf, W/S Pillar	R	FJA1162AC	2.0	146.30
L	FJA1163AC	2.0	146.30	
5 Panel, Outer Pillar				
97-03 R	FJA1974AD		182.85	
L	FJG1975AA		161.20	
04-05 R	FJG1974AA		161.20	
L	FJG1975AA		161.20	
6 Panel, Inner Pillar	R	FJG1916AB	193.65	
L	FJG1917AB		193.65	
7 Reinforcement Assy, Outer Rocker				
1997-99-Serviced by Components				
2000-05	R	FJD3338AA	s	120.00
L	FJD3339AA	s	120.00	
8 Reinf, Outer Rocker				
1997-99 (a)	R	JLM020068	s	309.00
L	FJD3339AA	s	120.00	
2000-05-Serviced w/Outer Rocker Reinf Assy				
9 Panel, Rear Closing (a)	R	C2N003418		40.65
L	FJA2233AC			46.25
(a) Included w/Outer Rocker Reinforcement Assy				
10 Panel, Inner Rocker	R/L	JLM020066-7	s	205.50
11 Panel, Front Closing	R	FJA1342AE		77.25
L	FJA1343AE			77.25

SHEET METAL CONV

Refinish Side Body Panel Assy	R/L	3.5
Refinish Hinge Pillar	R/L	1.0
Refinish Rocker Panel	R/L	1.6
Refinish Header Panel	R/L	1.2
R&R Hinge Pillar	R/L	8.5
R&R Rocker Panel	R/L	#7.0

#Deduct 1.5 w/Quarter Panel Removed



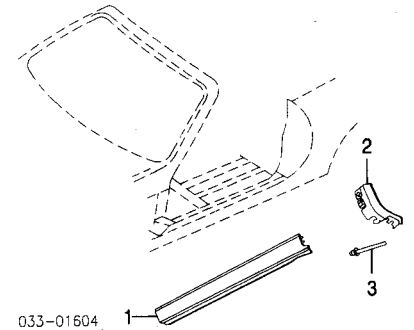
1 Frame Assy, Door Opening			
97-03 R	FJE3304BA	s #16.0	377.00
L	FJE3305BA	s #16.0	377.00
04-05 R	C2N002838	s #16.0	345.00
L	C2N002840	s #16.0	345.00
2 Frame, Door Opening			
97-03 R	FJA1304BJ	s #18.5	184.90
L	FJA1305BJ	s #18.5	184.90
04-05 R	C2N002856	s #18.5	276.00
L	C2N002858	s #18.5	276.00

#w/Windshield, Necessary Trim & Bolted Parts & Assemblies

3 Reinf, Rocker Panel	R/L	CAP000225	s	154.50
*Included w/Door Opening Frame Assy				
4 Reinf, W/S Pillar	R	FJA1162AC	2.0	146.30
L	FJA1163AC	2.0	146.30	
5 Panel, Header		FJA3104BD	#5.4	381.00
#w/Windshield, Necessary Trim, Bolted Parts & Assemblies				
Removed				
6 Panel, Outer Pillar	R	FJA1974AD		182.85
L	FJG1975AA			161.20
7 Panel, Inner Pillar	R	FJG1916AB		193.65
L	FJG1917AB			193.65
8 Reinf, Upper Rocker	97-02 R/L	FJA1618BA	s	12.10
03-05 R/L	FJA1618BB	s	11.40	
9 Reinf, Lwr Rocker	R/L	FJA3619BA	s	225.05
10 Tube, Reinforcement	R/L	BJC001024	s	154.50
11 Panel, Front Closing	R	FJA1342BE		77.25
L	FJA1343BE			77.25
12 Panel, Rear Closing	R	C2N003418		40.65
L	FJA2233AC			46.25

EXTERIOR TRIM COUPE

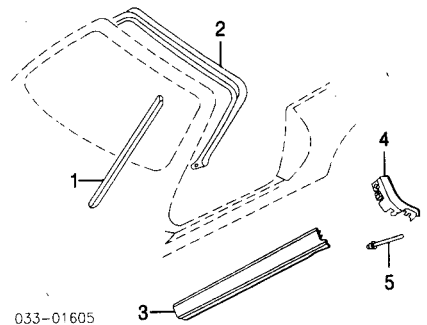
Refinish Rocker Panel Moulding	R/L	1.2
Refinish End Cap	R/L	.3



1 Moulding, Rocker Panel (P)	R	C2N003522XXX	1.1	114.25
L	C2N003523XXX	1.1	114.25	
2 Cap, End (P)	R	C2N003409XXX		18.35
L	C2N003410XXX			18.35
(P) Paint to Match				
3 Rivet, Moulding (9/Side)	R/L	C2C003564		1.85

EXTERIOR TRIM CONV

Refinish Rocker Panel Moulding	R/L	1.2
Refinish End Cap	R/L	.3



1 Moulding, Pillar	R	HJE7708AA	.2	131.10
L	HJE7709AA	.2	131.10	
2 W/Strip, Header		HJC7715AD	.5	205.00
3 Moulding, Rocker Panel (P)	R	C2N003522XXX	1.1	114.25
L	C2N003523XXX	1.1	114.25	
4 Cap, Moulding (P)	R	C2N003409XXX		18.35
L	C2N003410XXX			18.35
(P) Paint to Match				
5 Rivet, Moulding (9/Side)	R/L	C2C003564		1.85

INTERIOR TRIM COUPE

Illustration Located in Next Column

1 Midg, Inside Garnish-See Windshield Section				
2 Panel, Cowl Trim				
R	HJA1380ADLEG	.3	109.70	
L	HJA1381ADLEG	.3	109.70	
*Charcoal listed, Order by Application				
3 Weatherstrip, Door Opening	R	HJA5364AJ	.6	289.00
L	HJA5365AJ	.6	289.00	
4 Seal, Lower	R/L	HJA1650AD	.4	83.70

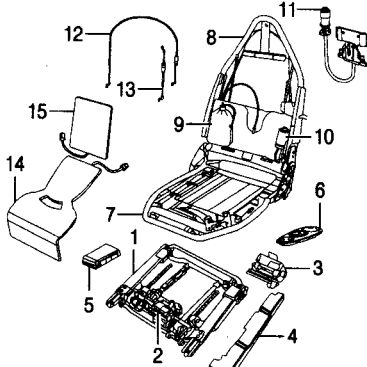
Stainless Steel R/L HXG6034AA #3 56.90
#R&R One Side Complete

FRONT SEAT

Use Procedure Explanation 30 with the following text.

W/RECARO SEATS

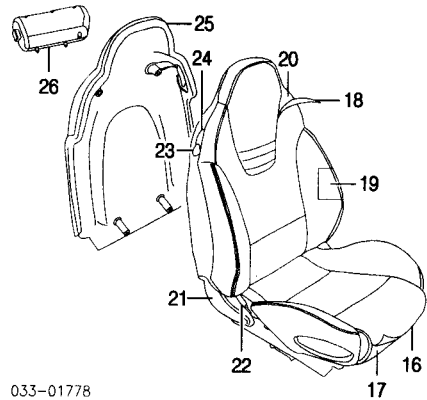
R&L Seat Assy (Each Side).....R/L .3



033-01781

1 Track, Adjuster Seat] w/Memory 1997-00 Passenger Side GJD4800DA #3 1100.00 Driver Side GJD4801DA #3 1070.00 2001-05 Passenger Side GJE4800DA #3 1100.00 Driver Side GJE4800DA #3 1100.00 w/o Memory 1997-00 Passenger Side GJD4800CA #3 1470.00 Driver Side GJD4800CA #3 1470.00 2001-05 Passenger Side GJE4800CA #3 1100.00 Driver Side GJE4802CA #3 1100.00 GJA4713BA #3 590.00 GJA4711CA #3 515.00 <i>Order by Application</i>	2 Motor, Height Adjust]	3 Motor, Fore/Aft Adjust] <i>Order by Application</i>	4 Cover, Track] 1997-00 Passenger Side GJA4750ABLEG 30.55 Driver Side GJA4751ABLEG 16.85 2001-05 Passenger Side GJE4750ACLEG 11.90 Driver Side GJE4751ACLEG 11.90 <i>Charcoal listed, Order by Application</i>	5 Module, Seat Control] 1997 To VIN 003299 Passenger Side LJA2160AE00D #2 0.00 Driver Side LJA2160AE00D #2 0.00 From VIN 003300 Passenger Side LJA2160AG4 #2 375.00 Driver Side LJA2160AG4 #2 375.00 1998-00 Passenger Side LJA2160AG4 #2 375.00 Driver Side LJA2160AG4 #2 375.00 2001-05 Passenger Side LJE2160AB1 #2 396.00 Driver Side LJE2160AB1 #2 396.00 <i>Order by Application</i>	6 Switch, Seat] 1997-00 4-Way Adjust Passenger Side LJB6030AALEG #2 146.00 Driver Side LJB6030AALEG #2 146.00 6-Way Adjust Passenger Side LJB6035AALEG #2 155.55 Driver Side LJB6035AALEG #2 155.55 2001-05 8-Way Adjust Passenger Side LJE6030ABLEG #2 124.40 Driver Side LJE6031ABLEG #2 124.40 12-Way Adjust Passenger Side LJE6034ABLEG #2 124.40 Driver Side LJE6035ABLEG #2 124.40 <i>Charcoal listed, Order by Application</i> #w/Seat Assy Removed	7 Frame, Seat Bottom] Passenger Side GJE4220BA #8 675.00 Driver Side GJE4220BA #8 675.00 #w/Seat Assy Removed, Includes R&R Seat Cushion Cover & Pad	8 Frame, Backrest 1997-02 Passenger Side GXG4230AA #9 750.00 Driver Side GXG4231AA #9 750.00 2003-05 Passenger Side GJE4230CA #9 525.00 Driver Side GJE4231CA #9 625.00 #w/Seat Assy Removed, Includes R&R Seat Back Cover & Pad	9 Adjuster, Lumbar
---	--------------------------------	---	--	---	--	---	---	---------------------------

Passenger Side GJE4776AA 279.00 Driver Side GJE4776AA 279.00	10 Motor, Backrest Passenger Side 97-00 R/L GJA4713AA 515.00 01-05 R/L GJE4713AA 468.00 Driver Side 97-00 R/L GJA4713AA 515.00 01-05 R/L GJE4713AA 468.00 GJE4770CA 212.70	11 Motor, Headrest Adjust Cable, Actuator 12 Long Passenger Side BEC009309 79.60 Driver Side BEC009309 79.60 13 Short Passenger Side GJE4764AA 19.15 Driver Side GJE4764AA 19.15 14 Heater, Seat Cushion Passenger Side LXG2700AA 84.75 Driver Side LXG2700AA 84.75 15 Heater, Seat Back Passenger Side LXG2706AA 84.75 Driver Side LXG2706AA 84.75
---	--	--



033-01778

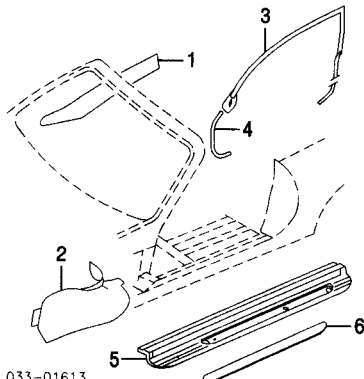
16 Cover, Seat Cushion] Passenger Side GXG4418BBLEG #8 745.00 Driver Side GXG4419BBLEG #8 745.00 <i>Charcoal listed, Order by Application</i>	17 Pad, Seat Cushion Passenger Side GXG4560AA #8 216.85 Driver Side GXG4403AB #8 196.25 #w/Seat Assy Removed, R&R One Side Complete	18 Cover, Seat Back] Passenger Side C2N2704LEG #9 0.00 Driver Side C2N2705LEG #9 0.00 <i>Charcoal listed, Order by Application</i>	19 Pad, Seat Back Outer Passenger Side R GXG4302AB #9 204.00 w/Slide Air Bag L GXG4303AB #9 204.00 Driver Side R/L GXG4302BA #9 148.10 w/o Slide Air Bag Passenger Side R GXG4302AB #9 204.00 w/Slide Air Bag L GXG4303AB #9 204.00 Driver Side R/L GXG4302BA #9 148.10	20 Inner Passenger Side GXG4300AA #9 211.15 Driver Side GXG4300AA #9 211.15 #w/Seat Assy Removed, R&R One Side Complete	21 Cover, Outer Trim] Passenger Side R GJE4731AALEG 41.10 L GJE4733AALEG 72.65 Driver Side R GJE4733AALEG 72.65 L GJE4731AALEG 41.10	22 Cover, Inner Trim] Passenger Side R GJE4740AALEG 72.65 L GJE4741AALEG 72.65 Driver Side R GJE4740AALEG 72.65 L GJE4741AALEG 72.65	23 Knob, Release] Passenger Side GJB4760AALEG 15.55 Driver Side GJB4760AALEG 15.55	24 Bezel, Knob] Passenger Side GJE4762AALEG 10.25 Driver Side GJE4762AALEG 10.25	25 Panel, Seat Back Trim] Passenger Side GXG4600AALEG 505.00 Driver Side GXG4601AALEG 505.00	26 Pad, Headrest] Passenger Side LJE2165AB 337.00 Driver Side LJE2165AB 337.00 <i>Charcoal listed, Order by Application</i>
---	--	--	--	--	---	---	---	---	---	---

W/O RECARO SEATS LOW BACK

R&L Seat Assy (Each Side).....R/L .3

Illustration Located in Next Column

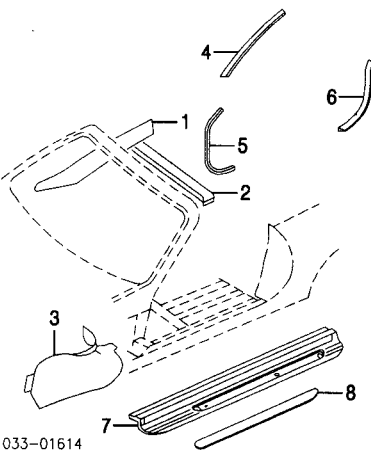
1 Track, Adjuster Seat] w/Memory
--



033-01613

5 Plate, Sill Scuff XK8 R HJA6060AB #3 56.15 L HJA6061AB #3 56.15 XKR R HXD6060BA #3 95.80 L HXD6061BA #3 95.80	6 Nameplate, Jaguar 1997 R/L HJA6034AD #3 23.75 1998 To VIN 024686 R/L HJA6034AD #3 23.75 From VIN 024687 R/L HJB6034AA #3 25.15 1999 R/L HJB6034AA #3 25.15 2000-02 XK8 R/L HJB6034AA #3 25.15 XKR R/L HJB6034BA #3 23.05 2003-05 XK8 R/L HJB6034AA #3 25.15 XKR R/L HJB6034BA #3 23.05 w/Perf Pkg R/L C2N001848 #3 38.65 w/o Perf Pkg R/L HXD6034BB #3 45.25 Aluminum R/L HXG6034AA #3 56.90 Stainless Steel #R&R One Side Complete
--	--

INTERIOR TRIM CONV

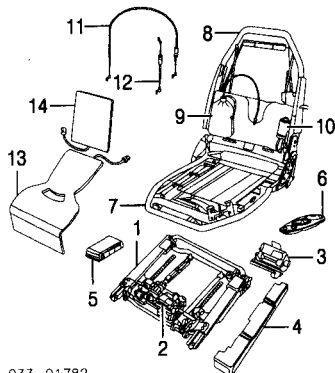


033-01614

1 Mldg, Inside Garnish-See Windshield Section	2 Mldg, Upper Garnish] HJE2155AALFJ .3 87.30 <i>Gray listed, Order by Application</i>	3 Panel, Cowl Trim] R HJA1380ADLEG #3 109.70 L HJA1381ADLEG #3 109.70 <i>Charcoal listed, Order by Application</i>	4 Weatherstrip, Upper R HJE7708AA #3 131.10 L HJE7708AA #3 131.10	5 Weatherstrip, Front R/L HJA1650AD #3 83.70	6 Weatherstrip, Rear R/L C2N002876-7 #3 90.40	7 Plate, Sill Scuff XK8 R HJA6060AB #3 56.15 L HJA6061AB #3 56.15 XKR R HXD6060BA #3 95.80 L HXD6061BA #3 95.80	8 Nameplate, Jaguar 1997 R/L HJA6034AD #3 23.75 1998 To VIN 024686 R/L HJA6034AD #3 23.75 From VIN 024687 R/L HJB6034AA #3 25.15 1999 R/L HJB6034AA #3 25.15 2000-02 XK8 R/L HJB6034AA #3 25.15 XKR R/L HJB6034BA #3 23.05 2003-05 XK8 R/L HJB6034AA #3 25.15 XKR R/L HJB6034BA #3 23.05 w/Perf Pkg R/L C2N001848 #3 38.65 w/o Perf Pkg R/L HXD6034BB #3 45.25 Aluminum
--	--	--	--	--	---	--	---

FRONT SEAT Cont'd

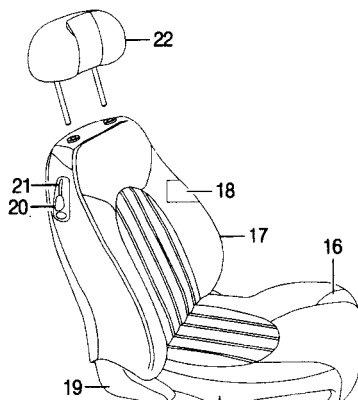
W/O RECARO SEATS LOW BACK Cont'd



033-01782

1997-00	Passenger Side	GJD4800DA	#.3	1100.00
	Driver Side	GJD4801DA	#.3	1070.00
2001-05	Passenger Side	GJE4800DA	#.3	1100.00
	Driver Side	GJE4800DA	#.3	1100.00
w/o Memory				
1997-00	Passenger Side	GJD4800CA	#.3	1470.00
	Driver Side	GJD4800CA	#.3	1470.00
2001-05	Passenger Side	GJE4800CA	#.3	1100.00
	Driver Side	GJE4802CA	#.3	1100.00
	Driver Side	GJA4713BA	#.3	590.00
	Driver Side	GJA4711CA	#.3	515.00
2 Motor, Height Adjust†				
3 Motor, Fore/Aft Adjust†				
†Order by Application				
#w/Seat Assy Removed, R&R One Side Complete				
4 Cover, Track†				
1997-00	Passenger Side	GJA4750ABLEG		30.55
	Driver Side	GJA4751ABLEG		16.85
2001-05	Passenger Side	GJE4750ACLEG		11.90
	Driver Side	GJE4751ACLEG		11.90
†Charcoal listed, Order by Application				
5 Module, Seat Control†				
1997				
To VIN 003299				
	Passenger Side	LJA2160AE00D	#.2	0.00
	Driver Side	LJA2160AE00D	#.2	0.00
From VIN 003300				
	Passenger Side	LJA2160AG4	#.2	375.00
	Driver Side	LJA2160AG4	#.2	375.00
1998-00				
	Passenger Side	LJA2160AG4	#.2	375.00
	Driver Side	LJA2160AG4	#.2	375.00
2001-05				
	Passenger Side	LJE2160AB1	#.2	396.00
	Driver Side	LJE2160AB1	#.2	396.00
†Order by Application				
6 Switch, Seat†				
1997-00				
	4-Way Adjust			
	Passenger Side	LJB6030AALEG	#.2	146.00
	Driver Side	LJB6030AALEG	#.2	146.00
	6-Way Adjust			
	Passenger Side	LJB6035AALEG	#.2	155.55
	Driver Side	LJB6035AALEG	#.2	155.55
2001-05				
	8-Way Adjust			
	Passenger Side	LJE6030ABLEG	#.2	124.40
	Driver Side	LJE6031ABLEG	#.2	124.40
	12-Way Adjust			
	Passenger Side	LJE6034ABLEG	#.2	124.40
	Driver Side	LJE6035ABLEG	#.2	124.40
†Charcoal listed, Order by Application				
#w/Seat Assy Removed				
7 Frame, Seat Bottom				
	Passenger Side	GJE4220BA	#.8	675.00
	Driver Side	GJE4220BA	#.8	675.00
#w/Seat Assy Removed, Includes R&R Seat Cushion Cover & Pad				
8 Frame, Backrest				
	Passenger Side	GJE4230CA	#.9	525.00
	Driver Side	GJE4231CA	#.9	625.00
#w/Seat Assy Removed, Includes R&R/R Seat Back Cover & Pad				
9 Adjuster, Lumbar				
	Passenger Side	GJE4776AA		279.00
	Driver Side	GJE4776AA		279.00
10 Motor, Backrest				
	Passenger Side	97-00 R/L GJA4713AA		515.00
	Driver Side	01-05 R/L GJE4713AA		468.00
	Driver Side	97-00 R/L GJA4713AA		515.00
	Driver Side	01-05 R/L GJE4713AA		468.00
Cable, Actuator				
11	Long	BEC009309		79.60

12	Driver Side	BEC009309		79.60
	Short			
	Passenger Side	GJE4764AA		19.15
	Driver Side	GJE4764AA		19.15
13 Heater, Seat Cushion				
	Passenger Side	LXG2700AA		84.75
	Driver Side	LXG2700AA		84.75
14 Heater, Seat Back				
	Passenger Side	LXG2706AA		84.75
	Driver Side	LXG2706AA		84.75

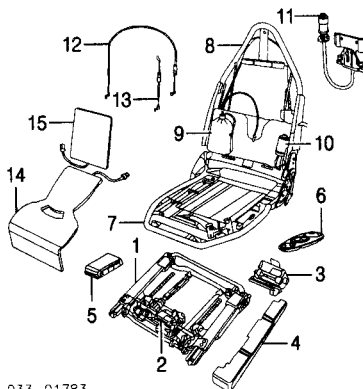


033-01779

15 Cover, Seat Cushion†				
	Passenger Side	C2N2384LEG	#.8	0.00
	Driver Side	C2N2385LEG	#.8	0.00
†Charcoal listed, Order by Application				
16 Pad, Seat Cushion				
	Passenger Side	GXG4560AA	#.8	216.85
	Driver Side	GXG4403AB	#.8	196.25
#w/Seat Assy Removed, R&R One Side Complete				
17 Cover, Seat Back†				
	Passenger Side	C2N2386LEG	#.9	0.00
	Driver Side	C2N2387LEG	#.9	0.00
†Charcoal listed, Order by Application				
18 Pad, Seat Back				
	Passenger Side	GJE4300AA	#.9	173.05
	Driver Side	GJE4301AA	#.9	173.05
#w/Seat Assy Removed, R&R One Side Complete				
19 Cover, Trim†				
	Passenger Side	R GJE4730AALEG	d41.10	
	Driver Side	L GJE4732AALEG	d72.65	
	Driver Side	R GJE4733AALEG	72.65	
	Driver Side	L GJE4731AALEG	41.10	
20 Knob, Release†				
	Passenger Side	GJB4760AALEG		15.55
	Driver Side	GJB4760AALEG		15.55
21 Bezel, Knob†				
	Passenger Side	GJE4762AALEG		10.25
	Driver Side	GJE4762AALEG		10.25
22 Headrest†				
	Passenger Side	C2N2402LEG	#.1	0.00
	Driver Side	C2N2402LEG	#.1	0.00
†Charcoal listed, Order by Application				
#Included in R&R Seat Back Cover				

W/O RECARO SEATS HIGH BACK

R&I Seat Assy.....R/L .3



033-01783

1 Track, Adjuster Seat†				
w/Memory				
1997-00				
	Passenger Side	GJD4800DA	#.3	1100.00
	Driver Side	GJD4801DA	#.3	1070.00
2001-05				
	Passenger Side	GJE4800DA	#.3	1100.00
	Driver Side	GJE4800DA	#.3	1100.00

w/o Memory				
1997-00				
	Passenger Side	GJD4800CA	#.3	1470.00
	Driver Side	GJD4800CA	#.3	1470.00
2001-05				
	Passenger Side	GJE4800CA	#.3	1100.00
	Driver Side	GJE4802CA	#.3	1100.00
	Driver Side	GJA4713BA	#.3	590.00
	Driver Side	GJA4711CA	#.3	515.00

†Order by Application
#w/Seat Assy Removed, R&R One Side Complete

4 Cover, Track†				
1997-00				
	Passenger Side	GJA4750ABLEG		30.55
	Driver Side	GJA4751ABLEG		16.85
2001-05				
	Passenger Side	GJE4750ACLEG		11.90
	Driver Side	GJE4751ACLEG		11.90
†Charcoal listed, Order by Application				

5 Module, Seat Control†				
1997				
To VIN 003299				
	Passenger Side	LJA2160AE00D	#.2	0.00
	Driver Side	LJA2160AE00D	#.2	0.00
From VIN 003300				
	Passenger Side	LJA2160AG4	#.2	375.00
	Driver Side	LJA2160AG4	#.2	375.00
1998-00				
	Passenger Side	LJA2160AG4	#.2	375.00
	Driver Side	LJA2160AG4	#.2	375.00
2001-05				
	Passenger Side	LJE2160AB1	#.2	396.00
	Driver Side	LJE2160AB1	#.2	396.00
†Order by Application				

6 Switch, Seat†				
1997-00				
	4-Way Adjust			
	Passenger Side	LJB6030AALEG	#.2	146.00
	Driver Side	LJB6030AALEG	#.2	146.00
	6-Way Adjust			
	Passenger Side	LJB6035AALEG	#.2	155.55
	Driver Side	LJB6035AALEG	#.2	155.55
2001-05				
	8-Way Adjust			
	Passenger Side	LJE6030ABLEG	#.2	124.40
	Driver Side	LJE6031ABLEG	#.2	124.40
	12-Way Adjust			
	Passenger Side	LJE6034ABLEG	#.2	124.40
	Driver Side	LJE6035ABLEG	#.2	124.40
†Charcoal listed, Order by Application				
#w/Seat Assy Removed				

7 Frame, Seat Bottom				
	Passenger Side	GJE4220BA	#.8	675.00
	Driver Side	GJE4220BA	#.8	675.00
#w/Seat Assy Removed, Includes R&R Seat Cushion Cover & Pad				

8 Frame, Backrest				
	Passenger Side	GJE4230CA	#.9	525.00
	Driver Side	GJE4231CA	#.9	625.00
#w/Seat Assy Removed, Includes R&R/R Seat Back Cover & Pad				

9 Adjuster, Lumbar				
	Passenger Side	GJE4776AA		279.00
	Driver Side	GJE4776AA		279.00

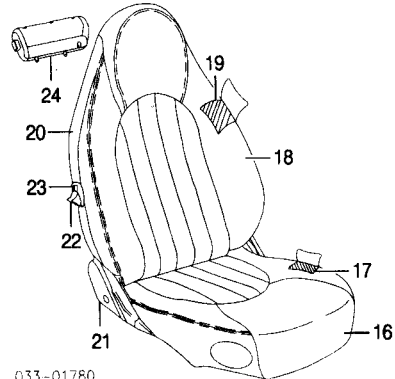
10 Motor, Backrest				
	Passenger Side	R/L GJE4713AA		468.00
	Driver Side	R/L GJE4713AA		468.00
	Driver Side	GJE4770CA		212.70

11 Motor, Headrest Adjust Cable, Actuator				
	Long			
	Passenger Side	BEC009309		79.60
	Driver Side	BEC009309		79.60

13 Short				
	Passenger Side	GJE4764AA		19.15
	Driver Side	GJE4764AA		19.15

14 Heater, Seat Cushion				
	Passenger Side	LXG2700AA		84.75
	Driver Side	LXG2700AA		84.75

15 Heater, Seat Back				
	Passenger Side	LXG2706AA		84.75
	Driver Side	LXG2706AA		84.75



033-01780

16 Cover, Seat Cushion†				
	Passenger Side	GJB4437ABLGE	#.8	375.00
	Cloth			
	Leather	GJB4436BLEG	#.8	655.00

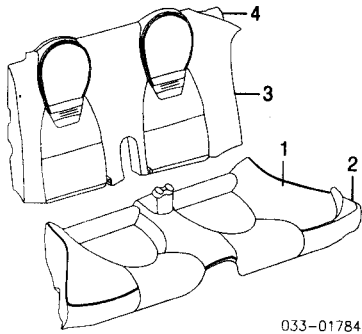
Driver Side Cloth	GJB4437ABLGE	#.8	375.00
Leather	GJB4437BLEG	#.8	655.00
†Charcoal listed, Order by Application			
17 Pad, Seat Cushion			
Passenger Side	GJA4402BC	#.8	234.35
Driver Side	GJA4403BC	#.8	234.35
#w/Seat Assy Removed, R&R One Side Complete			
18 Cover, Seat Back†			
Passenger Side			
Cloth	GJB4316AALEG	#.9	0.00
Leather	GJB4316ALEG	#.9	880.00
Driver Side			
Cloth	GJB4316AALEG	#.9	0.00
Leather	GJB4316ALEG	#.9	880.00
†Charcoal listed, Order by Application			
19 Pad, Seat Back			
Passenger Side	GJD4300AA	#.9	181.80
Driver Side	GJD4300AA	#.9	181.80
#w/Seat Assy Removed, R&R One Side Complete			
20 Panel, Seat Back Trim†			
Passenger Side	GJB4600AALEG		530.00
Driver Side	GJB4601AALEG		530.00
21 Cover, Outer Trim†			
Passenger Side			
R	GJB4731AALEG		46.20
L	GJB4733AALEG		43.60
Driver Side			
R	GJB4733AALEG		43.60
L	GJB4731AALEG		46.20
22 Knob, Release†			
Passenger Side	GJB4760AALEG		15.55
Driver Side	GJB4760AALEG		15.55
23 Bezel, Knob†			
Passenger Side	GJE4762AALEG		10.25
Driver Side	GJE4762AALEG		10.25
24 Pad, Headrest†			
Passenger Side	LJE2165AB		337.00
Driver Side	LJE2165AB		337.00
†Charcoal listed, Order by Application			

REAR SEAT

Use Procedure Explanation 30 with the following text.

W/RECARO SEATS

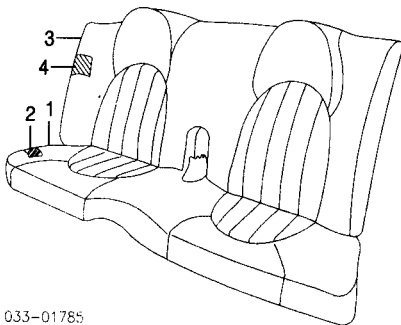
R&I Rear Seat Assy 4



1 Cover, Seat Back†			
Coupe	GXG5584BAAGD	#1.0	1250.00
Conv	GXG5589AALEG	#1.0	1250.00
2 Pad, Seat Back†			
Coupe	GXG5524BALEG	#1.0	1525.00
Conv	GXG5589AALEG	#1.0	1250.00
#w/Seat Assy Removed, R&R Complete			
3 Cover, Seat Cushion†			
Coupe	GXG5360AALEG	#1.0	1120.00
Conv	GXG5362AALEG	#1.0	1120.00
4 Pad, Seat Cushion†			
Coupe	GXG5300BBLEG	#1.0	870.00
Conv	GXG5304ABLEG	#1.0	870.00
†Charcoal listed, Order by Application			
#w/Seat Assy Removed, R&R Complete			

W/O RECARO SEATS

R&I Rear Seat Assy 4



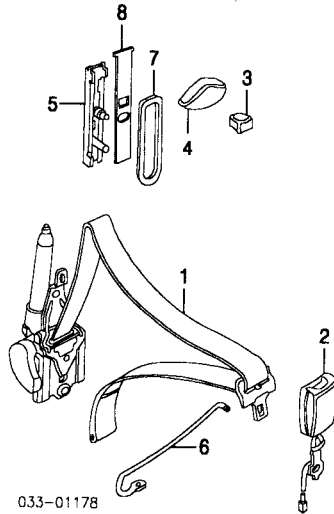
1 Cover, Seat Back†

Coupe	C2N3187LEG	#1.0	0.00
Conv	C2N3192LEG	#1.0	0.00
2 Pad, Seat Back†			
Coupe	C2N3163LEG	#1.0	0.00
Conv	C2N3166LEG	#1.0	0.00
#w/Seat Assy Removed, R&R Complete			
3 Cover, Seat Cushion†			
Coupe	C2N3184LEG	#1.0	0.00
Conv	C2N3188LEG	#1.0	0.00
4 Pad, Seat Cushion†			
Coupe	C2N3164LEG	#1.0	0.00
Conv	C2N3167LEG	#1.0	0.00
†Charcoal listed, Order by Application			
#w/Seat Assy Removed, R&R Complete			

SEAT BELTS

Use Procedure Explanation 30 with the following text.

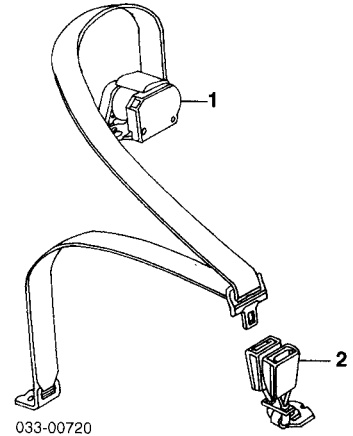
FRONT



1 Belt, Front Seat†			
1997-00			
R	HJA7010ABLEG	1.2	187.50
L	HJA7055ABLEG	1.2	187.50
2001-02			
Coupe			
R	HJE7034ABLEG	1.2	185.95
L	HJE7033ABLEG	1.2	185.95
Conv			
R	HJE7034BBLEG	1.2	185.95
L	HJE7033BBLEG	1.2	185.95
2003			
Coupe			
R	C2N002199LEG	1.2	168.40
L	C2N002202LEG	1.2	168.40
Conv			
R	C2N002201LEG	1.2	168.40
L	C2N002204LEG	1.2	168.40
2004			
Coupe			
To VIN A40017			
R	C2N002199LEG	1.2	168.40
L	C2N002202LEG	1.2	168.40
From VIN A40018			
R	C2N003195LEG	1.2	152.95
L	C2N002202LEG	1.2	168.40
Conv			
To VIN A40017			
R	C2N002201LEG	1.2	168.40
L	C2N002204LEG	1.2	168.40
From VIN A40018			
R	C2N003196LEG	1.2	152.95
L	C2N002204LEG	1.2	168.40
2005			
Coupe			
R	C2N003195LEG	1.2	152.95
L	C2N002202LEG	1.2	168.40
Conv			
R	C2N003196LEG	1.2	152.95
L	C2N002204LEG	1.2	168.40
2 Buckle, Belt†			
97-00 R	HJA7012DABEG	.4	d179.60
L	HJB7012CALEG	.4	181.80
01-02 R	HJD7012BABELG	.4	157.10
L	HJD7012AABELG	.4	134.45
03-05 R/L	HJE7017AGLEG	.4	119.00
†Charcoal listed, Order by Application			
3 Knob, Belt Adjuster			
Coupe			
1997-02	R/L HJA7140AALEG		2.25
2003-05-Serviced w/Belt Height Adjuster			
4 Cap, Seat Belt†			
1997-02	R/L HND7150AALEG		1.80
2003-05			
Coupe	R/L HJE7151ABLEG		1.55
Conv	R/L HND7150AALEG		1.80
5 Adjuster, Belt Height†			
Coupe			
97-02 R/L	HJA7044AC		51.25
03-05 R/L	HJE7044ABLEG		27.95
†Black listed, Order by Application			
6 Bar, Belt Slider			
97-02 R	HJA7040AA		24.05
L	HJA7041AA		24.05
03-05 R	HJE7040BA		20.35
L	HJE7041BA		20.35
7 Bezel, Slider Bar†			
Coupe			
97-02 R/L	GJA2486ACLEG		10.50
03-05 R	GJE2480ACLEG		10.75
L	GJE2481ACLEG		10.75

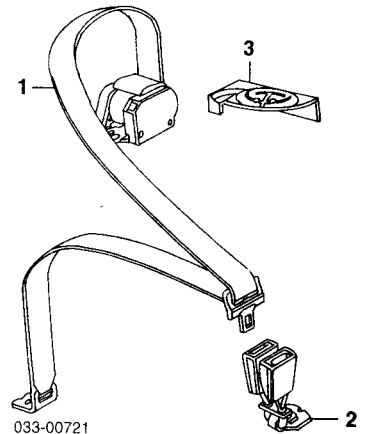
8 Shield, Slider Bar†			
Coupe			
1997-02	R/L GJA2488ACLEG		10.50
2003-05-Serviced w/Belt Height Adjuster			
†Charcoal listed, Order by Application			

REAR COUPE



1 Belt, Outer Rear Seat†			
197-99 R/L	HJA7061ABLEG	1.6	181.80
00-02 R/L	HJD7061AALEG	1.6	208.60
03-05 R/L	HJE7061ABLEG	1.6	171.50
2 Buckle, Center Belt†			
97-02 R/L	HJA7090ACLEG	#.2	86.00
03-05 R/L	HJE7090ACLEG	#.2	62.35
†Charcoal listed, Order by Application			
#w/Rear Seat Removed			

REAR CONV



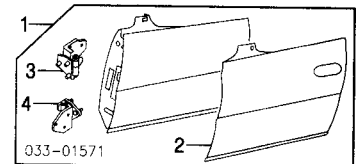
1 Belt, Outer Rear Seat†			
97-02 R/L	HJD7061BALEG	1.7	208.60
03-05 R/L	HJE7061BBLEG	1.7	171.50
2 Buckle, Center Belt†			
97-02 R/L	HJA7090AALEG	#.2	86.00
03-05 R/L	HJE7090ACLEG	#.2	62.35
#w/Rear Seat Removed			
3 Cover, Belt†			
R	HJA7106BBLEG		4.35
L	HJA7107BBLEG		9.20
†Charcoal listed, Order by Application			

FRONT DOOR

Use Procedure Explanations 16 and 28 with the following text.

SHEET METAL

Refinish Door Outside.....	R/L	2.2
Add for Jamb & Interior.....	R/L	1.0
Add for Jamb.....	R/L	.5
Refinish Upper Hinge.....	R/L	.2
Refinish Lower Door.....	R/L	.2
R&I Door Assy.....	R/L	1.8



JAGUAR XK8/XKR 1997-05

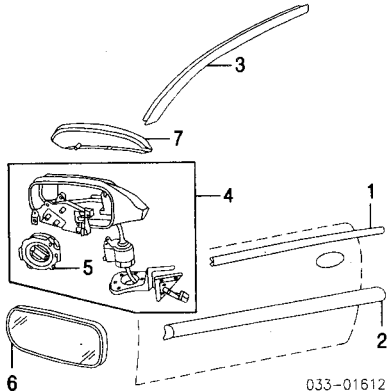
FRONT DOOR Cont'd

SHEET METAL Cont'd

1 Shell Assy, Door	R FJE3028AA	#6.5	1600.00
	L FJE3029AA	#6.5	1600.00
2 Panel, Door Repair	R FJA3032AA	#7.5	560.00
	L FJA3033AA	#7.5	560.00
<i>#Includes R&I Mirror</i>			
3 Hinge, Upper	R FJE3042AA	#.2	77.25
	L FJE3043AA	#.2	77.25
4 Hinge, Lower	R FJE3044AA	#.2	72.65
	L FJE3045AA	#.2	72.65
<i>†Included w/Door Shell Assy</i>			
<i>#w/Trim Panel Removed</i>			

EXTERIOR TRIM

Refinish Side Moulding	R/L	.3
Refinish Mirror Housing	R/L	.5
Refinish Outer Upper Cover	R/L	.3
R&I Outer Belt Moulding	R/L	#.9
<i>#Includes R&I Rear View Mirror Assy</i>		
R&I Rear View Mirror Assy	R/L	#.6
<i>#Includes R&I Trim Panel</i>		



1 Moulding, Outer Belt	97-03 R GJA1710AJ	#.3	72.65
	L GJA1711AJ	#.3	72.65
	04-05 R/L C2N002780-1	#.3	65.70
<i>#w/Rear View Mirror Assy Removed</i>			
2 Moulding, Side (Adhesive) (P)	R HJA5706AAXXX	.2	131.85
	L HJA5707AAXXX	.2	131.85
<i>(P) Paint to Match</i>			
<i>#Includes R&I Trim Panel</i>			
3 Moulding, Drip Rail-See Roof Section			
4 Housing Assy, Mirror	97-03 R HJJ3402AA	#1.0	475.00
w/Pwr Mirror	L HJJ3403AA	#1.0	475.00
	04-05 R/L C2N002931-2	#1.0	560.00
w/o Pwr Mirror	R HJJ3400AA	#1.0	341.00
	L HJJ3401AA	#1.0	363.00
<i>#Includes R&I Trim Panel</i>			
5 Motor, Mirror	R/L HNA3066AB	152.45	
w/Pwr Mirror	R/L HNA3064AA	86.30	
<i>†Included w/Mirror Housing Assy</i>			
6 Glass, Mirror			
Convex			
w/Warning Sensor	R HNA3420AA	.2	42.90
w/Electrochromatic	R HNA3076AA	.2	57.70
w/o Electrochromatic			
w/Warning Sensor	R HND3075AA	.2	121.30
w/Electrochromatic	R HNA3074AA	.2	57.70
w/o Electrochromatic	L HNA3072AA	.2	57.70
Flat	R HNA3056AA	#.3	101.45
	L HNA3057AA	#.3	101.45
7 Cover, Outer Upper (P)			
<i>(P) Paint to Match</i>			
<i>#Includes R&I/R&R Mirror Glass</i>			

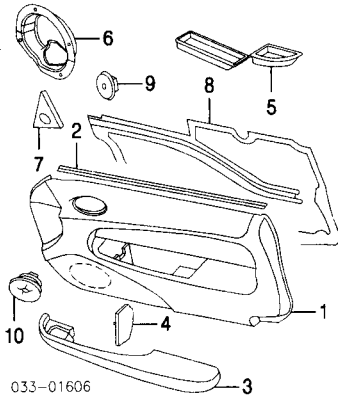
INTERIOR TRIM

R&I Trim Panel	R/L	.4
----------------	-----	----

NOTE: All Parts in this section are included in R&R Trim Panel unless noted otherwise.

Illustration Located in Next Column

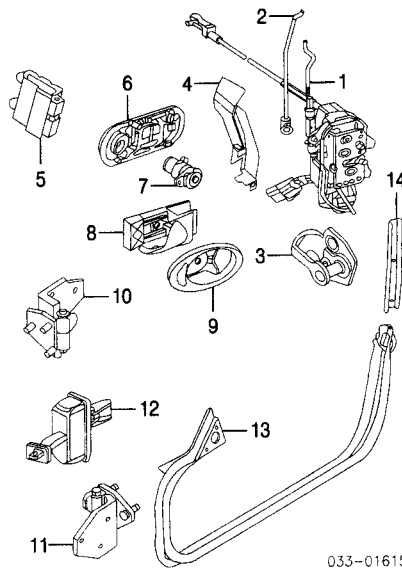
1 Panel, Trim	R GJB1204BALEG	.8	419.00
Classic Level Trim	L GJB1205BALEG	.8	432.00
	R GJB1204AALEG	.8	382.00
Sport Level Trim	L GJB1205AALEG	.8	382.00
<i>†Charcoal listed, Order by Application</i>			
2 Moulding, Inner Belt	R/L GJA1716AB	55.10	
3 Armrest, Door			
1997-02			
Classic Level Trim	R GJA1270FFLEG	#.5	266.00
	L GJA1271FFLEG	#.5	266.00



Sport Level Trim	R GJA1270HDLEG	#.5	212.00
	L GJA1271HDLEG	#.5	233.00
2003-05	R GJA1270GALEG	#.5	216.30
	L GJA1271GALEG	#.5	216.30
<i>#Includes R&I Trim Panel</i>			
4 Midg, Pocket Finish			
Classic Level Trim	R GJA1326BBLEG	31.10	
	L GJA1327BBLEG	31.10	
Sport Level Trim	R GJA1326ACLEG	28.70	
	L GJA1327ACLEG	28.70	
<i>†Charcoal listed, Order by Application</i>			
5 Finisher, Pocket	R GJA1358AB	73.90	
	L GJA1359AB	73.90	
6 Deflector, Water	R GJA1799AB	55.90	
	L GJA1798AB	55.90	
7 Panel, Grille Trim			
Std Sound System	R GJA1614CD	.1	70.85
	L GJA1615CD	.1	70.85
Harman/Kardon System97-99	R GJA1614BE	.1	70.85
	L GJA1615BE	.1	70.85
00-05 R	GJD1614AA	.1	68.75
	L GJD1615AA	.1	68.75
8 Shield, Moisture	R GJA1790AD	#	56.65
	L GJA1791AD	#	56.65
<i>#w/Trim Panel Removed, Not Included in R&R Trim Panel</i>			
9 Speaker, Radio	97-99 R/L LJA4145AB	#.2	49.60
	00-05 R/L LJD4145CA	#.2	38.00
<i>#Includes R&I/R&R Grille Trim Panel</i>			
10 Speaker, Radio			
Std Sound System	R/L LNA4140BA	#.2	37.35
Harman/Kardon System	R/L LJD4140BA	#.2	60.25
<i>#w/Trim Panel Removed, Not Included in R&R Trim Panel</i>			

HARDWARE

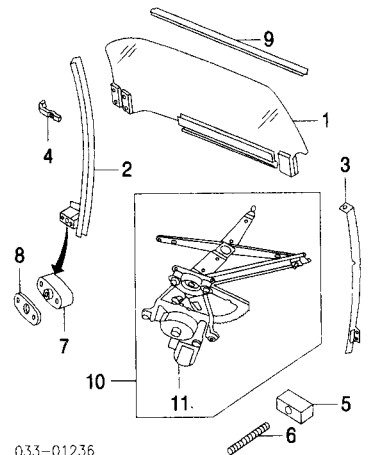
Refinish Outside Handle	R/L	.4
R&I Outside Handle	R/L	#.8
<i>#Includes R&I Trim Panel</i>		



1 Latch, Door	R GJA1080FJ	#.3	254.00
	1997-02		
	L GJA1081DL	#.3	254.00
2003-05			
w/Deadlock	R GJA1080EJ	#.3	254.00
	L GJA1081BL	#.3	254.00
w/o Deadlock	R GJA1080FJ	#.3	254.00
	L GJA1081DL	#.3	254.00
<i>#w/Trim Panel Removed</i>			
2 Link, Actuator	R/L GJA1159AA	12.05	

3 Striker, Latch	R/L C2C019760	.2	18.45
4 Shield, Door Latch	R GJA1124BA	6.90	
	L GJA1125BA	12.60	
5 Module, Elect Control	97-03 R/L LJE2120AB1	#.2	264.00
	04-05 R/L LJE2120AB	#.2	296.00
<i>#w/Trim Panel & Radio Speaker Removed</i>			
6 Handle, Outside			
Chrome	R JLM012032XXX	#.4	510.00
	L JLM012031XXX	#.4	510.00
Paint to Match	R JLM012038XXX	#.4	458.00
	L JLM012035XXX	#.4	458.00
<i>†Order by Application</i>			
<i>#w/Trim Panel Removed</i>			
7 Cylinder, Door Lock (a)	97-99 L JLM011983	#.6	156.05
	00-05 L HUD7215AA	#.6	d127.75
<i>(a) Included w/Complete Lock Set-listed in Steering Wheel/Column Section</i>			
<i>#w/Trim Panel Removed, Includes R&R Outside Handle</i>			
8 Handle, Inside			
Aluminum	R GXD1100AALEG	#.3	129.55
	L GXD1101AALEG	#.3	129.55
Plastic	R GJA1100BDLEG	#.3	49.70
	L GJA1101BDLEG	#.3	68.25
<i>#w/Trim Panel Removed</i>			
9 Escutcheon, Handle			
w/Memory	R GJA1154ACLEG	25.10	
	L GJA1155ACLEG	27.75	
w/o Memory	R GJA1154BCLEG	44.95	
	L GJA1155BCLEG	24.40	
<i>†Charcoal listed, Order by Application</i>			
10 Hinge, Upper	See Sheet Metal Section		
11 Hinge, Lower	See Sheet Metal Section		
<i>†Included w/Door Shell Assy</i>			
12 Check, Door	R/L GJA1982AE	#.2	62.05
<i>#w/Trim Panel Removed</i>			
13 Weatherstrip, Door			
Coupe	R HJA5362AC	#.8	214.25
	L HJA5363AC	#.8	214.25
Conv	R HJA5362BC	#.8	205.50
	L HJA5363BC	#.8	205.50
<i>#w/Mirror Removed</i>			
14 Seal, Upper			
To VIN A34704	R HJA5342BA	.3	21.70
	L HJA5343BA	.3	21.70
From VIN A34705	R HJA5342BB	.3	32.05
	L HJA5343BB	.3	32.05

GLASS & PARTS



1 Glass, Front Door			
Jaguar (Tint)	R GJA1000AG	1.4	281.00
Coupe	L GJA1001AG	1.4	281.00
Conv	R GJA1000BG	1.4	281.00
	L GJA1001BG	1.4	281.00
NAGS (Green)			
Coupe	R/L FD20146-7GTN	1.4	789.15
Conv	R/L FD20176-7GTY	1.4	793.10
2 Rail, Front Guide	R GJA1014AG	60.00	
	L GJA1015AG	60.00	
3 Rail, Rear Guide			
1997			
To VIN 011493	R GJA1016AE	69.55	
	L GJA1017AH	61.55	
	R GJA1016AH	61.55	
	L GJA1017AH	61.55	
	R GJA1016AH	61.55	
	L GJA1017AH	61.55	
1998-05			
	R GJA1016AE	61.55	
	L GJA1017AH	61.55	
4 Brkt, Locating	R/L GJA2034AA	4.70	
5 Block, Otr Adjustment	R/L GJA1053AC	51.25	
6 Rod, Glass Adjustment	R/L GJA1065AC	7.75	
7 Block, Inr Adjustment	R/L GJA1052AC	51.25	
8 Gskt, Adjustment	R/L GJA1051AC	1.80	
9 Moulding, Inner Belt-See Interior Trim Section			
Moulding, Outer Belt-See Exterior Trim Section			
10 Regulator Assy, Glass	R GJA1730AD	#1.6	640.00
	L GJA1731AD	#1.6	580.00
<i>#Includes R&I/R&R Door Glass</i>			
11 Motor, Regulator	R GJA1732AB	#1.8	435.00
	L GJA1733AB	#1.8	435.00
<i>†Included w/Glass Regulator Assy</i>			

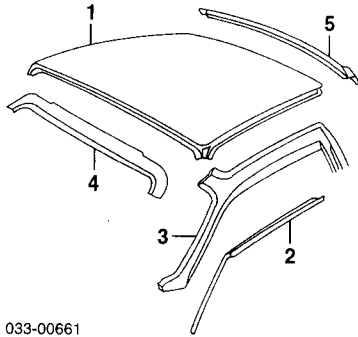
#Includes R&R Door Glass & Regulator

ROOF

Use Procedure Explanations 17 and 28 with the following text.

SHEET METAL/EXTERIOR TRIM COUPE

Refinish Roof Outside 2.8

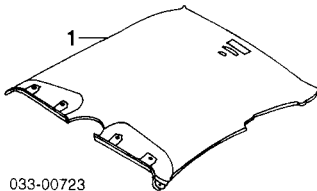


033-00661

1 Panel, Roof	FJA1102AB	22.0	970.00
2 Moulding, Drip Rail	97-03 R HJA5340BF	.4	123.85
	L HJA5341BF	.4	123.85
	04-05 R/L C2N002782-3	.4	98.65
3 Rail, Outer Side	See Rocker/Pillars/Floor Section		
	†Serviced w/Door Opening Frame Assy		
4 Panel, Front Header	FJE1104AA	1.5	105.10
5 Panel, Rear Header	FJG1105AA	1.5	95.80

INTERIOR TRIM COUPE

R&I Headliner 3.5



033-00723

1 Headliner	97-02 HJA1005ACLFJ	3.5	466.00
	03-05 C2N003333LFJ	3.5	483.00
	†Gray listed, Order by Application		

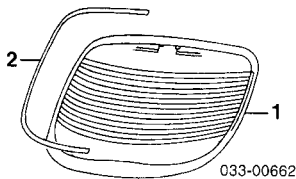
BACK WINDOW

Use Procedure Explanation 19 with the following text.

COUPE

R&I Back Glass #3.8

#Includes Clean Up Old Adhesive as Necessary

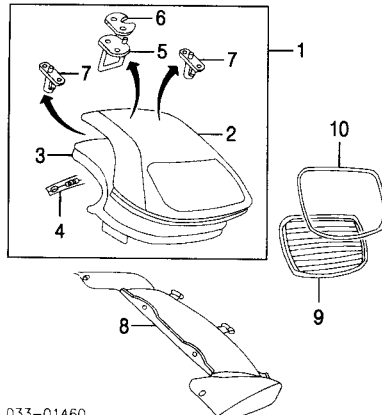


033-00662

1 Glass, Back Window			
	Jaguar (Tint)		
	1997-03		
	w/High Mount Stop Lamp	GJG9021BA	#3.4 550.00
	w/High Mount Stop Lamp	97-02 GJA9021BF	#3.4 530.00
		03 GJG9021AA	#3.4 545.00
		C2N002961	#3.4 550.00
	2004-05	C2N002961	#3.4 550.00
	NAGS (Green)	FB20150GTN	#3.4 640.40
		#Includes Clean Up Old Adhesive as Necessary	
2 Moulding, Reveal	R GJA9018AB		103.00
	L GJA9019AB		103.00

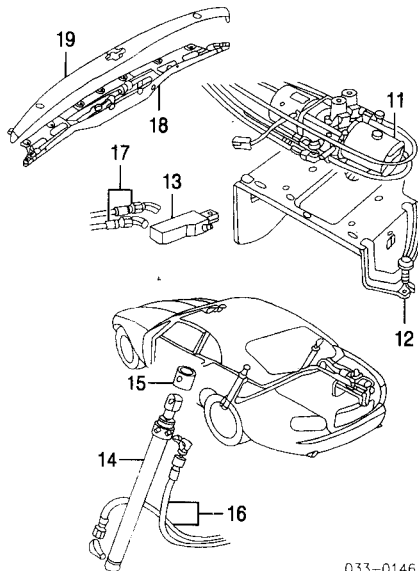
CONVERTIBLE TOP

R&I Convertible Top Assy 4.0



033-01460

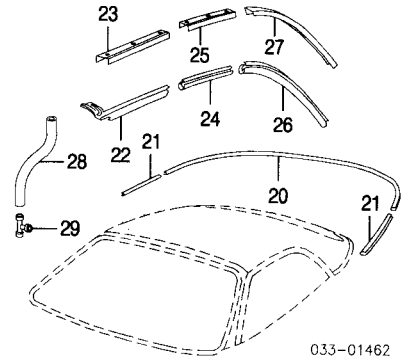
1 Cover/Frame Assy, Top (a)	JLMO21291PDM	5.0	6500.00
2 Cover, Outer Top	HJC7732AAPDM	5.5	770.00
	(a) Black listed, Order by Application		
3 Headliner	HJA7808AAAGD		495.00
	(a) Oatmeal listed, Order by Application		
4 Plate, Front Closing	HJB8170AA		30.95
5 Striker, Latch	HJA8210BC		22.80
6 Spacer, Striker	HJB8213CA		8.55
7 Pin, Latching	R/L HJA8211BB		34.05
	†Included w/Top Cover/Frame Assy		
8 Cover, Top Storage (a)	HUD7712AALG		805.00
	(a) Charcoal listed, Order by Application		
9 Window, Back			
	Jaguar (Heated/Tint)	GJA9021FE	2.9 550.00
	NAGS (Green)	FB20180GTN	2.9 785.60
10 Seal, Back Glass	GJA9022AC		76.50



033-01461

11 Pump, Top Lift	HJC8241AA		1490.00
12 Brkt, Pump Mtg	97-99 HJA8205BD		50.45
	00-05 HJD8205AA		52.05
	HJD8243AA		308.00
13 Cylinder, Latch			
14 Cylinder, Top Lift			
	1997-98	R HJA8254CC	233.30
		L HJA8255CB	233.30
	1999		
	To VIN 031317	R HJA8254CC	233.30
		L HJA8255CB	233.30
	From VIN 031318	R HJB8254AA	230.75
		L HJB8255AA	237.95
	2000-05	R HJC8254AA	259.00
		L HJB8255AA	237.95
		R/L JZY100018	4.20
15 Pin, Spring			
16 Hose, Cylinder			
	1997-98	R HJA8252AB	97.35
		L HJA8253AB	136.25
	1999		
	To VIN 031317	R HJA8252AB	97.35
		L HJA8253AB	136.25
	From VIN 031318	R HJB8252AA	133.90
		L HJB8253AA	133.90
	2000-05	R HJB8252AA	133.90
		L HJB8253AA	133.90
17 Hose, Power Latch			
	1997-98	R/L HJA8256AB	74.20
	1999		
	To VIN 031317	R/L HJA8256AB	74.20
	From VIN 031318	HJB8256AA	111.25

2000-05	HJB8256AA	111.25	
18 Latch	HJE8226AB	825.00	
19 Cover, Latch			
	1997		
	To VIN 011773	HJA7727BE	115.90
	From VIN 011774	HJA7727BH	102.00
	1998-03	HJA7727BH	102.00
	2004-05	HJA7727BH	102.00



033-01462

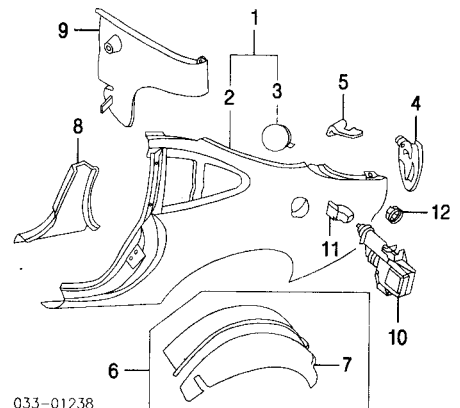
20 Weatherstrip, Storage Cover	HJA7718AA		77.80
21 Seal, Storage Frame	R/L HJA8138AB		86.30
22 Seal, Frt Top	R HJG7778AA		130.55
	L HJG7779AA		130.55
	R HJA7736AC		36.05
23 Retainer, Frt Top Seal	L HJA7737AC		23.85
	R HJB7780AA		109.20
24 Seal, Center Top	L HJB7781AA		109.20
	R HJA7738AC		30.75
25 Retainer, Ctr Top Seal	L HJA7739AC		30.75
	R HJB7782AA		112.05
26 Seal, Rear Top	L HJB7783AA		112.05
	R HJA7740AC		32.70
27 Retainer, Rear Top Seal	L HJA7741AC		36.05
	R HJC8130CA		33.30
28 Hose, Drain	L HJC8130DA		33.30
	R HJC8130DA		33.30
29 Fitting, Drain Hose	KCH310100		2.55

QUARTER PANEL

Use Procedure Explanations 20 and 28 with the following text.

SHEET METAL COUPE

Refinish Quarter Outside	R/L	2.3
Add to Edge Panel	R/L	.5
Add for Pillar	R/L	.5
Refinish Fuel Door		#.4
#Included in Refinish Left Quarter Outside		
R&R Both Quarter Panels		31.6
R&R Roof & Both Quarter Panels		42.9
R&R Rear Body Panel & Both Quarter Panels		33.1
R&R Roof, Both Quarters & Rear Body Panel		44.4
Add to R&R Quarter Panel		
To R&I Quarter Glass	R/L	.2
To R&I Back Glass		.4



033-01238

1 Panel Assy, Quarter	97-03 R JLMO20070	#19.0	1650.00
	L JLMO20071	#18.0	1650.00
	04-05 R C2N003004	#19.0	1090.00
	L C2N003005	#18.0	1090.00
2 Panel, Outer Qtr	97-03 R FJA1320AF	#19.0	935.00
	L FJA1321AF	#18.0	935.00
	04-05 R C2N002864	#19.0	915.00
	L C2N002866	#18.0	915.00
	#Deduct 5.7 w/Roof Removed, Deduction Includes Common Surfaces & Included Operations		
3 Door, Fuel Filler	L FJA3089AG	.2	63.60
	†Included w/Quarter Panel Assy		

QUARTER PANEL Cont'd

SHEET METAL

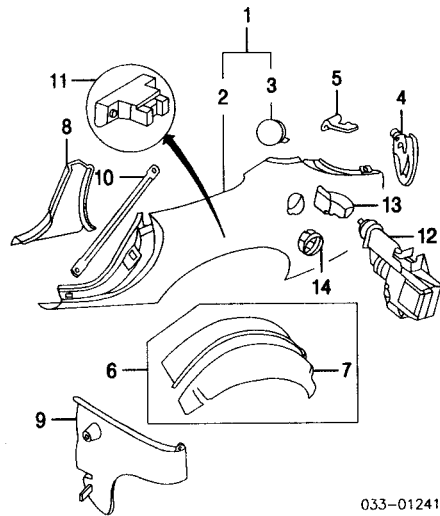
COUPE Cont'd

4 Panel, Lamp Mtg	97-00 R FJA1400AC	1.0	64.90
	L FJA1401AC	1.0	64.90
	01-05 R FJE3404AB	1.0	58.75
	L FJE3405AB	1.0	58.75
5 Panel, Drain Channel	R FJE1406AB	1.0	20.30
	L FJE1407AB	1.0	20.30
6 Wheelhouse Assy	R FJE3328AA	6.5	263.00
	L FJE3329AA	6.5	263.00
7 Panel, Outer Whihse (a)	R FJA1330AG	2.5	311.00
	L FJA1331AF	2.5	311.00
<i>(a) Included w/Wheelhouse Assy</i>			
8 Pillar, Inner Lock	R FJB1628AC	1.0	231.75
	L FJB1629AC	1.0	231.75
9 Liner, Wheelhouse	97-00 R/L C2N002754-5	.3	16.10
	01-05 R/L C2N002754-5	.3	16.10
10 Latch, Fuel Door	L HJA3093BE	.2	63.10
11 Striker, Latch	L HJA3097AD	.2	8.25
12 Nut, Latch	L HJA3108AC		1.15

SHEET METAL CONV

Refinish Quarter Outside	R/L	2.6
Add to Edge Panel	R/L	.5
Add for Pillar	R/L	.5
Refinish Fuel Door		#.4

<i>#Included in Refinish Left Quarter Outside</i>		
R&R Both Quarter Panels		36.4
R&R Rear Body Panel & Both Quarter Panels		37.9

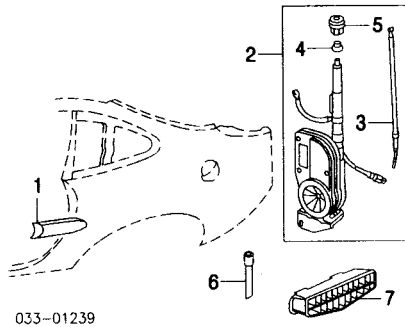


033-01241

1 Panel Assy, Quarter	97-03 R JLM020072	19.5	1600.00
	L JLM020073	18.5	1600.00
	04-05 R C2N003007	19.5	985.00
	L C2N003006	18.5	985.00
2 Panel, Outer Qtr	97-03 R FJA1320BE	19.5	935.00
	L FJA1321BE	18.5	935.00
	04-05 R C2N002865	19.5	915.00
	L C2N002866	18.5	915.00
3 Door, Fuel Filter	R FJA3089AG	.2	63.60
<i>#Included w/Quarter Panel Assy</i>			
4 Panel, Lamp Mtg	97-00 R FJA1400AC	1.0	64.90
	L FJA1401AC	1.0	64.90
	01-05 R FJE3404AB	1.0	58.75
	L FJE3405AB	1.0	58.75
5 Panel, Drain Channel	R FJE1406AB	1.0	20.30
	L FJE1407AB	1.0	20.30
6 Wheelhouse Assy	R FJE3328AA	6.5	263.00
	L FJE3329AA	6.5	263.00
7 Panel, Outer Whihse (a)	R FJA1330AG	2.5	311.00
	L FJA1331AF	2.5	311.00
<i>(a) Included w/Wheelhouse Assy</i>			
8 Pillar, Inner Lock	R FJB1628AC	1.0	231.75
	L FJB1629AC	1.0	231.75
9 Liner, Wheelhouse	97-03 R/L C2N002754-5	.3	16.10
	04-05 R/L C2N002754-5	.3	16.10
10 Strut, Rear Reinf	R/L HJA4621AC		16.80
11 Mount, Side Body	R/L MJA7580AB		195.70
12 Latch, Fuel Door	L HJA3093BE	.2	63.10
13 Striker, Latch	L HJA3097AD	.2	8.25
14 Nut, Latch	L HJA3108AC		1.15

EXTERIOR TRIM COUPE

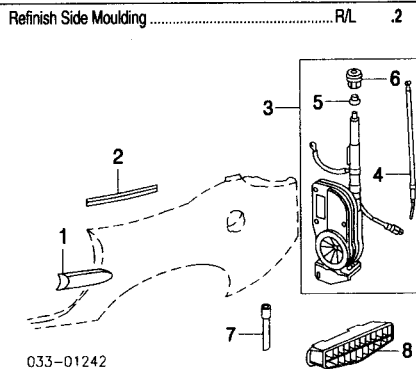
Refinish Side Moulding	R/L	2
------------------------	-----	---



033-01239

1 Moulding, Side (Adhesive) (P)	R HJA5716AAXXX	.2	80.85
	L HJA5717AAXXX	.2	80.85
<i>(P) Paint to Match</i>			
2 Antenna Assy, Power	R LJA4120AB	#.8	359.00
<i>#Includes R&I/R&R Rear Body Right Side Trim Panel</i>			
3 Mast/Cable	L LNA4134AA	.3	49.85
4 Nut, Antenna	L LNA4136AA		19.85
5 Grommet, Sealing	L LJA4131AA		4.35
<i>#Included w/Power Antenna Assy</i>			
6 Tube, Antenna Drain	LJA4133AB		7.05
7 Vent, Pressure	R/L HJA3721AA	.2	25.15

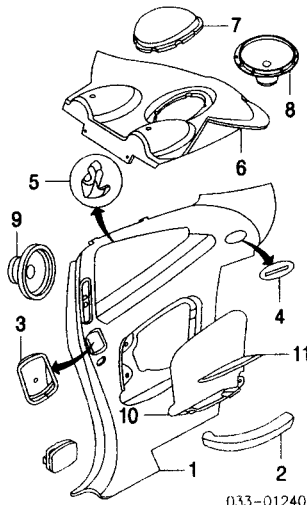
EXTERIOR TRIM CONV



033-01242

Refinish Side Moulding	R/L	2	
1 Moulding, Side (Adhesive) (P)	R HJA5716AAXXX	.2	80.85
	L HJA5717AAXXX	.2	80.85
<i>(P) Paint to Match</i>			
2 Moulding, Outer Belt	97-03 R HJA5754CC		51.05
	L HJA5755CC		51.05
	04-05 R/L C2N002997-8		49.70
3 Antenna Assy, Power	R LJA4120AB	#.8	359.00
<i>#Includes R&I/R&R Rear Body Left Side Trim Panel</i>			
4 Mast/Cable	L LNA4134AA	.3	49.85
5 Nut, Antenna	L LNA4136AA		19.85
6 Grommet, Sealing	L LJA4131AA		4.35
<i>#Included w/Power Antenna Assy</i>			
7 Tube, Antenna Drain	L LJA4133AB		7.05
8 Vent, Pressure	R/L HJA3721AA		25.15

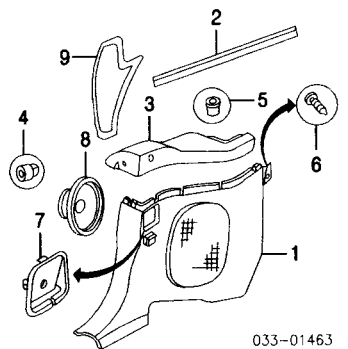
INTERIOR TRIM COUPE



033-01240

1 Panel, Qtr Trim	97-00 R GJA2428AFLEG	#.3	765.00
	L GJA2429AFLEG	#.3	765.00
	01-02 R GJE2428BBLEG	#.3	830.00
	L GJE2429BALEG	#.3	d740.00
	03-05 R C2N002653LEG	#.3	740.00
	L C2N002656LEG	#.3	740.00
<i>#w/Rear Seat Removed</i>			
2 Armrest, Trim Panel	R GJA2438ABLEG	.1	129.80
	L GJA2439ABLEG	.1	129.80
	1998		
To VIN 025635	R GJA2438ABLEG	.1	129.80
	L GJA2439ABLEG	.1	129.80
From VIN 025636	R GJA2438ABLEG	.1	78.05
	L GJA2439ABLEG	.1	77.75
1999	R GJA2438ABLEG	.1	78.05
	L GJA2439ABLEG	.1	77.75
2000-02			
Classic Level Trim	R GJA2438ABLEG	.1	78.05
	L GJA2439ABLEG	.1	77.75
Sport Level Trim	R GJD2438AALEG	.1	114.85
	L GJD2439AALEG	.1	114.85
2003-05	R GJA2438ABLEG	.1	78.05
	L GJA2439ABLEG	.1	77.75
3 Escutcheon, Frt Seat Belt	97-00 R/L GJE2487AALEG		10.25
	01-05 R/L GJE2487AALEG		10.25
4 Escutcheon, Rear Seat Belt	R/L GJA2489ACLEG		10.50
5 Hook, Coat	97-02 R/L BEC023321LEG	.1	17.25
	03-05 R/L C2N001826LEG	.1	7.15
6 Tray, Rear Shelf	HJD1200AALEG	#1.8	201.90
w/Child Restraint System	HJA1200BBLEG	#1.8	219.40
w/o Child Restraint System			
<i>#Includes R&I/R&R Rear Seat, Quarter Trim & Radio Speakers</i>			
7 Cover, Shelf Blanking	HJA1212CDLEG	.1	74.70
w/Speaker Grille	HJA1240BBLEG	.1	45.75
w/o Speaker Grille			
<i>#Charcoal listed, Order by Application</i>			
8 Speaker, Rear Shelf	LJD4144BA		213.75
Harman/Kardon System	R/L LJD4140BA	#1	60.25
9 Speaker, Qtr Panel	R/L LJD4140BA	#1	60.25
<i>#w/Rear Shelf Tray Removed</i>			
10 Grille, Side Speaker	R GJA2448ABLEG	.1	52.30
	L GJA2449ABLEG	.1	52.30
<i>#Charcoal listed, Order by Application</i>			
11 Insert, Pocket	R GJA2494AA		51.25
	L GJA2495AA		42.50

INTERIOR TRIM CONV



033-01463

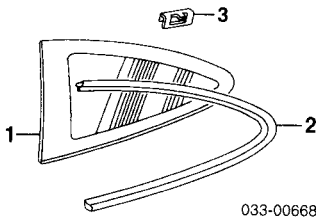
1 Panel, Lwr Qtr Trim	1997		
To VIN 016418	R GJA2428CFLEG	#.3	765.00
	L GJA2429CFLEG	#.3	765.00
	R GJE2428CBLEG	#.3	875.00
	L GJE2429CBLEG	#.3	875.00
From VIN 016419	R GJE2428CBLEG	#.3	875.00
	L GJE2429CBLEG	#.3	875.00
1998-05	R GJE2428CBLEG	#.3	875.00
	L GJE2429CBLEG	#.3	875.00
<i>#Charcoal listed, Order by Application</i>			
<i>#w/Rear Seat & Upper Trim Panel Removed</i>			
2 Moulding, Inner Belt	R HJA5748CD		74.95
	L HJA5749CD		74.95
3 Panel, Upper Trim	97-00 R GJA2496ACLEG	.3	94.50
	L GJA2497ABLEG	.3	94.50
	01-05 R GJE2496BBLEG	.3	104.80
	L GJE2497AALEG	.3	112.30
<i>#Charcoal listed, Order by Application</i>			
4 Nut, Front Lock	R/L KZR100007		.60
5 Nut, Rear Lock	R/L KZR100010		.60
6 Clip, Panel	R/L KTC100010		1.15
7 Escutcheon, Seat Belt	R/L GJA2487BALEG		10.50
<i>#Charcoal listed, Order by Application</i>			
8 Speaker, Radio	97-99 R LJB4150BA	#.2	274.00
	L LJB4151BA	#.2	274.00
	00-05 R LJD4150BA	#.2	172.55
	L LJD4151BA	#.2	172.55
<i>#w/Upper & Lower Quarter Trim Removed</i>			
9 Shield, Moisture	1997		
	R HJA8134BE		34.40
	L HJA8135BE		34.40
1998			
To VIN 027935	R HJA8134BE		34.40
	L HJA8135BE		34.40
From VIN 027936	R HJB8134AA		35.65
	L HJB8135AB		22.80
1999-02	R HJB8134AA		35.65
	L HJB8135AB		22.80
2003			

To VIN A33926	R HJB8134AA	35.65
	L HJB8135AB	22.80
From VIN A33927	R HJB8134AB	22.80
	L HJB8135AB	22.80
2004-05	R HJB8134AB	22.80
	L HJB8135AB	22.80

QUARTER GLASS

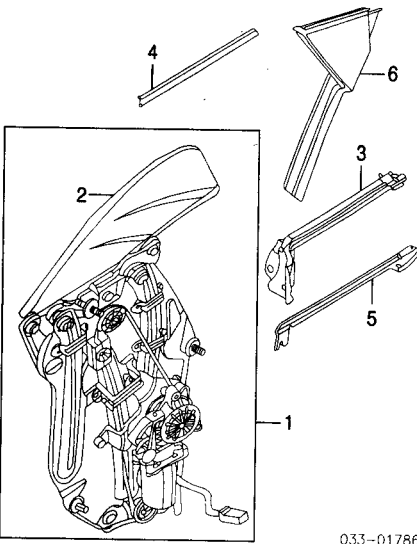
COUPE

R&I Quarter Glass.....R/L #2.2
 #Includes Clean Up Old Adhesive as Necessary



1 Glass, Quarter Jaguar (Tint)	R GJA2200BG	#2.0	178.20
	L GJA2201BG	#2.0	178.20
NAGS	R/L FQ20148-9GTY	#2.0	0.00
#Includes Clean Up Old Adhesive as Necessary			
2 Moulding, Reveal	97-03 R GJA2230AF	.5	200.35
	L GJA2231AF	.5	200.35
	04-05 R/L C2N002774-5	.5	165.85
	R/L JZE100050		1.15

CONV



1 Glass/Regulator Assy Jaguar	R GJE2242AE	#3.8	650.00
	L GJE2243AE	#3.8	650.00
NAGS	R/L FQ20178-9GTN	#3.8	1698.00
#Includes R&I/R&R Upper & Lower Trim Panels & Rear Seat, Deduct 1.0 w/Convertible Top Removed			
2 Seal, Quarter Glass	R GJA2248BD	66.70	
	L GJA2249BD	66.70	
#Included w/Glass/Regulator Assy			
3 Moulding, Inner Belt-See Quarter Panel Section	R HJA5762AB	17.25	
	L HJA5763AB	17.25	
4 Moulding, Outer Belt-See Quarter Panel Section	R HJA8136BA	14.70	
	L HJA8137BA	14.70	

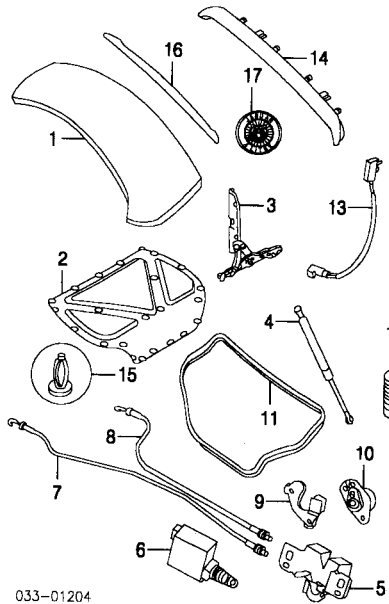
LUGGAGE LID

Use Procedure Explanations 24 and 28 with the following text.

SHEET METAL

Refinish Luggage Lid Outside	2.2
Add for Underside	1.1
Refinish License Lamp Cover	.5
Refinish Hinge	.2
Refinish Spoiler	.8
R&I Luggage Lid	
Coupe	.8
Conv	#1.0
#Includes R&I/R&R High Mount Stop Lamp	
Add to R&R Luggage Lid To Drill for Installation of Spoiler	.4

To Transfer Spoiler.....3



1 Lid, Luggage Coupe	97-99 FJE3019HA	2.0	d645.00
	00-05 FJE3019AA	2.0	d610.00
Conv	97-99 FJE3019HA	#2.2	d645.00
	00-02 FJE3019JA	#2.2	d645.00
	03-05 FJE3019BA	#2.2	725.00
#Includes R&I/R&R High Mount Stop Lamp			

2 Liner, Trunk Coupe	97-02 GJA3616AG	.3	152.20
	03-05 GJA3616AK	.3	121.80
Conv	97-02 GJA3616BG	.3	152.20
	03-05 GJA3616BJ	.3	129.00
3 Hinge, Lid	R FJA3026AE	#4	213.75
	L FJA3027AE	#4	213.75

4 Strut, Support Coupe	R/L GJA3800BB	#2	81.40
Conv	R/L GJA3800AB	#2	81.40
#Included in R&I/R&R Lid Hinge			

5 Latch w/Safety Release	GJE3500BB	.3	28.40
w/o Safety Release	GJE3500AA	.3	d30.45
1997	BDC007550	#3	127.75
1998			
To VIN 018854	BDC007550	#3	127.75
From VIN 018855	GNC3535AA	#3	94.50
1999-05	GNC3535AA	#3	94.50

7 Cable, Latch Actuator	GJA3482BA		26.50
8 Cable, Latch Release	GJA3487AB		12.20
9 Brkt, Latch	GJA3518AC		13.50
10 Cylinder, Lid Lock (a)	HNA7211AA	#3	92.70
(a) Included w/Complete Lock Set-listed in Steering Wheel/Column Section			

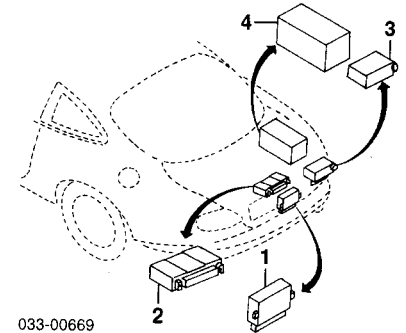
11 Weatherstrip, Lid Coupe	HJA5372AD	.5	72.10
Conv	HJA5372BD	.5	72.10
12 Bumper, Lid	R/L C2S024715		13.85
13 Switch, Trunk Open	LNC6242AC		31.90
14 Cover, License Lamp	JLM020286	.4	97.35
	2003-05		
	XX8	.4	152.95
	XXR (P)	.4	157.60
(P) Paint to Match			
15 Retainer, Trunk Liner (16)	AGU002530		1.25
16 Spoiler (P)	00-03 HJB6160ABXXX	.4	435.00
	04 C2N003406XXX	.4	461.00
	05 C2N003406XXX	.4	461.00

17 Emblem, Jaguar (Adhesive)			
	1998-02		
	XX8	.2	51.15
	XXR	.2	48.25
	2003-05	.2	0.00
	N.A.		

ELECTRICAL COMPONENTS

Illustration Located in Next Column

1 Module, Adaptive Damping	LJA1970AC	.3	371.00
2 Module, Locking	LJA2600AH6	.3	466.00
#Order by Application			
3 Box, Trunk Fuse	97 LJA2822BF	1.0	146.00



033-00669

98-00 LJB2822DB	1.0	146.00
01-02 LJE2822BA	1.0	143.45
03-05 LJG2822BB	1.0	133.40

4 Battery-See Electrical Section

REAR SUSPENSION

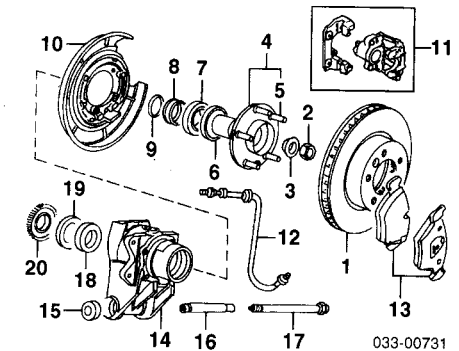
Use Procedure Explanation 23 with the following text.

R&I Suspension/Sub-Frame Assy	m	3.7
R&I Suspension (One Side)	R/Lm	2.6
R&R Brake Rotor	R/Lm	#9
#R&R Both Sides 1.6		
R&R Coil Spring	R/Lm	#1.6
#w/Hub Carrier (Knuckle) Removed Deduct .5		
O/H Suspension (Includes R&I) One Side	R/Lm	6.0
Both Sides	m	10.0
Adjust Four Wheel Alignment	m	2.2
Bleed Brake System	m	.4

NOTE 1: R&I/R&R or O/H Does Not include alignment or bleed brake system.

NOTE 2: Refer to Special Cautions Section at the beginning of this vehicle text.

NOTE 3: All Parts in this section are included in overhaul unless noted otherwise.



1 Rotor Set, Brake	JLM020342	m	#	198.80
	1997-99			
	2000-02			
w/Perf Pkg	JLM021748	m	#	640.00
w/o Perf Pkg	JLM020342	m	#	198.80
2003				
XX8	C2N002360	m	#	565.00
XXR	JLM021748	m	#	640.00
2004-05				
w/Brembo Brakes				
Ventilated Rotors	JLM021748	m	#	640.00
Non-Ventilated Rotors	C2N002360	m	#	565.00
w/o Brembo Brakes	JLM020342	m	#	198.80
#Set of 2				

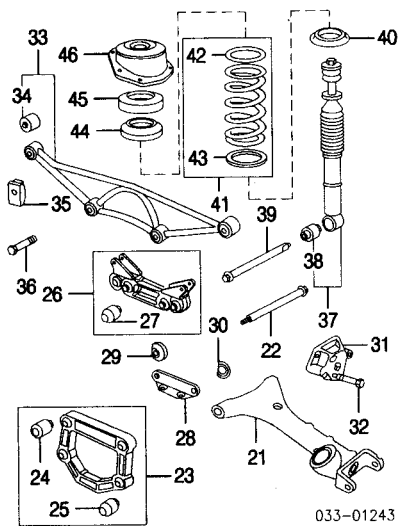
2 Nut, Hub	R/L JZ100035	m	9.65	
3 Collar, Hub	R/L CBC006652	m	6.15	
4 Hub Assy, Wheel				
	1997-99	R/L MNA3337AA	m #2.3	231.25
	2000			
To VIN A07078	R/L MNA3337AA	m #2.3	231.25	
From VIN A07079	R/L MNE3337AB	m #2.3	232.30	
2001-05	R/L MNE3337AB	m #2.3	232.30	

#Includes R&R Rotor & Outer Seal				
5 Stud, Wheel (a) (5/Side)	R/L JZB100064	m	2.25	
(a) Included w/Wheel Hub Assy				
6 Seal, Outer	R/L CCC004466	m #2.3	10.90	
#Included in R&R Hub				
7 Bearing, Outer	R/L CAC006333	m #3.0	23.65	
8 Spacer, Bearing	R/L CBC008207	m #3.0	10.90	
9 Shim, Hub (b) (c)	CBC0095051	m	12.05	
(c) As Required				
#Included in R&R Hub Carrier				
10 Shield, Splash (b)				

JAGUAR XK8/XKR 1997-05

REAR SUSPENSION Cont'd

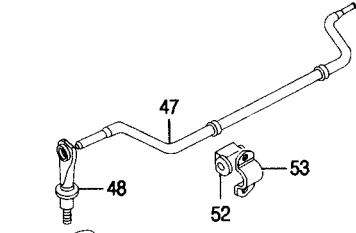
1997-02 w/Perf Pkg w/o Perf Pkg 2003-05	R/L JLM021285-6 R/L JLM012338-9 R MXD2788AA L MXD2789AA	m #2 m #2 m #2 m #2	0.00 176.65 222.50 219.90
#w/Hub Removed			
11 Caliper, Brake (b)	R/L JLM020232-3	m #8	685.00
1997-99	R/L JLM021317-8	m #8	d770.00
2000-02	R/L JLM020232-3	m #8	685.00
w/Perf Pkg w/o Perf Pkg 2003 XK8	R MXD2712CA L MXD2713CA R/L C2N002146-7	m #8 m #8 m #8	800.00 800.00 615.00
XKR	R/L C2N002146-7	m #8	615.00
2004-05 XK8	R MXD2712CA L MXD2713CA R/L JLM020232-3	m #8 m #8 m #8	800.00 800.00 685.00
w/Brembo Brakes w/o Brembo Brakes XKR	R/L JLM020232-3	m #8	685.00
w/Pad w/o Pad	R/L C2N003249-50 R/L C2N002146-7	m #8 m #8	610.00 615.00
(b) Order by Application #w/Rotor Removed Deduct .5			
12 Hose, Brake	R/L MJA5670BB	m #3	44.55
1997-99	R/L C2N003108	m #3	79.85
2000-02	R/L MJA5670BB	m #3	44.55
w/Perf Pkg w/o Perf Pkg 2003-05	R/L C2N003108	m #3	79.85
#w/Caliper Removed Deduct .1			
13 Pad Set, Brake (b)	JLM021220	m #1.6	91.95
1997-99	MXD2750AA	m #1.6	345.00
2000-02	JLM021220	m #1.6	91.95
w/Perf Pkg w/o Perf Pkg 2003	MXD2750AA	m #1.6	345.00
2004-05	MXD2750AA	m #1.6	345.00
w/Brembo Brakes w/o Brembo Brakes	JLM021220	m #1.6	91.95
(b) Order by Application #Deduct .8 for Each Caliper Removed			
14 Carrier, Hub/Knuckle	R MXD3290AA L MXD3291AA	m #3.0 m #3.0	525.00 650.00
w/Perf Pkg	97-02 R MNA3290AA L MNA3291AA	m #3.0 m #3.0	565.00 565.00
w/o Perf Pkg	03-05 R MJA3290AA L MJA3291AA	m #3.0 m #3.0	411.00 411.00
15 Bearing, Carrier (2/Side)	R/L CAC004610	m #3.0	12.85
16 Sleeve, Pivot	R/L MNE4520AA	m #3.0	23.30
17 Pin, Pivot	R/L JZB100047	m #3.0	19.35
18 Bearing, Inner	R/L JLM021053	m #3.0	25.15
19 Seal, Inner	R/L CBC001706	m #3.0	6.25
20 Rotor, Rear ABS Sensor	R/L CBC004705	m #3.0	59.75
#R&R One Side Complete, includes R&R Rotor, Hub, Seals & Bearings			



033-01243

21 Arm, Lower Control	R MNG2960AA L MNG2961AA	m #2.6 m #2.6	487.00 487.00
22 Bolt, Pivot	R/L MMB2860AA	m #2.6	29.25
#R&R One Side Complete, w/Hub Carrier (Knuckle) Removed Deduct .6			
23 Plate Assy, Pendulum	MNE2840AA	m	287.00
24 Bushing, Upper (d)	R/L CAC0077601	m	21.25
25 Bushing, Lower (d)	R/L CAC004713	m	11.95
(d) Included w/Pendulum Plate Assy			
26 Tie Assy, Control Arm	MNC2855BA	m	196.25
27 Bushing, Cont Arm Tie (e)	R/L CAC004713	m	11.95
(e) Included w/Control Arm Tie Assy			
28 Bracket, Tie Mount	MJA2617AA	m	11.10
1997			
1998			

To VIN 028541	MJA2617AA	m	11.10
From VIN 028542	MNC2617BA	m	7.70
1999-05	MNC2617BA	m	7.70
29 Spacer, Front Mtg	97-99 R/L MNA2885AA	m	11.10
30 Spacer, Rear Mtg	97-99 R/L MNA2885BA	m	11.10
31 Bumper, Jounce	R/L MJA3750AB	m	33.15
32 Bolt, Mtg (2/Side)	R/L JZS100167	m	.80
33 Strut Assy, Axle	MJA3713AD	m #2.5	141.90
#w/Necessary Bolted Parts Removed, Not Included in O/H			
34 Bushing, Mtg (f) (2/Side)	R/L MJA3715AB2	m	16.70
(f) Included w/Axle Strut Assy			
35 Nut, Spring	R/L JZM100015	m	5.25
36 Bolt, Mtg	R/L FB112131	m	2.35
37 Absorber Assy, Shock	w/Adaptive Damping Cont Susp w/Perf Pkg	m #1.6	d227.50
	97-02 R/L MXD3540AA	m #1.6	411.00
	03-05 R/L MXD3540AB	m #1.6	350.00
	97-02 R/L MJB3540EB	m #1.6	346.00
	03-05 R/L MJB3540EC	m #1.6	233.30
	w/o Adaptive Damping Cont Susp	m #1.6	82.40
38 Bushing, Lower Shock (g)	R/L CCC006782	m #1.6	82.40
(g) Included w/Shock Absorber Assy			
39 Bolt, Lower Shock	R/L JZB100036	m #1.6	6.65
40 Seat, Lower Spring	R/L CCC007350	m #1.6	4.05
#R&R One Side Complete, includes R&R Coil Spring, w/Hub Carrier (Knuckle) Removed Deduct .5			
41 Spring Assy, Coil (h)	JLM012342	m #	296.00
1997-99			
2000-05	w/Adaptive Damping Cont Susp Coupe	m #	0.00
	w/Perf Pkg	m #	252.00
	w/o Perf Pkg	m #	207.50
	Conv	m #	296.00
	w/o Adaptive Damping Cont Susp	m #	296.00
(h) Set of 2			
#See Headnotes for Labor Time			
42 Spacer, Upper Spring (i)	R/L MNA3562BA	m #1.6	6.65
43 Spacer, Lower Spring (j)	R/L MNA3562AA	m #1.6	3.60
(i) Included w/Coil Spring Assy			
44 Collar, Upper Seat	R/L MMD3563AA	m #1.6	29.85
45 Isolator, Upper	R/L MMD3565AA	m #1.6	28.40
46 Plate, Upper Mount	97 R/L MMD3470AA 98-05 R/L MNC3470AA	m #1.6 m #1.6	37.30 25.85
#R&R One Side Complete, Included in R&R Shock Absorber Assy, Includes R&R Coil Spring, w/Hub Carrier Knuckle Removed Deduct .5			

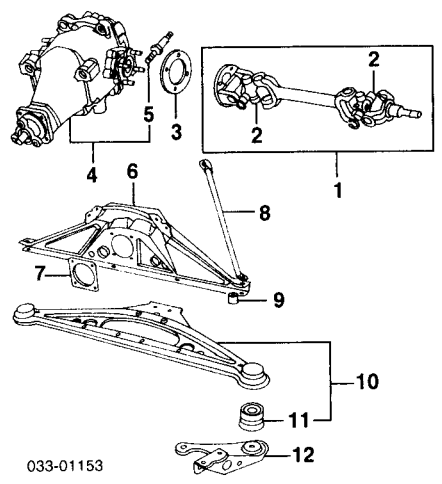


033-01244

47 Bar, Stabilizer	MJA3500DF	m #1.2	236.40
1997-99			
2000-05	MNA3500DA	m #1.2	251.00
w/Perf Pkg	MJA3500DF	m #1.2	236.40
w/o Perf Pkg	R/L MNA3505AE	m #1.2	91.95
48 Link, Stabilizer	R/L MNA3504AB	m	3.60
49 Bushing, Link (2/Side)	R/L WC110061J	m #1.2	.30
50 Washer, Link	R/L NY110041	m #1.2	.65
51 Nut, Link			
52 Bushing, Bar	R/L MJA3502DD	m #1.2	7.10
1997-99			
2000-05	R/L CBC004901	m #1.2	4.50
w/Perf Pkg	R/L MJA3502DD	m #1.2	7.10
w/o Perf Pkg	R/L MNA3501AA	m #1.2	29.65
53 Clamp, Bushing			
#R&R Complete, Not Included in O/H			

REAR DRIVE AXLE

R&I Axle Shaft Assy	R/Lm #3		
#w/Necessary Suspension Components Removed			
<i>Illustration Located in Next Column</i>			
1 Shaft Assy, Axle	97-99 R/L CBC002268 00-05 R/L MNE3240AB	m #3 m #3	1120.00 1080.00
#w/Necessary Suspension Components Removed			
2 U-Joint, Shaft (2/Side)	R/L JLM001388	m #8	167.90
1997-99			
2000-05-Serviced w/Axle Shaft Assy			
#Included w/Axle Shaft Assy			
#w/Axle Shaft Assy Removed			
3 Spacer, Axle (a) (b)	CBC00480635	m	6.50
(b) As Required			

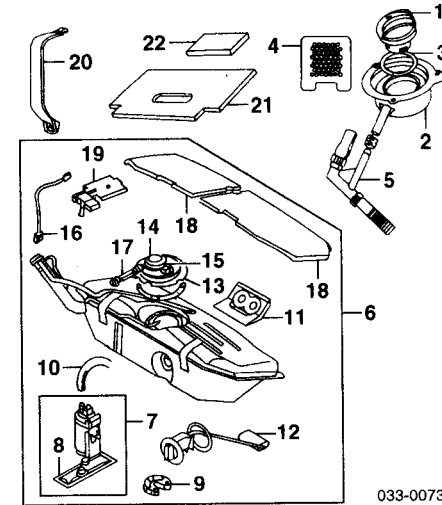


4 Differential Assy (a)	C2N002582	m #3.7	1550.00	
(a) Order by Application				
#Includes R&R Axle Shaft Assemblies, Sub-Frame & Upper Mtg Bracket				
5 Stud, Mounting (c)	R/L JLM020322	m	27.00	
1997				
1998	To VIN 028541 From VIN 028542	R/L JLM020322 R/L NNC5715AA	m m	27.00 47.65
	1999-05	R/L NNC5715AA	m	47.65
(c) Included w/Differential Assy				
6 Bracket, Upper Mtg	97-02 MJA2622AA 03-05 C2N001407	m #2.5 m #2.5	37.35 38.25	
	CAC008226	m #2.5	3.60	
7 Plate, Support	R MNC2830AA	m #2.5	41.15	
8 Link, Upper	L MNC2631AA	m #2.5	41.15	
	L MNC2631AA	m #2.5	15.55	
9 Spacer, Outer	R/L CAC009330	m #2.5	371.00	
10 Sub-Frame Assy, Rear	97-02 C2N001017 03-05 C2N001017	m #2.5 m #2.5	371.00 371.00	
#R&R Complete w/Necessary Bolted Parts Removed, Not Included in O/H				
11 Bushing, Mtg (d)	R/L MJA2595AC	m	42.65	
(d) Included w/Rear Sub-Frame Assy				
12 Bracket, Mounting	R MJA3700BA L MJA3701BA	m m	30.55 24.75	
Coupe	R MJA3700AA	m	24.75	
Conv	L MJA3701AA	m	30.55	

FUEL TANK

R&I Fuel Tank			
Coupe			2.0
Conv			2.2

NOTE: R&R/R Does Not include drain and refill.



1 Cap, Fuel Filler	97-00 NJD5942BB		23.35
	01-03 NNG5942AG		20.50
	04-05 NJD5942AF		21.35
2 Seal, Filler	97-00 HJE3107AD		27.85
	01-03 HJE3107AC		31.85
	04-05 HJE3107AD		27.85
3 Spring	HNA3106AA		2.00
4 Filter, Filler Drain	HJA3099AA		4.05
5 Tube, Filler Drain	HJA3098AD		11.10
6 Tank Assy, Fuel			

JAGUAR XK8/XKR 1997-05

REAR BODY Cont'd

INTERIOR TRIM Cont'd

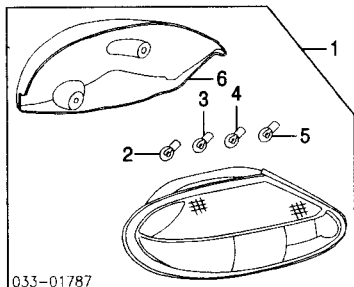
Coupe	97-01	GJA3613AL	.4	110.75
	02-05	GJE3613AC	.4	106.00
Conv		GJE3613AC	.4	106.00
9 Cover, Battery (b)	97-98	GJA3620AG	.3	109.70
	99-05	GJC3620AB	.3	115.75
10 Carpet, Trunk Floor (b)	97-98	GJA3618AH	.2	179.25
w/Space Saver Wheel	99-05	GJC3618AD	.2	119.75
w/o Space Saver Wheel	97-98	GJA3618BG	.2	165.85
	99-05	GJC3618BA	.2	99.95
11 Panel, Front Carpet (b)	97-98	GJA3610AL	.3	93.25
Coupe	99-02	GJC3610AC	.3	227.15
	03-05	C2N002736	.3	112.30
Conv	97-98	GJC3610BB	.3	90.40
	99-02	GJC3610BB	.3	90.40
	03-05	C2N003401	.3	90.25
12 Support, Trunk Floor (b) (4)	97-02	GJA3622AC		2.60
	03-05	GJA3622AD		2.60

(b) Order by Application

REAR LAMPS

COMBINATION LAMP

R&L Combination Lamp Assy R/L .5

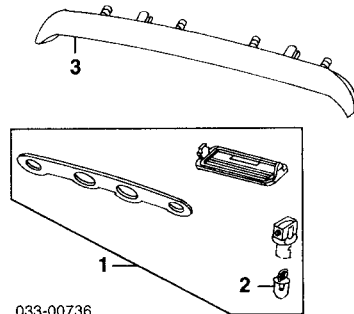


033-01787

1 Lamp Assy, Combination	97-00 R	LJA4900BD	.5	143.70
	L	LJA4901BD	.5	143.70
	01-05 R	LJE4900AB	.5	130.05
	L	LJE4901AB	.5	130.05
2 Bulb, Tail/Stop¶	R/L	LNA5180BA	#.3	5.95
3 Bulb, Signal¶	R/L	C2S015076	#.3	10.00
4 Bulb, Back-Up¶	R/L	DBC011382	#.3	d2.25
5 Bulb, Fog¶	R/L	DBC011382	#.3	d2.25
#R&R One Side Complete				
6 Cover, Lamp¶	R	GJE3668AB	23.75	
	L	GJE3669AB	23.75	

¶Included w/Combination Lamp Assy

LICENSE LAMP



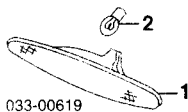
033-00736

1 Lamp Assy, License	JLM020287	.4	33.35
2 Bulb, License Lamp¶	C2S015074	.3	.70

¶Included w/License Lamp Assy
3 Cover, License Lamp-See Luggage Lid Section

SIDE MARKER LAMP

R&L Side Marker Lamp R/L #.3
#Included in R&R or O/H Rear Bumper

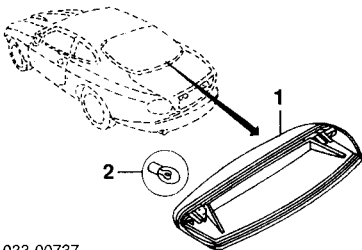


033-00619

1 Lamp, Side Marker	R/L	LJA5034BC	#.3	17.30
2 Bulb, Side Marker	R/L	C2S015074	#.3	.70

#R&R One Side Complete, Included in R&R or O/H Rear Bumper

HIGH MOUNT STOP LAMP COUPE



033-00737

1 Lamp, Stop¶ (a)	LJB5000ACLEG	.4	180.80
To VIN A35139	LJB5000ACLEG	.4	180.80
From VIN A35140			

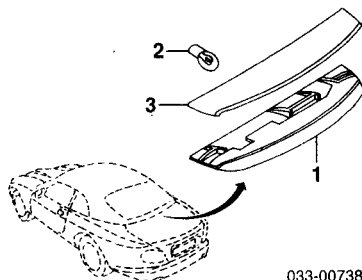
¶Charcoal listed, Order by Application

(a) Mounted on Package Tray

2 Bulb, Stop Lamp (2)	C2S015074	.70	
-----------------------	-----------	-----	--

HIGH MOUNT STOP LAMP CONV

Refinish Lamp Cover5



033-00738

1 Lamp, Stop¶	LJA5001AC	#.4	140.85
1997	LJB5001AD	#.4	166.35
To VIN 014328	LJB5001AD	#.4	166.35
From VIN 014329	LJB5001AE	#.4	158.10
1998-03			
2004-05			
¶Mounted on Luggage Lid			
2 Bulb, Stop Lamp (2)	C2S015074	#.4	.70
3 Cover, Lamp (P)	LJA5003ABXXX	#.4	77.25

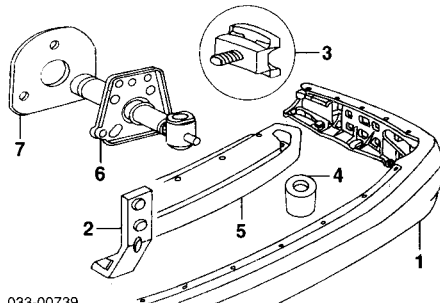
(P) Paint to Match
#R&R Complete

REAR BUMPER

Use Procedure Explanations 27 and 28 with the following text.

Refinish Rear Cover	2.0
R&L Rear Bumper Assy	1.0
O/H Rear Bumper Assy (Includes R&L)	#2.2
#Includes R&L/R&R Side Marker Lamps	
Add to R&R or O/H Rear Cover	
w/Reverse Parking Sensor3

NOTE: All Parts in this section are included in overhaul unless noted otherwise.



033-00739

1 Cover, Rear (P)	HJA6586BBXXX	#2.0	1020.00
1997-00			
2001-03			
w/Reverse Parking Sensor	HJE6586BBXXX	#2.0	1010.00
w/o Reverse Parking Sensor	HJE6586ACXXX	#2.0	960.00
2004-05			
w/Reverse Parking Sensor	C2N003335XXX	#2.0	1090.00
w/o Reverse Parking Sensor	C2N003334XXX	#2.0	1090.00
(P) Paint to Match			
#Includes R&L/R&R Side Marker Lamps			
2 Strap, Cover Support	R/L HJA6569AA		27.65

3 Guide, Bumper	R/L HJA6554AB	#.1	6.55
#w/Bumper Assy Removed, Not Included in O/H			
4 Spacer, Reinft Bar (4)	HJA6544AA		3.60
5 Bar, Reinft	HJA6580BA	10H	445.00
6 Absorber, Impact	R/L HJE6560AA	#.3	357.00
#w/Bumper Assy Removed, Not Included in O/H			
7 Gskt, Bumper Mtg	R/L HJA6566AB		3.60
Sensor Kit, Parking Aid¶	LJE7354AA		374.00

¶Order by Application