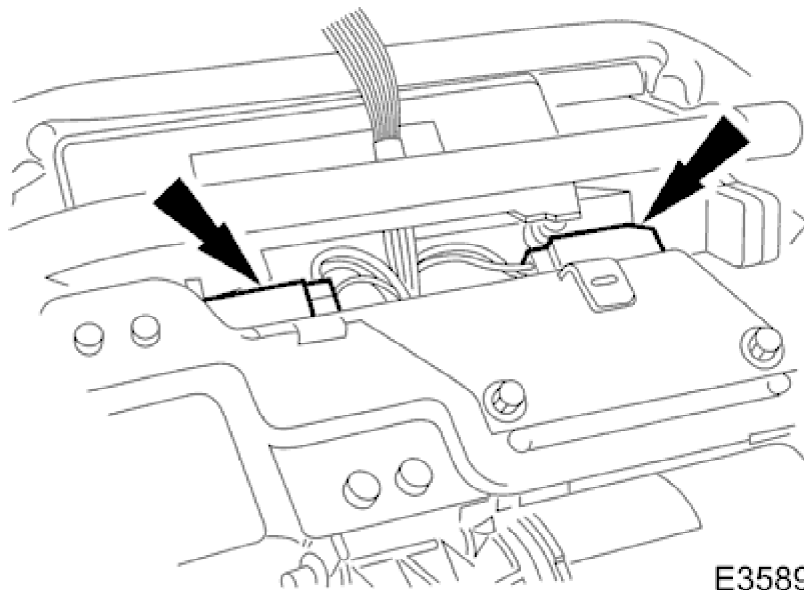


Seat Control Switch 86.75.23

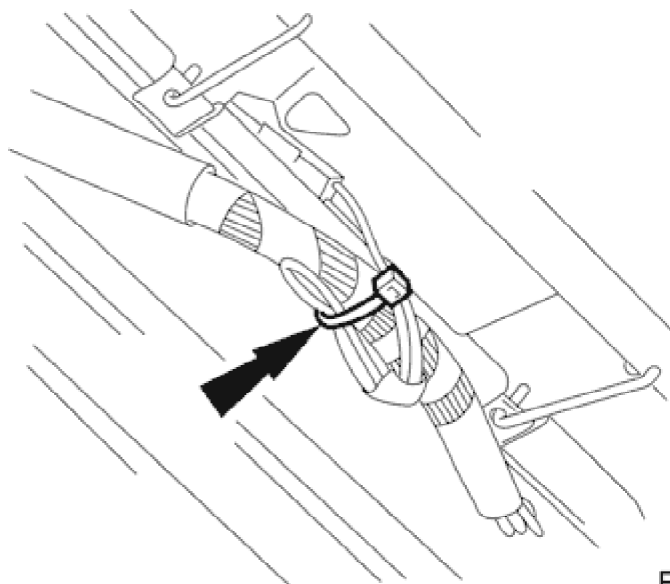
Removal

1. Power seat to fully raised position.
2. Remove battery cover and disconnect ground cable from battery terminal. Refer to <<86.15.19>>.
3. Remove front seat from vehicle and place on clean work surface. Refer to 76.70.01.90.



E35899

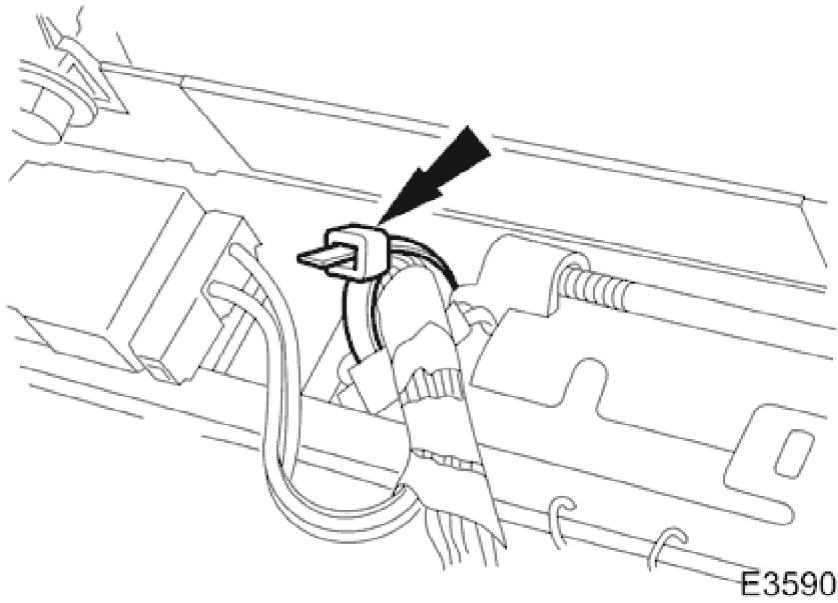
4. Release seat harness multiplugs from mounting bracket and disconnect multiplugs.



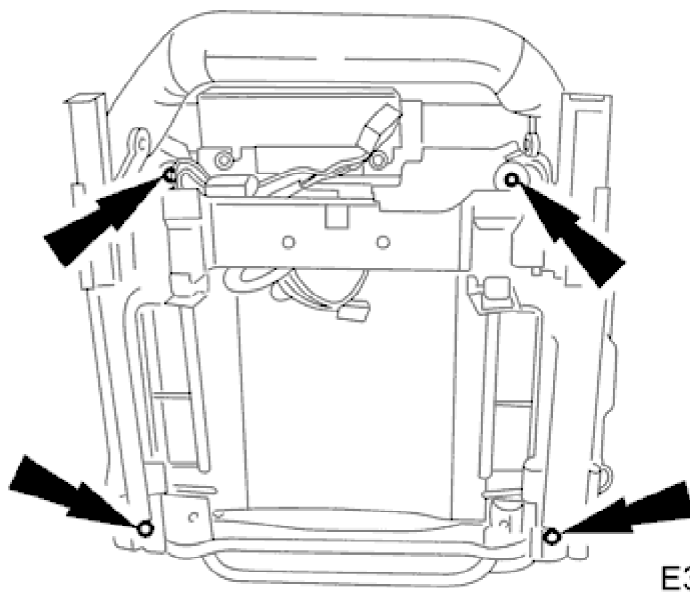
E35900

2000 XK RANGE - Seating - 501-10

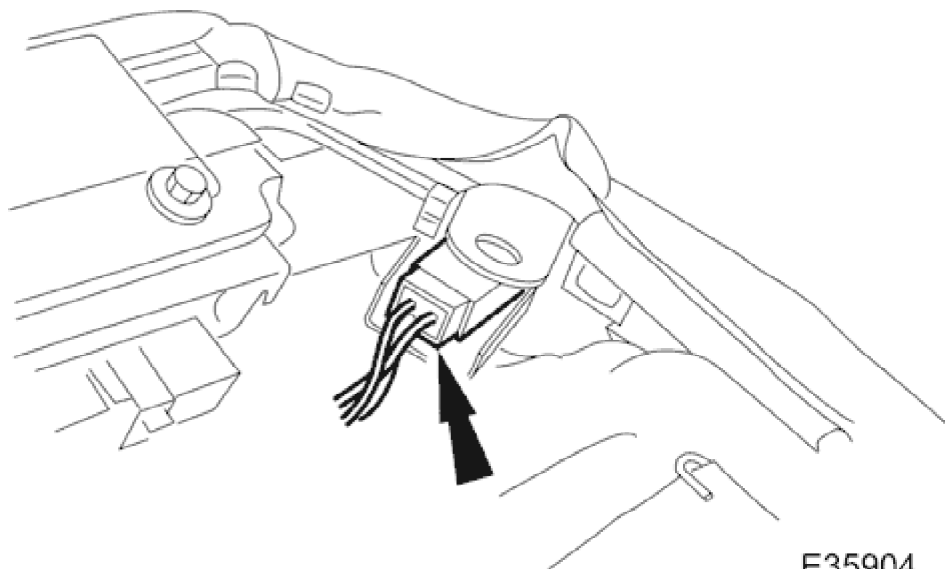
5. Sever and discard tiestraps securing seat harness to seat frame.



6. Sever and discard tiestraps securing seat harness to motor assembly.

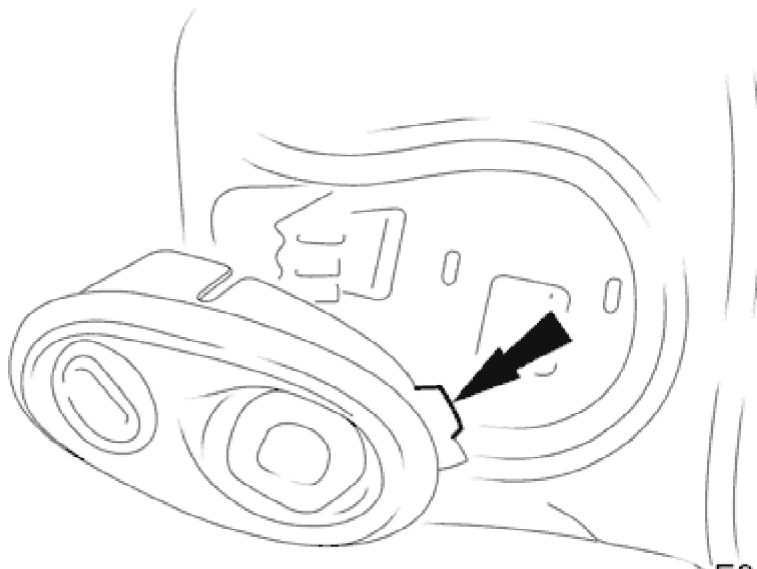


7. Remove bolts securing seat slide assembly to seat frame and withdraw slide assembly.



E35904

8. Disconnect switchpack harness multiplug.



E35905

9. Positioning cushion foam for access, use a screwdriver to release switchpack securing tab.

Installation

1. Fit and fully seat switchpack in seat.
2. Positioning cushion foam for access, connect harness multiplug to switchpack.
3. Position slide assembly on seat frame and install securing bolts.

2000 XK RANGE - Seating - 501-10

4. Connect seat harness multiplugs.
5. Install harness multiplug onto mounting bracket.
6. Using new tiestraps, secure harness to seat frame and motor.
7. Install seat assembly in vehicle. Refer to 76.70.01.90.