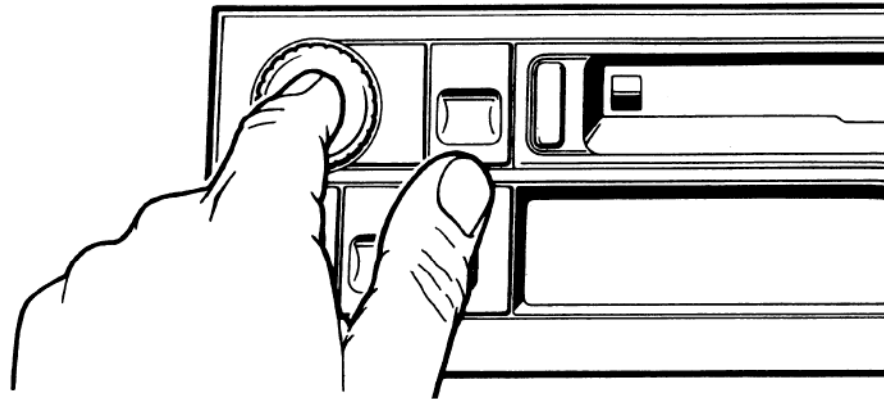


SOUND SYSTEM



SOUND SYSTEM

	CONTENTS	PAGE
1	Radio Cassette	3
2	Compact Disc (CD) Player	17
3	Integrated Phone (Option)	23
4	System Care	27
5	Index	29

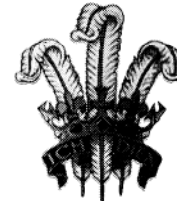
FOREWORD



BY APPOINTMENT TO
HER MAJESTY QUEEN ELIZABETH II
MANUFACTURERS OF DAIMLER AND JAGUAR CARS
JAGUAR CARS LIMITED COVENTRY



BY APPOINTMENT TO
HER MAJESTY QUEEN ELIZABETH
THE QUEEN MOTHER
MANUFACTURERS OF DAIMLER AND JAGUAR CARS
JAGUAR CARS LIMITED COVENTRY



BY APPOINTMENT TO
HIS ROYAL HIGHNESS THE PRINCE OF WALES
MANUFACTURERS OF DAIMLER AND JAGUAR CARS
JAGUAR CARS LIMITED COVENTRY

JAGUAR CARS LIMITED make every effort to ensure the accuracy of the particulars contained in this Sound System Handbook, neither the Manufacturer nor the Dealer, by whom this Handbook is supplied, shall in any circumstances be held liable for any inaccuracy or the consequences thereof.

All rights reserved. No part of this publication may be reproduced, stored in a retrieval system or transmitted, in any form, electronic, mechanical, photocopying, recording or other means without prior written permission from the Service Division of Jaguar Cars Limited.

The Manufacturer reserves the right to vary its specifications with or without notice, and at such times and in such manner as it thinks fit. Major as well as minor changes may be involved in accordance with the Manufacturer's policy of constant product improvement.

The information contained herein applies to a range of vehicles and not to a specific vehicle. For the specification of a particular vehicle owners should consult their Jaguar Dealer.

RADIO CASSETTE

1

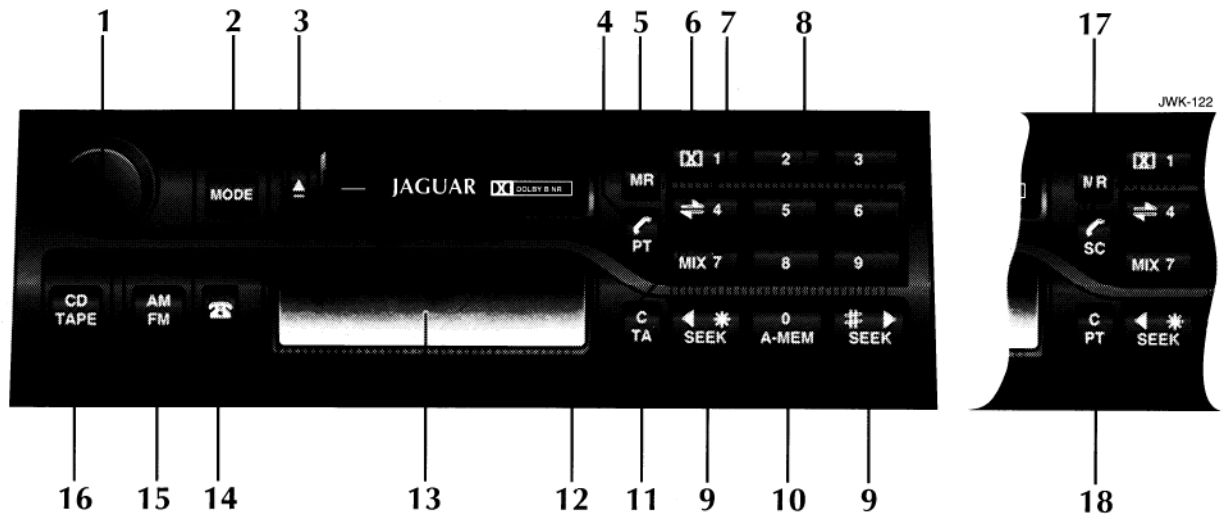
This section shows how the radio and the cassette player is operated.

Contents

Radio Cassette Controls	4
Aerial Operation	5
Radio Cassette	6
Steering Wheel Sound System Buttons	7
Radio Operation	7
Radio Set Up Modes	13
Cassette Tape Operation	14

RADIO CASSETTE

Radio Cassette Player Controls



RADIO CASSETTE

Key to illustration on page 4.

1. ON/OFF switch and volume control.
2. Mode button.
3. Cassette tape eject button.
4. Programme type (PT) and phone send and end button (United Kingdom and Europe).
5. Phone memory recall button.
6. Dolby B noise reduction (cassette operation) and preset and phone key pad 1.
7. Programme change button (cassette operation) and preset and phone key pad 4.
8. Preset buttons and phone key pad.
9. Radio tuning controls, cassette tape forward and rewind controls, CD player forward and reverse controls and seek function for all modes.
10. Auto memory (A-MEM) and phone key pad 0.
11. Traffic Information and Radio Data System (TA) and phone clear button (United Kingdom and Europe).
12. CD Mix (where fitted) and preset and phone key pad 7.
13. Display
14. Phone mode button.
15. AM/FM band button.
16. Cassette tape and CD player button (where fitted).

17. Scan and phone send and end button (All markets except United Kingdom and Europe).

18. PT (Programme type) and phone clear button (All markets except United Kingdom and Europe).

Aerial Operation

The aerial automatically rises when the radio is switched on and the ignition switch is in position I or II. The aerial will lower when the radio is switched off.

Note: The aerial will always be raised regardless of being in tape or CD modes, to enable RDS information to be received on the FM waveband.

Caution: Do not attempt to raise the aerial manually.

It is important to clean the radio aerial periodically to maintain smooth operation and good reception.

If your vehicle is fitted with a cellular telephone, you are advised to take the following precautions in areas where there is restricted overhead clearance such as an automatic car wash.

1. Switch the radio cassette and ignition OFF.

or

2. Switch the radio cassette and cellular telephone OFF

RADIO CASSETTE

Radio Cassette Player

Security Code Number (United Kingdom and Europe)

This unit is protected by an anti-theft security code. If power to the radio drops to 5 volts or less, (dead battery), or there is a power interruption/disconnection, after a short while the radio display will indicate 'CODE'. At this point the radio will not operate until you have re-entered the correct security code.

The four-digit code for your radio is listed on the two radio security cards supplied with the vehicle. Enter the code by using the pre-set buttons 1 to 9 and a 'beep sound' occurs. If the code is not properly entered, then begin the code entry again, starting with the first digit. If the code is not properly entered after three successive attempts, the radio will not accept any entry until it has been left on for one hour, the radio display will show the word 'WAIT'. After one hour in the 'ON' position the radio will accept three further entries.

Note: Should you lose your radio security cards, contact your Jaguar Dealer, who, for security reasons will require proof of vehicle ownership.

ON/OFF and Volume Control

Press the knob to switch on the radio cassette and light up the display. Press the knob again to switch off. Turn the ON/OFF switch clockwise to increase volume and anti-clockwise to decrease volume.

Automatic Volume Control (AVC)

This is a feature which raises the volume of the radio to overcome road noise as the vehicle's speed increases. To switch AVC on or off, press the volume knob for more than two seconds. The current state will be displayed ie, 'AVC ON'/'AVC OFF'. To toggle ON/OFF momentarily, press the volume control knob again to change the state. The 'AVC' level can be adjusted from 1 to 5 by turning the volume knob while in 'AVC ON' mode. After five seconds of no action, the radio will return to normal radio mode.

When AVC is ON it is possible to override the automatic mode by adjusting the volume manually.

FM and AM Reception

FM reception has the advantages of low noise, minimal distortion, wide dynamic range, extended frequency response, and is usually broadcast in stereo. However, as FM frequency waves are relatively short and travel in a straight line, they can sometimes be impeded by obstructions, which may interrupt good reception in some parts of the country.

Whilst FM reception will generally provide better quality sound, AM reception or Medium Waveband (MW) and Long Waveband (LW) (United Kingdom and Europe) may be better in remote areas not covered by the shorter range FM transmitters.

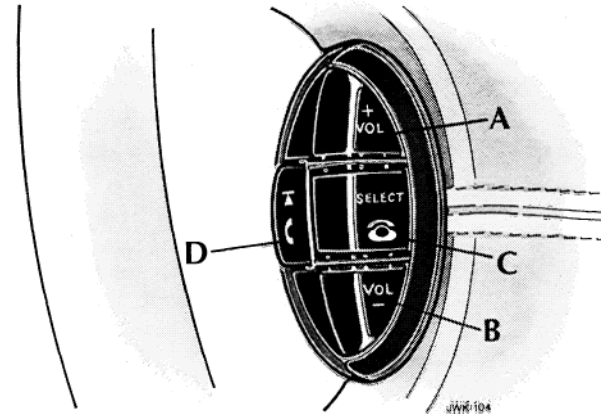
When experiencing poor FM reception, background noise can be reduced by adjusting the Mode button into Treble adjustment position and reducing the treble setting.

RADIO CASSETTE

Steering Wheel Sound System Buttons (Where fitted)

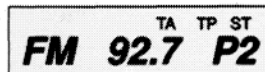
Four Sound System control buttons are situated on the left-hand side of the steering wheel. These buttons override the functions of the similar buttons on the radio control panel.

- 'A' Press to increase volume.
- 'B' Press to decrease volume.
- 'C' Press and release to cycle through Radio FM, AM, Cassette or CD's.
Press and hold to enter phone mode.
- 'D' Press and release to seek to next preset radio station, or to next track on tape and CD.
Press and hold to cycle to the next radio station, or to the next CD, or to change side of tape.



Radio Operation

Examples of Radio Display Indication



- TP** Traffic Programme (Europe, United Kingdom and USA).
- TA** Traffic announcement selected.
- ST** Stereo.

Mode Button

MODE

This controls the function of bass, treble, left to right balance and front to rear fade. To cycle through these functions, press the mode button repeatedly, the relevant mode will appear on the display. Once the required function has been selected turn the volume control to adjust sound quality. After about five seconds the radio will return to normal volume control mode.

Source Tone Memory

Bass and treble positions are automatically memorised for radio, cassette tape and CD allowing individual settings for each mode.

RADIO CASSETTE

Preset Buttons



WARNING:

Do not conduct the preset procedure while driving. Programme the nine presets before starting a journey.



In each waveband, nine stations can be memorised in the bank of preset buttons marked 1 to 9. After tuning to a station, hold the chosen preset button for at least two seconds. The unit will 'beep' to indicate that the station has been stored. The station can be recalled from this preset memory by pressing the button momentarily, for less than two seconds. The steering wheel preset selection button when pressed will cycle through the nine preset stations (see page 7).

Tuning Control



This control has two functions, seek and manual tuning. Momentarily pressing either button will activate the radio in the seek mode, making the tuner search up or down the frequency range for the next available station.

Push and hold either button to tune the radio manually, the display counts up or down to the frequency required. Incremental adjustment can be made by momentarily pressing the buttons until the required frequency is reached (After a short period this will return to seek tuning if you momentarily press the button).

Band Switch AM/FM



Band selection will be shown in the display panel. Pressing the band switch repeatedly will cycle the radio through FM, AM, Medium and Long Wavebands (where applicable). When a cassette tape or CD is being played, pressing the Band Switch selects radio operation.

Scan (All markets except United Kingdom and Europe)



Press the button and release, the radio will search up the waveband for the next 'strong' station. After listening to this station for 20 seconds, the radio will continue searching and pausing as it scans the waveband.

To cancel: Press the button again, or press any other button.

Auto Memory (A-MEM)



The automatic memory function, programmes the nine strongest stations on the selected waveband into presets 1 to 9.

To activate this function, hold the button marked 'A-MEM' for at least two seconds. There will be a brief silence while the radio searches the waveband for the nine strongest stations. The unit will then 'beep' to indicate that programming is complete. It will then select preset number '1', and turn the sound back on. If no station is found, the display will show 'NO FM' or 'NO AM'.

To switch between the A-MEM preset stations and your own presets, press the button for less than two seconds.

RADIO CASSETTE

Auto Memory (A-MEM) with Radio Data System (RDS) Selected (United Kingdom, Europe, USA and Canada)



When RDS is selected and the A-MEM function operated, the radio sound will go off, while the radio searches for the nine strongest RDS stations. Similarly, if A-MEM is used with Traffic Announcement (TA) activated, the radio will only programme the nine strongest RDS stations carrying traffic information. If nine stations are not available, the display will show 'NO FM'.

Note: When used correctly, RDS and TP are very effective additional features in the radio's capabilities. However, if these facilities are used without full understanding, they may cause a situation confusing to the operator. This is less likely to occur as more RDS stations become available.

RDS (Radio Data System) and TA (Traffic Announcements) (United Kingdom, Europe, USA and Canada)

RDS The Jaguar radio is equipped with an advanced Radio Data System decoder (RDS) to assist finding and staying tuned to a chosen radio station. The radio picks up inaudible signals transmitted on the FM waveband which permit automatic programme tuning, display of the station's identity, up-to-the-minute traffic announcements (TA), programme type (PT) and priority programme type (P.PT).

Some elements of this broadcast information system are transmitted on the FM waveband in most European countries, USA and Canada.

The Jaguar Radio RDS facility provides the following functions:

- * Station name display.
- * Automatic re-tuning to follow network stations.
- * Local radio station's Traffic Announcements.
- * Station/Programme type display and search.
- * Priority programme type automatic retuning.

RDS Station Name Display – When RDS is selected the station name is displayed in eight characters as well as the frequency. The display also identifies network 'splits', where different programmes are being broadcast on FM, Medium Wave or Long Wave.

RDS Automatic Tuning – RDS provides fully-automatic radio tuning for network stations. It tunes to a signal not a frequency. The RDS will search out the strongest signal available for a given station and automatically switches frequency as necessary.

RDS Programme Type Display – RDS provides information as to the type of material broadcast by the station or programme that is on, i.e. News, Classical, Rock, etc. Apart from being able to display this, the radio can search for one specific programme type that is selected.

RDS Priority Programme Type (United Kingdom and Europe only) – Similar to traffic announcement this can be selected to interrupt and switch to the selected programme type, for its duration, i.e. 'NEWS'.

Continued

RADIO CASSETTE

RDS (Radio Data System) and TA (Traffic Announcements) (Continued)

RDS Traffic Information (United Kingdom and Europe only) –

Although there is a wide range of travel information available from National and Local Radio, a driver only requires information relevant to the vehicle's current locality. RDS provides this information, automatically. As soon as the authorities learn of a traffic problem, they inform the nearest local radio station. The traffic news is then broadcast by the transmitters in the relevant area. The TA will interrupt radio, cassette tape or CD play, on all equipment with the RDS feature, provided Traffic Announcement has been selected. If the volume control is set at minimum it will automatically increase to an audible level for the duration of the traffic news-flash.

When the news-flash is over, the system switches back to the driver's original listening choice and volume setting.

RDS and TA Operation (TA button for United Kingdom and Europe; PT button for USA and Canada)



To activate RDS, press the TA button and hold for at least two seconds, the display will indicate 'RDS ON' or 'RDS OFF' as appropriate. The radio then gathers RDS information and displays the Programme Service name as well as the frequency, provided the programme chosen is an RDS station.

If it is not the radio will remain on station, the display will show the frequency and the 'RDS' will remain on in readiness for a signal.

When listening to a National Network Station, or a station that broadcasts on more than one frequency, the radio will automatically re-tune to the strongest available signal. This 'network following' facility will continue throughout the journey. (The unselected presets will also receive updated frequency information, if appropriate)

When 'RDS' data is lost and no 'AF' (Alternative frequency) signal is available, the radio will stay on station, the display will show the frequency only and 'RDS' will remain on in readiness for the signal to recover.

If the 'RDS' function does not respond correctly, refer to the 'RDS Trouble-Shooting Guide' on page 12.

TA – Traffic Announcement (United Kingdom and Europe only) –

Press the 'TA' button momentarily, (for less than two seconds), 'TA' will be shown at the top of the display. The radio then checks that the station has RDS TP (Traffic Programme); indicated by 'TP' at the top of the display. If the current station has no TP available the display will show 'TP SEEK' while it searches for a station that does have TP. The radio will then provide 'Traffic Announcements' whenever they are transmitted. When received, the display will show 'TRAFFIC INFO'. The announcement will interrupt radio, tape or CD play, even if the volume control is set at minimum. The volume will be increased for the announcement, returning to normal setting afterwards.

RADIO CASSETTE

Switching Off RDS and TA Functions

To switch off the TA function only: Press the 'TA' button momentarily (for less than two seconds); a 'beep' will be heard and the 'TA' indicator will go out.

To switch off RDS and TA functions: Press the 'TA' button and hold for at least two seconds, the display will show 'RDS OFF' and the display will return to frequency only.

TA – Preset Minimum Volume (United Kingdom and Europe only) – When the radio is set to minimum volume and a traffic announcement occurs, the volume is raised to a preset level. This level is adjustable by pressing and holding the 'MODE' button for more than two seconds. The volume level is adjusted between 1 (min) to 6 (max) by turning the volume control knob.

PT – Programme Type



This has two functions:–

To display current station programme type and to select a programme type and retune to it.

Momentarily press the 'PT' button to display the current station programme type. If a different programme type is preferred use the tuning up and down buttons to cycle through the available programme types, press the 'PT' button again to activate a search for the selected programme type. If there is a station with the correct PT then the radio will retune to it. If there is not, the radio will indicate 'NO PTY' and return to the current station.

Priority Programme Type (United Kingdom and Europe only)
– Works in two ways as a interrupt, or as a 'PTY Following'.

Press and hold the 'PT' button to display the default priority programme type 'NEWS'. If a different programme type is preferred use the tuning up and down buttons to cycle through the available programme types.

Press and hold the 'PT' button again to activate the selected priority programme type, 'PTY' will be shown in the top of the display to indicate that it is active. The radio will now wait for RDS information to indicate that a station has changed its programme type, i.e. to 'NEWS'. The radio will now retune to the new station for the duration that it remains on that programme type.

If the current station is already on the selected priority programme type, then when this station is lost, the radio will attempt to find another with the correct programme type.

To cancel priority programme type, press and hold the 'PT' button, the 'PTY' indicator on the display will be cleared.

TA and Priority PTY Interrupt Skip (United Kingdom and Europe only) – If during a radio interrupt for a 'Traffic Announcement', 'NEWS' or other selected priority PTY, this can be skipped and return to the previous radio station by pressing either 'PT or TA' during the interrupt (Note this will not cancel the activation of this feature, and it will remain ready for the next interrupt).

Note: PTY and Priority PTY features are reliant upon the broadcast information from radio stations, and may be much better in some areas than others.

Phone Mode



Pressing this button selects phone mode (where fitted).

RADIO CASSETTE

RDS Trouble-Shooting Guide

Incorrect response from RDS	Reason and rectification
Radio does not display programme name.	Check that RDS is turned on by pressing the TA button and holding for more than two seconds. The display will confirm 'RDS ON' or 'RDS OFF'. If radio does not display programme service name, it is not broadcasting RDS data, or you are in a poor reception area. Try re-tuning to another station with RDS.
Station name is lost and displays frequency only.	Radio has lost reception of the RDS data due to vehicle moving out of transmitter range, or loss of signal owing to being in a tunnel, under a garage forecourt canopy or some similar shielding. If the latter is the case, wait until the vehicle is clear of the shielding. There is a short delay before the station name returns.
Upon operating the A-MEM, most or all of the presets display 'NO FM' when pressed.	The radio cannot find nine FM, RDS FM or TP stations dependent upon the mode selected. If this occurs, switch off RDS or TA function and reselect A-MEM.
Upon pressing the TA button the radio re-tunes to another station and displays 'TP SEEK'.	The station selected does not have TP/TA facility, the radio will re-tune to one that does.
Radio sound goes off and the display shows 'PI SEEK'.	The RDS radio station selected is unable to confirm that the frequency tuned to has the correct RDS data – programme identification (PI). It will then seek for a frequency that has the correct data.
Radio 'beeps' and the display shows 'NO TP/TA' and turns off 'TA'.	The RDS TP radio station selected is unable to receive Traffic Programmes, either owing to moving out of the transmitter's range, or loss of signal owing to being in a tunnel, under a garage forecourt canopy, or similar shielding. If required, re-tune the radio to another station or continue to listen to the station with RDS TA OFF.

RADIO CASSETTE

Radio Set Up Modes

This function allows the radio to be set up to suit the users operating preferences. By moving into 'Set Up' mode and using the Preset buttons, the owner or Jaguar Dealer can choose whether certain radio facilities are active or switched off.

When in 'Set Up' mode, pressing the relevant Preset button, as detailed below, will show on the display the facility that has been selected and its state. The selected facility can be changed to the user's preference by pressing the Preset button again.

To enter the 'Set Up' mode: Press the 'Tape Eject' and the 'AM/FM' buttons simultaneously. The display will show 'SET UP'. The following 'Set Up' modes can then be selected and changed, in any order, as long as no more than 15 seconds elapses between Presets. After 15 seconds the display will clear. If further mode changes are needed, the 'Set Up' mode must be re-entered.

- Preset 1** For all markets, Press Preset 1 to select the market mode to suit the users country.
- Preset 2** This preset controls the 'Tape Clean' reminder facility. To switch off this reminder, press the Preset 2 button until 'TAPE CLN OFF' shows on the display.
- Preset 3** This preset controls the 'Aerial Clean' reminder facility. To switch off this reminder, press the Preset 3 button until 'AER CLN OFF' shows on the display.

- Preset 4** This preset controls the telephone 'Mute' facility. If a Jaguar telephone is installed, turn the telephone 'Mute' on by pressing the Preset 4 button until 'TEL ON' shows on the display.
- Preset 5** 'KEY OFF EJECT' – Sets the cassette tape to automatically eject when the ignition key is turned OFF.
- Preset 6** 'FM VOLUME HI/LOW' (United Kingdom and Europe only) – Used to adjust audio levels when switching from Radio, Tape or CD.
- Preset 7** 'DIVERSITY OFF' – Used when Diversity Aerial System is connected to the radio.
- Preset 8** 'AF ON/OFF' – Used when specific RDS problems occur, that may be helped.
- Preset 9** Blank.

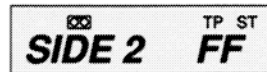
RADIO CASSETTE

Cassette Tape Operation

At all times the display will indicate which function has been selected by using a simple word, figure or abbreviation – for example, SIDE 1 or SIDE 2, or Fast Forward, etc.

Insert a cassette into the aperture and it will start to play immediately. After playing one side of the cassette, it will auto-reverse and play the other side. If a Metal or Chrome, rather than a Ferric tape is used, the equalisation will be automatically adjusted.

Examples of Cassette Tape Play Display Information



SEEK UP	Search to beginning of next track.
SEEK DOWN	Search to beginning of track being played.
REWIND	Rewind.
FAST FORWARD	Fast forward.
TAPE LOADING	Loading a tape into the mechanism.
TAPE EJECT	Ejecting a tape.
TAPE CLEAN	Tape mechanism requires cleaning.

Eject Button and Tape-in Indicator



Press to eject the cassette.

When a cassette is inserted into the player, the aperture door closes and an indicator is shown on the display.

Tape Button



If you are playing radio or compact disc (where fitted), pressing this button will play any cassette that is in the player. This function is also controlled by the appropriate button on the steering wheel (see page 7).

Band Switch (AM/FM)



Pressing this button selects radio operation.

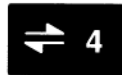
Dolby B



If you are using a cassette with a 'Dolby' recording, to select the noise reduction system, press the Dolby on/off button. An indicator is shown on the display.

Dolby noise reduction system is manufactured under license from Dolby Laboratories Licensing Corporation. 'Dolby' and the double-D symbol are trade-marks of Dolby Licensing Corporation.

Programme Change Button



While playing a cassette, press this button to change to the other side of the tape. This function is also controlled by a button on the steering wheel – Press and hold (see item 'C' on page 7).

RADIO CASSETTE

Forward, Rewind Control



This control has two functions, seek to track and fast wind in each direction. Momentarily pressing the button will activate tape search to the beginning of the next track. The first press down will activate tape search to the beginning of the current track being played.

Pushing and holding either button for two seconds will activate continuous fast forward or rewind of the cassette. This can be cancelled by pressing the control in either direction.

Priority Programme Type (United Kingdom and Europe only)



Works in two ways as a interrupt, or as a 'PTY Following'.

Press and hold the 'PT' button to display the default priority programme type 'NEWS'. If a different programme type is preferred use the tuning up and down buttons to cycle through the available programme types.

Press and hold the 'PT' button again to activate the selected priority programme type, 'PTY' will be shown in the top of the display to indicate that it is active. The radio will now wait for RDS information to indicate that a station has changed its programme type, i.e. to 'NEWS'. The radio will now retune to the new station for the duration that it remains on that programme type.

If the current station is already on the selected priority programme type, then when this station is lost, the radio will attempt to find another with the correct programme type.

To cancel priority programme type, press and hold the 'PT' button, the 'PTY' indicator on the display will be cleared.

Traffic Announcement (TA) – Local Radio Stations (United Kingdom and Europe only)



To select Traffic Announcement: Press the TA button, a 'beep' will be heard and 'TA' will be shown at the top of the display. When there is a traffic announcement, the radio will interrupt the cassette tape and the display will show 'TRAFFIC INFO'.

Scan (All markets except United Kingdom and Europe)



Press the button and release, the unit will search to the beginning of the next track. After listening to the track for 20 seconds, the unit will continuously search and play the first 20 seconds of each track.

To Cancel: Press the button again.

CD Button



Pressing this button selects compact disc (CD) play (where fitted).

Phone Mode



Pressing this button selects phone mode (where fitted).

COMPACT DISC PLAYER

This section shows how to load CDs into the magazine and how to play them using the Radio controls.

Contents

2

Compact Disc (CD) Player	18
Compact Disc (CD) Check Sequence	18
Compact Disc Changer – Loading/Unloading Disc and Magazine	18
Compact Disc Operation	19
Compact Disc Player Fault Codes	21

COMPACT DISC PLAYER

Compact Disc (CD) Player (Where fitted)

The radio cassette is used to control the function of a CD autochanger. The CD unit comprises a CD autochanger which contains a magazine to take six compact discs, each mounted in a tray. This equipment is installed in the luggage compartment. The CD autochanger is available as an accessory from your Jaguar Dealer.

Compact Disc (CD) Check Sequence

As soon as the CD Player is switched on it will go through a check sequence. Each disc tray in the magazine is checked in turn and the display will show 'CHECK' and the tray number. When the six trays have been checked the player will return to disc number one.

CD Changer – Loading and Unloading Discs and Magazine

Ejecting the magazine

Slide the magazine door to the right (A). Press the eject button (B), the magazine will then partly eject from the changer.

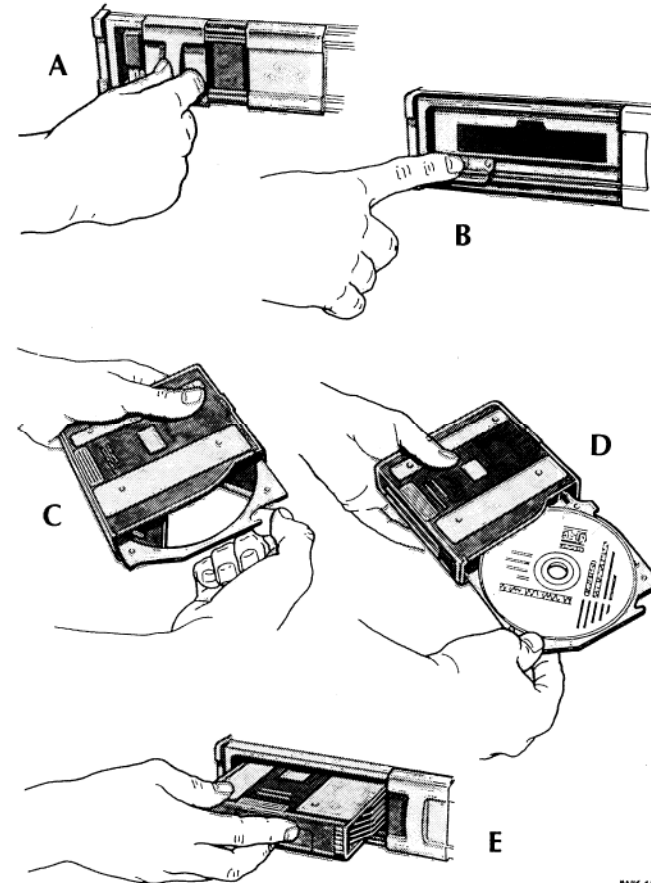
Pull out the disc tray from the magazine (C) and load your six selected discs into each tray with the labels facing upwards (D), taking care not to touch the playing surface. Push the tray back into the magazine until it clicks.

Disc tray slots are numbered 1 (bottom slot) to 6 (top slot).

Inserting the magazine

Insert the loaded magazine into the changer (E) with the arrow mark facing upwards and pointing towards the CD changer. Ensure that it clicks into position. Close the sliding door.

Keep the sliding door closed to prevent dust entering the playing mechanism.



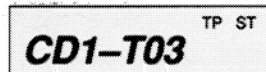
JWK-121

COMPACT DISC PLAYER

Compact Disc (CD) Operation


The radio display shows which function has been selected by using a simple statement, for example, DISC 1 or TRACK 2.

Examples of Compact Disc Display Information



NO DISC	There is no disc in the selected position.
NO MAGAZINE	There is no magazine in the CD Changer.
MIX	The disc is in MIX mode.
D MIX	The CDs are all in MIX mode.
MAG EJECT	The CD magazine is being ejected.
DISC CHECK	The CD Autochanger is checking there is a disc.
PAUSE	The CD Autochanger is paused and ready to play.

CD button

 This button can select CD from either tape or radio mode. This function is also controlled by the appropriate button on the steering wheel (see page 7).

Band Switch AM/FM




Press this button to return to radio.

CD Selection



Buttons 1 to 6 directly select the CD in those positions in the Changer magazine. This selection is shown in the display. The display indicates during loading, and stops during play. If there is no disc in the selected position, 'NO DISC' will be displayed. If there is no magazine in the Changer, 'NO MAGAZINE' will be displayed.

MIX and Disc MIX

 Momentarily press this button to select the MIX feature. The display will show 'MIX' and the player will start playing the tracks of the selected disc in random order. To cancel, press MIX again or any other button. Press and hold this button to select the CD Mix feature. The display will show 'D MIX' and the player will start playing tracks from any disc in random order. To cancel press 'MIX' again or any other button.

Tape Button



Pressing this button selects tape play, if a cassette is in the player.

COMPACT DISC PLAYER

Forward, Reverse Control



This control has two functions, seek to track and fast play in each direction. Momentarily pressing the right-hand button will activate track skip to the next track on the CD. Continuously pressing the button will select further track numbers. The selection is indicated in the display. The left-hand button activates return to the beginning of the current track. Continuously pressing this button selects previous tracks.

Pushing and holding either button selects continuous fast forward or fast reverse playing of the CD.

The sound level reduces during these cueing and reviewing modes. To cancel this mode, release the button.

Traffic Announcement (TA) – Local Radio Station (United Kingdom and Europe only)



To select traffic announcement: Press the 'TA' button momentarily; a 'beep' will be heard and 'TA' will be shown at the top of the display. When there is a traffic announcement the radio will interrupt the CD and the display will show 'TRAFFIC INFO'.

Scan (All markets except United Kingdom and Europe)



Press the button and release, the unit will search for the beginning of the next track on the CD. After listening to the track for 20 seconds, the unit will continuously search and play the first 20 seconds of each succeeding track of one CD.

To Cancel: Press the button again.

Priority Programme Type (United Kingdom and Europe only)



Works in two ways as an interrupt, or as a 'PTY Following'. Press and hold the 'PT' button to display the default priority programme type 'NEWS'. If a different programme type is preferred use the tuning up and down buttons to cycle through the available programme types.

Press and hold the 'PT' button again to activate the selected priority programme type, 'PTY' will be shown in the top of the display to indicate that it is active. The radio will now wait for RDS information to indicate that a station has changed its programme type, i.e. to 'NEWS'. The radio will now retune to the new station for the duration that it remains on that programme type.

If the current station is already on the selected priority programme type, then when this station is lost, the radio will attempt to find another with the correct programme type.

To cancel priority programme type, press and hold the 'PT' button, the 'PTY' indicator on the display will be cleared.

Phone Mode



Pressing this button selects phone mode (where fitted).

COMPACT DISC PLAYER

Compact Disc Player Fault Diagnosis

If the CD Player does not operate properly, an error message will be displayed. The following table gives a fault diagnosis for each error message displayed.

MESSAGE	CAUSE	SOLUTION
E-01	Disc-change malfunction.	See your Jaguar Dealer.
E-02	Disc is in player mechanism.	Press the magazine eject button, insert an empty magazine into the player. Eject the magazine from the player by pressing the eject button. If the magazine fails to eject from the player, see your Jaguar Dealer.
E-03	Disc-change malfunction.	If the error message goes out within a few seconds, the unit is working correctly. If the error message stays on, see your Jaguar Dealer.
E-04		
E-05		
E-06	Disc-change malfunction.	Press the magazine eject button and pull out the magazine. Check that the error message goes out, then operate the function again. If the magazine cannot be pulled out, see your Jaguar Dealer.

COMPACT DISC PLAYER

Compact Disc Player Fault Diagnosis (continued)

MESSAGE	CAUSE	SOLUTION
E-07	Magazine ejection impossible.	Press the magazine eject button. If the magazine does not eject, see your Jaguar Dealer.
E-30	High temperature.	The error message will go out when the temperature returns to within the operating range.
NOT CONNECT	Bad connection or disconnected CD changer.	Check connection between CD changer and control unit. See your Jaguar Dealer.
NO MAGAZINE	No CD magazine in the changer.	Insert the CD magazine.
NO DISC	No CD in tray of magazine.	Insert a CD into the tray of the magazine.

INTEGRATED PHONE

This section shows how to use the **optional** telephone system, from the radio controls..

For more details on the phone system, refer to the 'Telephone Instruction Manual'.

Contents

3

Telephone Controls	24
Features	25
Telephone Operation	25

INTEGRATED PHONE

Telephone Controls



1. ON/OFF switch and volume control.
2. Mode button.
3. Phone send and end button.
4. Phone memory recall button.
5. Phone key pad – Buttons 0 to 9.
6. Phone clear button.
7. Display.
8. Phone mode button.

INTEGRATED PHONE

Steering Wheel Integrated Phone Buttons (Where fitted)

Four control buttons are situated on the left-hand side of the steering wheel. These buttons override the functions of the similar buttons on the radio control panel.

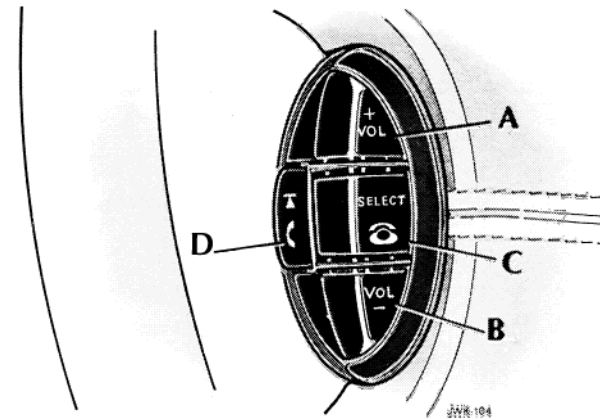
- 'A' Press to increase volume.
- 'B' Press to decrease volume.
- 'C' Press and hold to access phone mode.
- 'D' Press and release to scroll up to next memory location.
Press and hold to send and end a call.

Features

Note: The radio fitted to your car is NOT A TELEPHONE, it provides easy access to a optional fit telephone system via the buttons on the radio.

Features which can be operated from either the radio or steering wheel switches are :-

- * Access phone mode.
- * Digit dial a phone number.
- * Send and end a call.
- * Answer an incoming call.
- * Access phone memory and recall a number.
- * Clear an incorrect number.
- * Adjust volume of phone.
- * Fader control.



Telephone Operation

Volume Control and Fader Mode

The phone volume can be adjusted from the radio volume control and this setting is memorised for the next time phone mode is entered (this will not adjust the other audio volume settings). Also controlled from the steering wheel switches.

The fader mode position can be adjusted to suit the phone requirements (this will not affect the other audio fader settings).

SELECT (Steering Wheel Switch – item 'C')

Press and hold to enter phone mode.

Momentarily press to exit phone mode and return to the previous audio mode (when a call has ended).

INTEGRATED PHONE

Telephone Operation (continued)

Phone Mode Button



This button will activate the phone mode, ready to make a call and the display will indicate that phone mode has been selected.

The steering wheel switch – 'SELECT', if pressed and held will also act as the phone mode button (see item 'C' on page 25).

Key Pad



Enter the required telephone number, each key press will beep and the digit is displayed on the radio.

Also used in 'Memory Recall', to enter a location number, or to scroll up/down the memory locations.

Clear



Momentarily press this button to clear the last digit from the entered telephone number.

Press and hold this button to clear all of the digits entered.

Send and End



Press this button to send the entered telephone number. Also used to end a call that is in progress.

This function is also controlled from the steering wheel switch, press and hold (see item 'D' on page 25).

Memory Recall



Press to access the phone memory and recall a number. Either a memory location number can be entered from the key pad, or memory locations can be scrolled up and down from the key pad scroll keys.

The memory recall/scroll up can also be entered from the steering wheel switch, momentarily press send and end (see item 'D' on page 25).

Band Switch (FM/AM)



Pressing this button selects radio operation (when a call has ended).

CD Button



Pressing this button selects CD operation (when a call has ended).

Tape Button



Pressing this button selects tape operation, or inserting a tape (when a call has ended).

Taking Care of Vehicle's Sound System

Radio

Do not use petrol, solvents or abrasive cleaners on the radio. Wipe the surface of the radio with a lint-free cloth to remove dust. Slightly moisten the cloth with clean water to remove any finger-marks from the outside surfaces of the radio.

Cassettes

Always use good quality cassettes. Low cost tapes can cause jamming, the sound quality will be inferior, and they can create a fast build-up of deposits on the play-back head.

Before playing, check the cassettes to ensure that the tape is not loose on the spools. If necessary, take up the slack by gently turning the spools with the end of a pencil. A jammed or sticking tape will cause the auto-reverse mechanism to operate continuously.

It is best not to use a tape longer than 45 minutes playing time each side (C90). Cassettes should be stored in their library cases away from direct sunlight. Do not store cassettes in door pockets where they could be effected by the magnets in loud-speakers which might impair the sound quality.

Never insert a cassette that has a torn or loose label, it may cause the mechanism to jam.

After approximately 15 hours playing time, the display on the radio will show 'CLEAN TAPE'. Clean the tape mechanism itself using a mechanical type cleaner with a wetting agent in an approved kit available from your Jaguar Dealer. Do not use abrasive type cleaners as they can cause excessive wear on the play-back head.

Compact Discs (CDs)

When handling compact discs, do not touch the playing surface. When they are not being used they should always be stored in their cases away from direct sunlight, heat and dust. Scratches, finger-marks or dust on the surface of a disc can cause the optical pick-up to skip tracks. If the surface is dirty, use an appropriate CD cleaner.

Do not attempt to play damaged, warped, cracked or oversized discs. They could seriously damage the play-back mechanism.

Aerial

The aerial care procedure should be carried out when cleaning the exterior of the vehicle, to ensure smooth and reliable operation of the aerial.

When cleaning the aerial, always wipe it in an upward direction. Occasionally use an aerial maintenance wipe cloth to lubricate the aerial.

In freezing conditions check that no ice has formed over the top of the aerial, this could prevent it from being raised, causing damage to the lift motor.

A special aerial cleaner is available from your Jaguar Dealer.

INDEX

Aerial care	27	Forward/Rewind control – Cassette player	15
Aerial operation	5	Integrated phone	23
Automatic volume control (AVC)	6	Integrated phone – Controls	24
Auto memory (A-MEM) – Radio	8 & 9	Integrated phone – Features	25
Band switch (AM/FM) – Radio	8	Key pad – Integrated phone	26
Band switch (AM/FM) – Cassette player	14	Main controls – Radio cassette	4
Band switch (AM/FM) – Compact disc player	19	Memory recall – Integrated phone	26
Band switch (AM/FM) – Integrated phone	26	Mix and disc mix – Compact disc player	19
Care of the vehicle's Sound System	27	Mode control	7
Cassette operation	14	On/Off and volume control	6
Cassette tapes – Care of	27	Phone mode – Cassette player	15
CD button – Compact disc player	15 & 19	Phone mode – Compact disc player	20
CD button – Integrated phone	26	Phone mode – Integrated phone	26
Clear button – Integrated phone	26	Phone mode – Radio	11
Compact disc (CD) changer – Loading and Unloading discs and magazine	18	Programme change control – Cassette player	14
Compact disc (CD) check sequence	18	Preset buttons – Radio	8
Compact disc (CD) operation	20	PT – Programme type	11, 15 & 20
Compact disc (CD) player	18	Radio cassette	6
Compact disc player fault codes	21	Radio cassette – Care of	27
Compact disc selection control	19	Radio cassette – Controls	4
Compact discs – Care of	27	Radio data system (RDS) control	9
Dolby B control – Cassette player	14	Radio data system (RDS) trouble-shooting guide	12
Eject button – Cassette player	14	Radio operation	7
Fader mode – Integrated phone	25	Radio set up modes	13
FM and AM reception	6	Scan	8, 15 & 20
Foreword	2	Security code number	6
Forward/Reverse control – Compact disc player	20	Send and end button – Integrated phone	26

INDEX

Source tone memory	7
Steering wheel – control buttons – Radio cassette	7
Steering wheel – control buttons – Integrated phone	25
Tape button – Cassette player	14
Tape button – Compact disc player	19
Tape button – Integrated phone	26
Traffic announcement (TA) control	9
Traffic announcement – Local station – Cassette player	15
Traffic announcement – Local station – Compact disc player ..	20
Traffic announcement – Preset minimum volume	11
Tuning control – Radio	8
Volume control – Integrated phone	25

JJM 10 21 14/80
