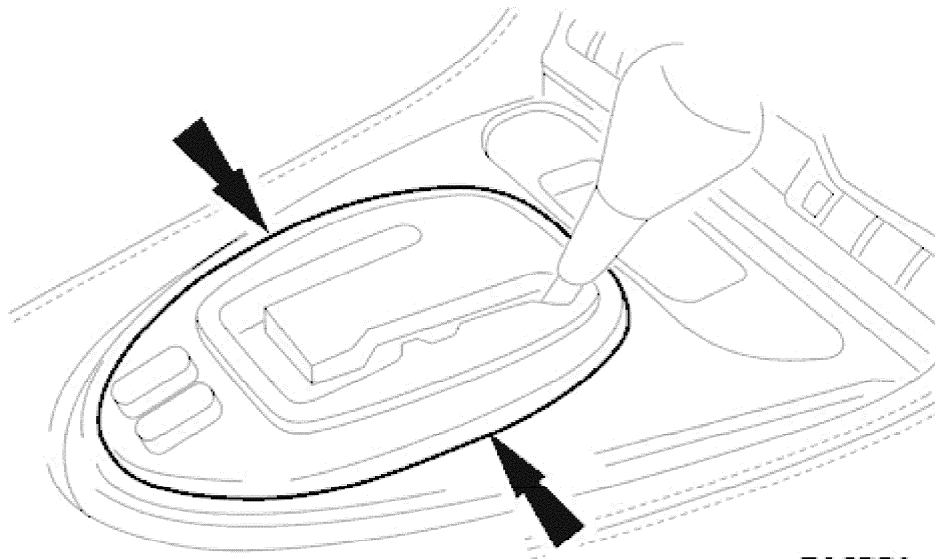


## Selector Lever Gate Finish Panel 76.25.24

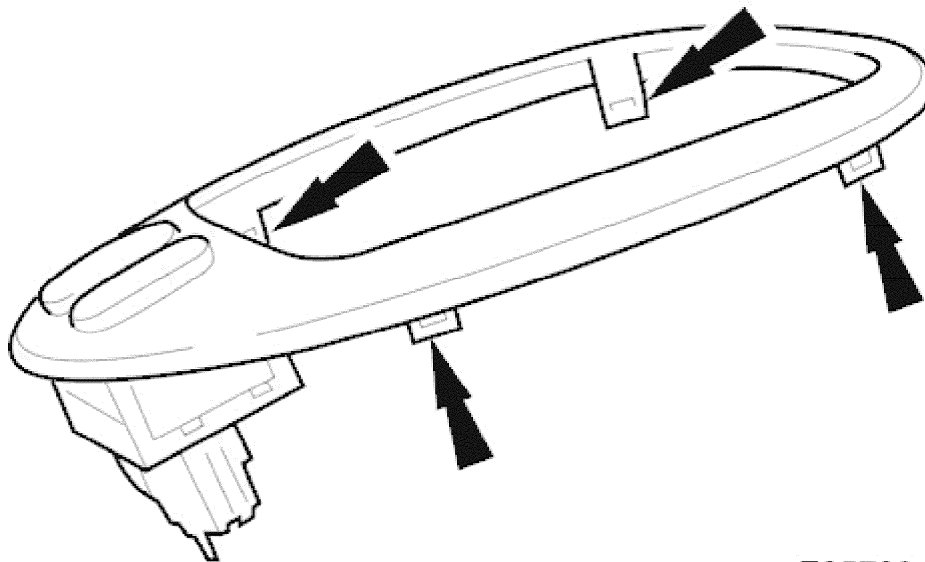
### Removal

1. Remove battery cover and disconnect ground cable from battery terminal. Refer to <<86.15.19>>.



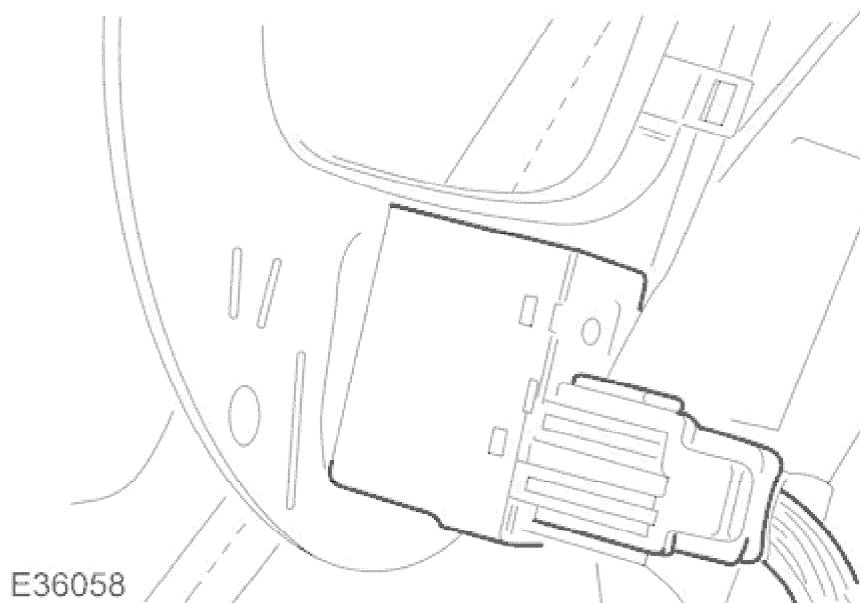
E35779

2. Apply protective tape to veneer panel along each side of surround.

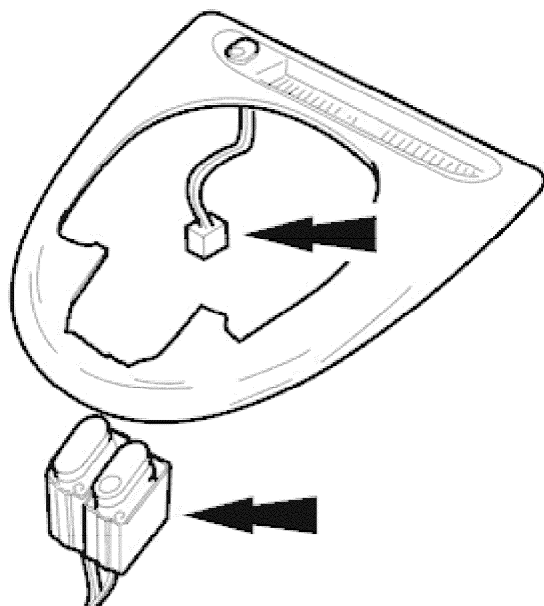


E35780

3. Using a thin plastic lever and exercising care to avoid damaging veneer surface, release the four surround tangs from the 'J' gate.



4. Disconnect multiplugs from Sport mode and Cruise Control on/off switches.



5. Noting orientation of switches, depress tangs and remove switches from surround.

### Installation

1. Ensuring correct orientation, fit and fully seat Sport mode and Cruise Control on/off switches in surround.
2. Position surround for access and connect switch harness multiplugs.
3. Position surround over 'J' gate and press firmly to fully seat tangs.
4. Remove protective tape from veneer panel.