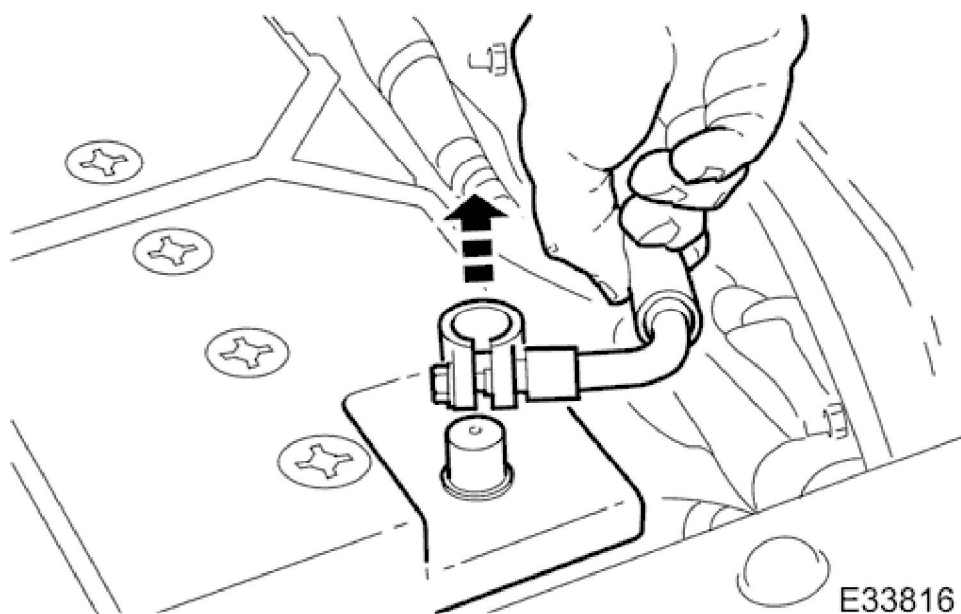


## Steering Column Multifunction Switch Mounting Bracket 76.46.33

### Removal

1. Remove the underscuttle; refer to Section <<501-05>>.
2. Remove the steering column lower cowl; refer to Section <<501-05>>.
3. Remove the steering column upper cowl; refer to Section <<501-05>>.
4. Remove the battery cover.



5.  **WARNING:**  
**WAIT AT LEAST ONE MINUTE BEFORE STARTING WORK, BECAUSE THE AIR BAG IS EQUIPPED WITH A BACK-UP POWER SOURCE AND MAY BE INADVERTENTLY DEPLOYED.**

Disconnect the battery ground cable.

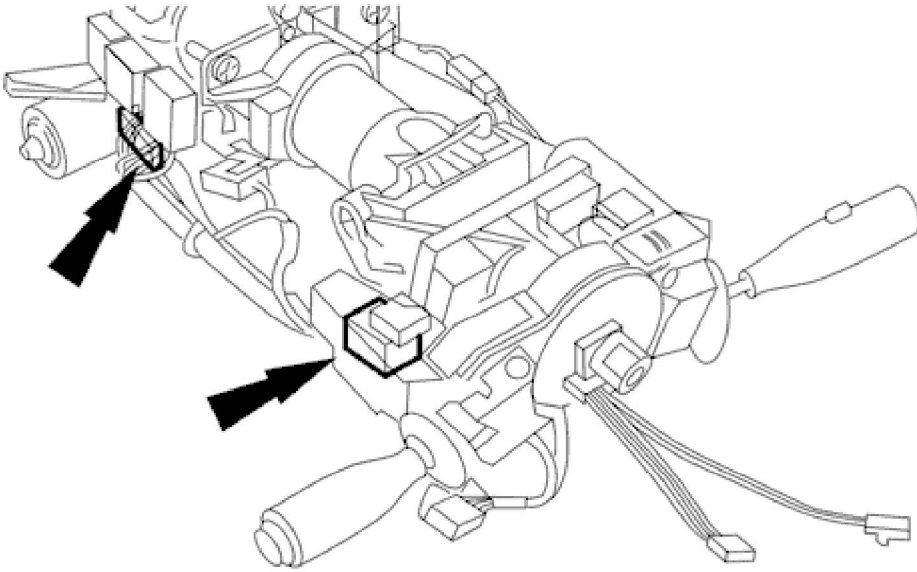
6. Remove the driver's air bag module; refer to Section 501-20.

**1999 XK RANGE - Steering Column Switches - 211-05**



E32440

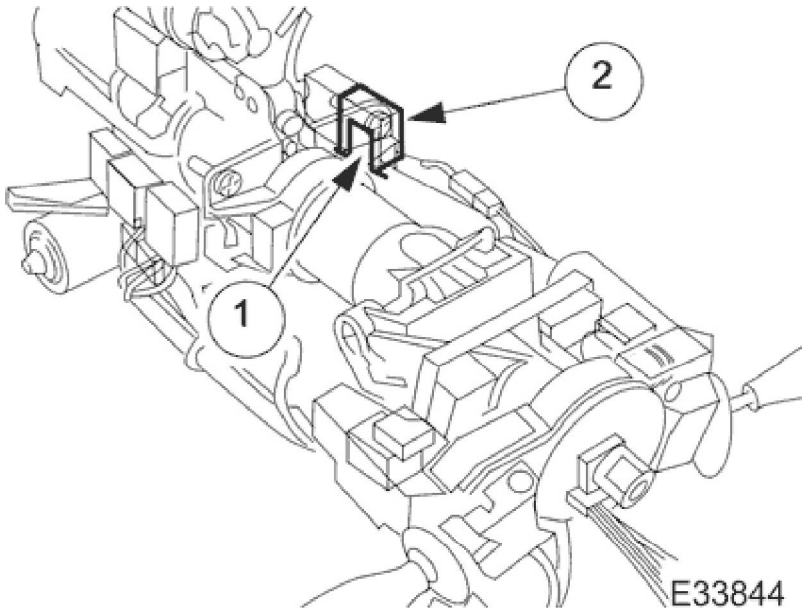
- 7. Ensure that the steering is centered.
- 8. Remove the steering wheel; refer to Section <<211-04>>.



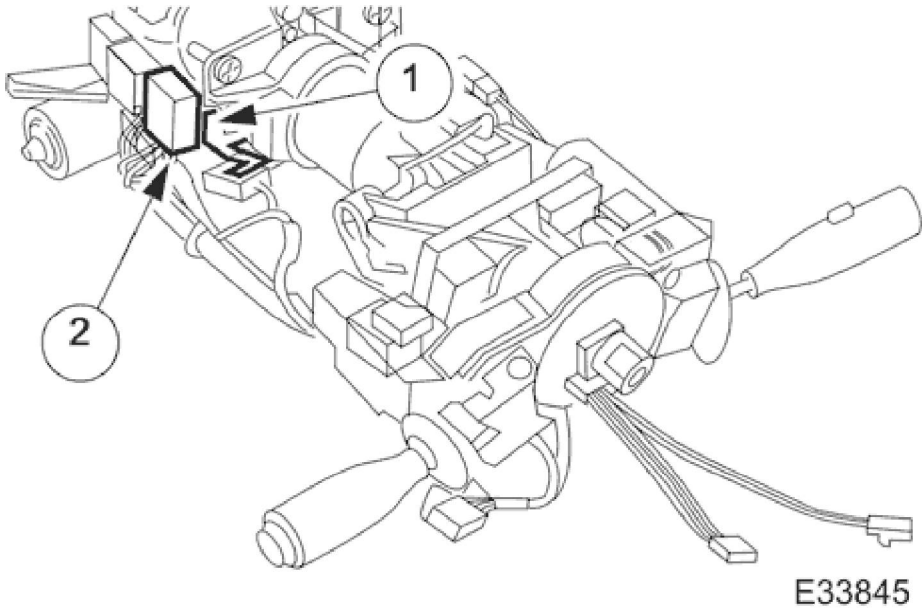
E33843

- 9. Disconnect the cancellation module multiplugs.

**1999 XK RANGE - Steering Column Switches - 211-05**

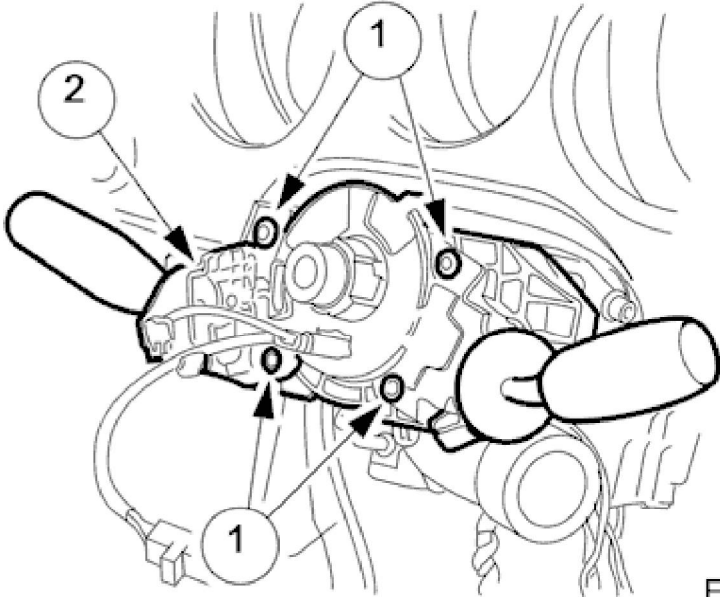


- 10. Remove the wiper/washer switch multiplug.
- 1. Release the multiplug from the mounting bracket.
- 2. Disconnect the multiplug.



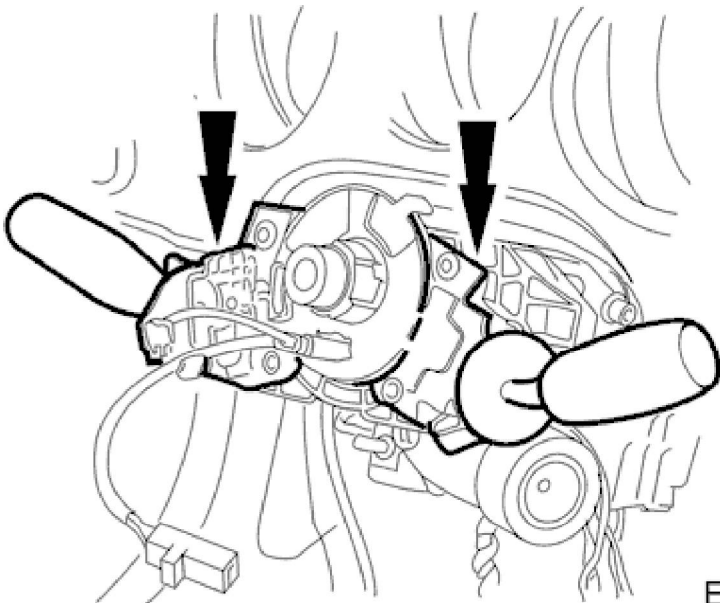
- 11. Remove the flasher/headlamp switch multiplug.
- 1. Release the multiplug from the mounting bracket.
- 2. Disconnect the multiplug.

**1999 XK RANGE - Steering Column Switches - 211-05**



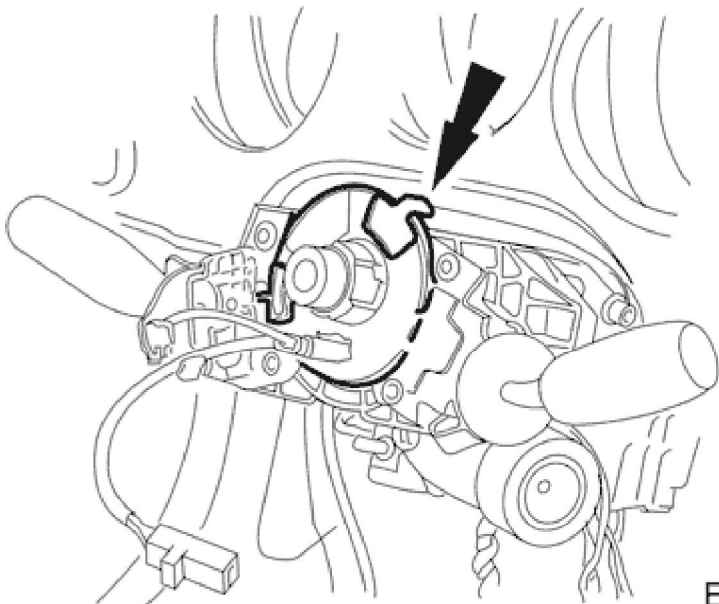
E33846

- 12. Remove the switch assemblies/cancellation module.
  - 1. Unscrew the switchgear securing screws.
  - 2. Remove the switchgear assembly from the mounting bracket.



E33847

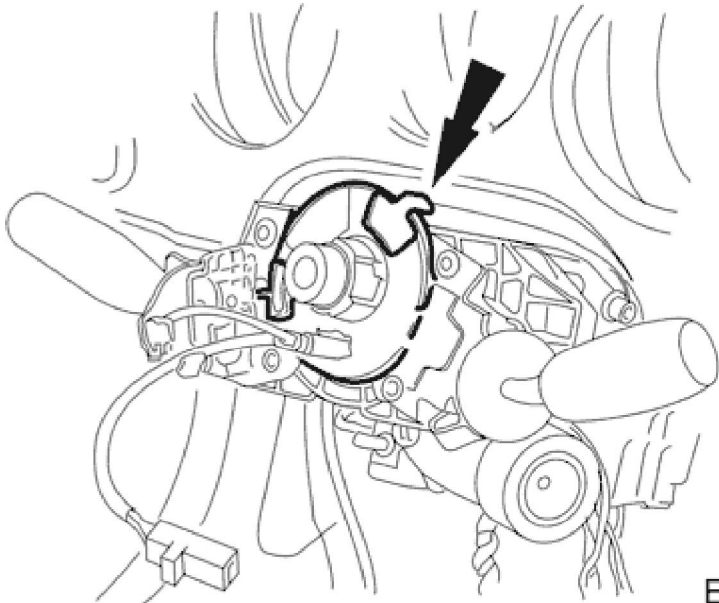
- 13. Remove the switch assemblies from the cancellation module and mounting bracket.



E33851

14. Remove the cancellation module from the mounting bracket.

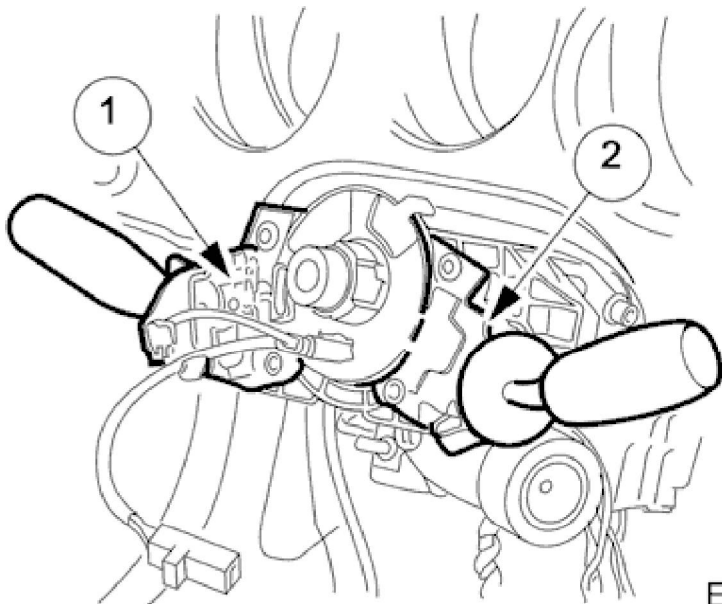
**Installation**



E33851

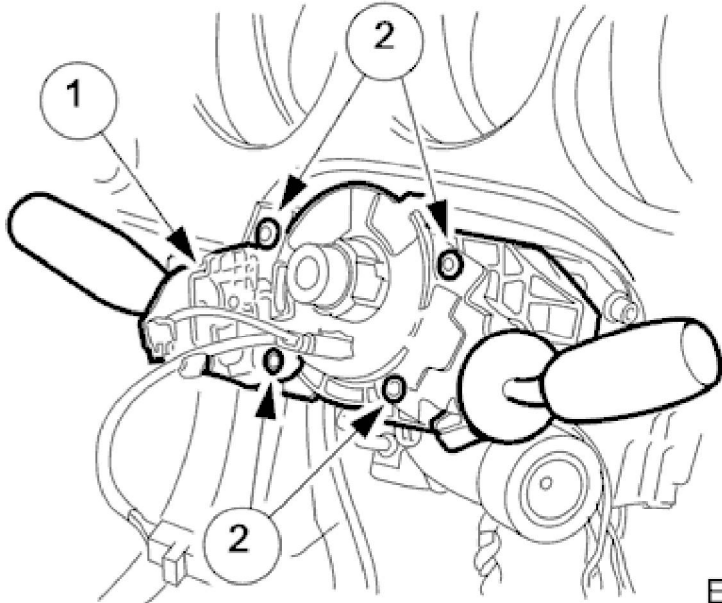
1. Install and align the cancellation module to the column mounting bracket.

# 1999 XK RANGE - Steering Column Switches - 211-05



E33852

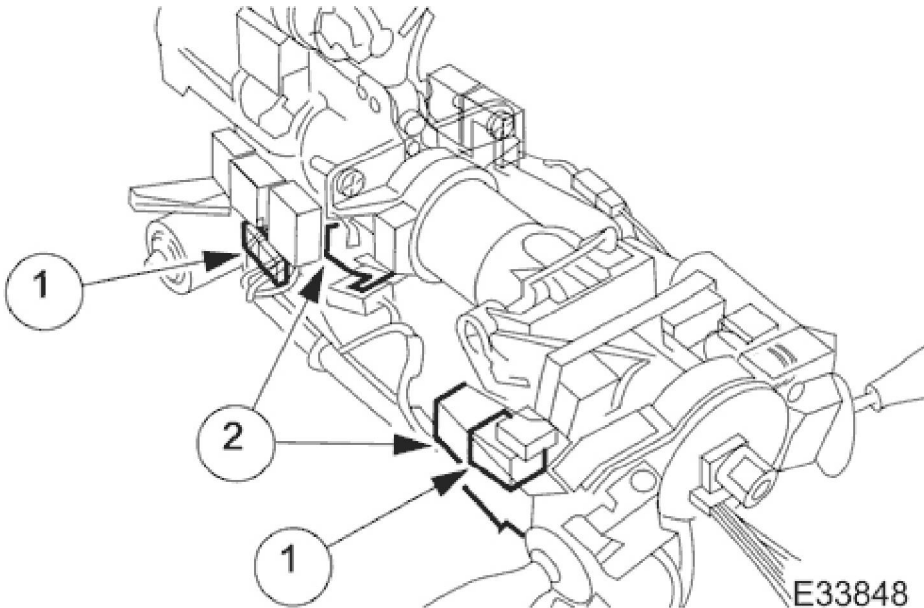
- 2. Install the flasher switch and washer switch assemblies to the module mounting bracket.
- 1. Install and align the flasher switch assembly.
- 2. Install and align the washer switch assembly.



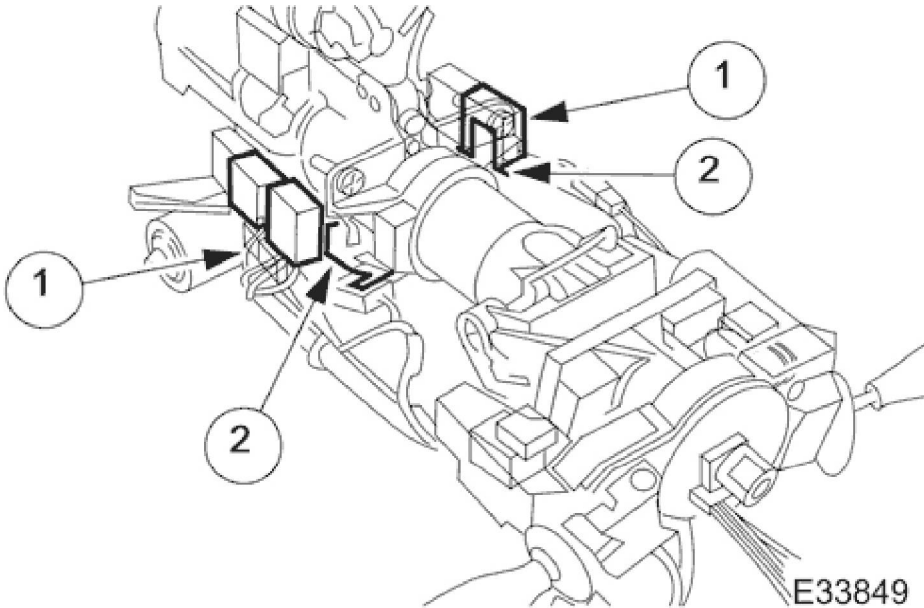
E33850

- 3. Install switchgear assembly to the steering column.
- 1. Install and align the switchgear assembly to the steering column.
- 2. Install and tighten the switchgear and cancellation module securing bolts.

# 1999 XK RANGE - Steering Column Switches - 211-05



- 4. Reconnect and locate the cancellation module harness multiplugs.
  - 1. Reconnect the cancellation module harness multiplugs.
  - 2. Locate the multiplugs to the mounting bracket.



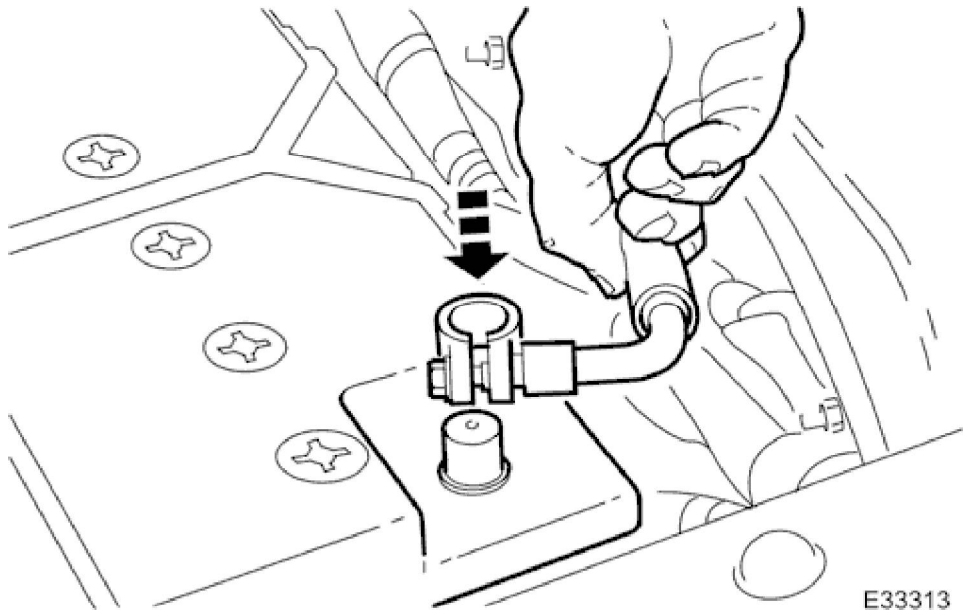
- 5. Reconnect and locate the switch assembly multiplugs.
  - 1. Reconnect the switch assembly harness multiplug.
  - 2. Locate the multiplug to the mounting bracket.

# 1999 XK RANGE - Steering Column Switches - 211-05



E32440

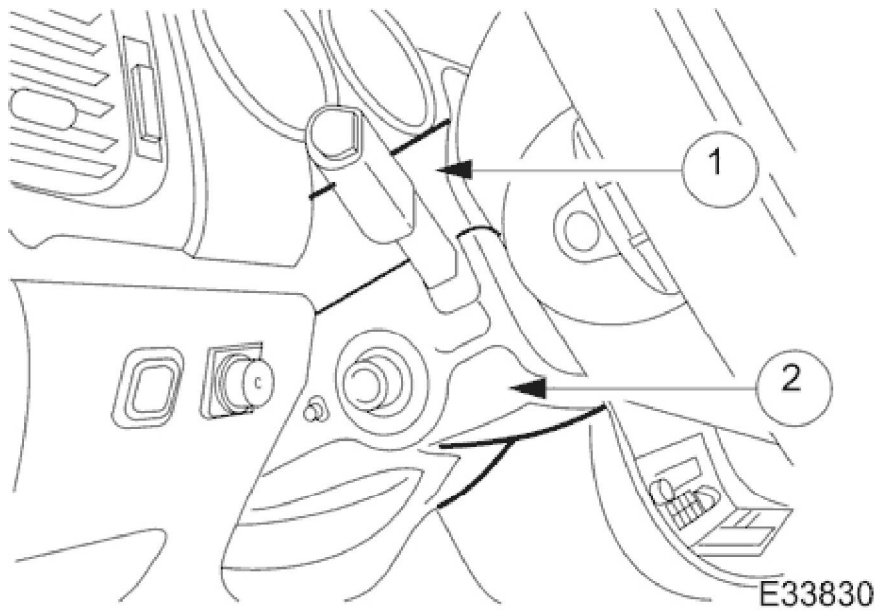
- 6. Install the steering wheel to the column in the correct orientation; refer to Section <<211-04>>
- 7. Install the driver's air bag; refer to Section 501-20



E33313

- 8. Reconnect the battery ground cable.
- 9. Install the battery cover.

## 1999 XK RANGE - Steering Column Switches - 211-05



10. Install the steering column upper and lower cowls.
  1. Install the steering column upper cowl; refer to Section <<501-05>>.
  2. Install the steering column lower cowl; refer to Section <<501-05>>.

11. Install the underscuttle; refer to Section <<501-05>>.