

1998 XK RANGE - Front Suspension - 204-01

Wheel Bearing 60.25.40

Special Service tools



Hub Remover
204-193 (JD 224)

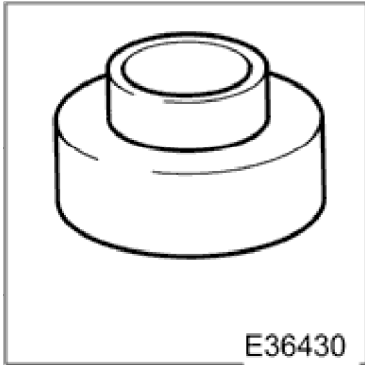


Hub Removal Collets
204-194 (JD 225)

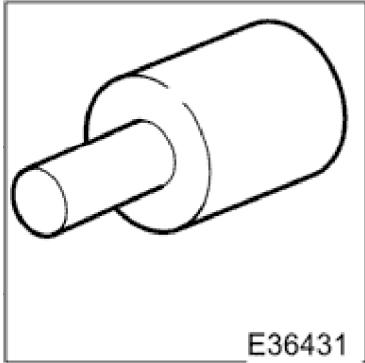


Hub Holding Tool
204-195 (JD 227)

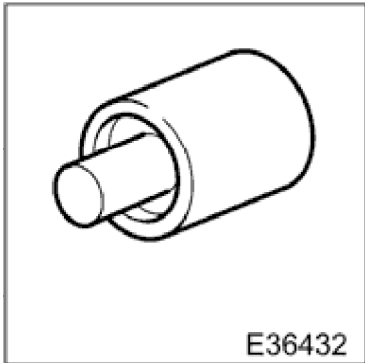
1998 XK RANGE - Front Suspension - 204-01



Hub Replacer
204-196 (JD 236)

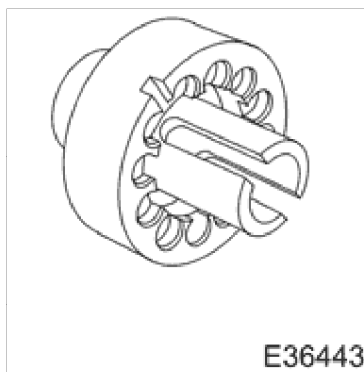


Wheel Bearing Remover
204-197 (JD 237)

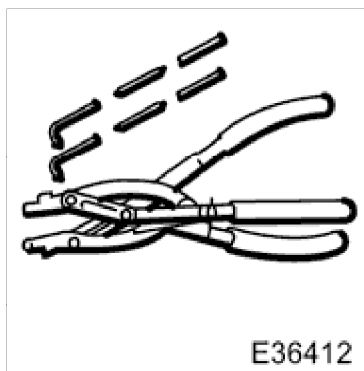


Wheel Bearing Replacer
204-198 (JD 238)

1998 XK RANGE - Front Suspension - 204-01




ABS Rotor Nut Socket
206-066A



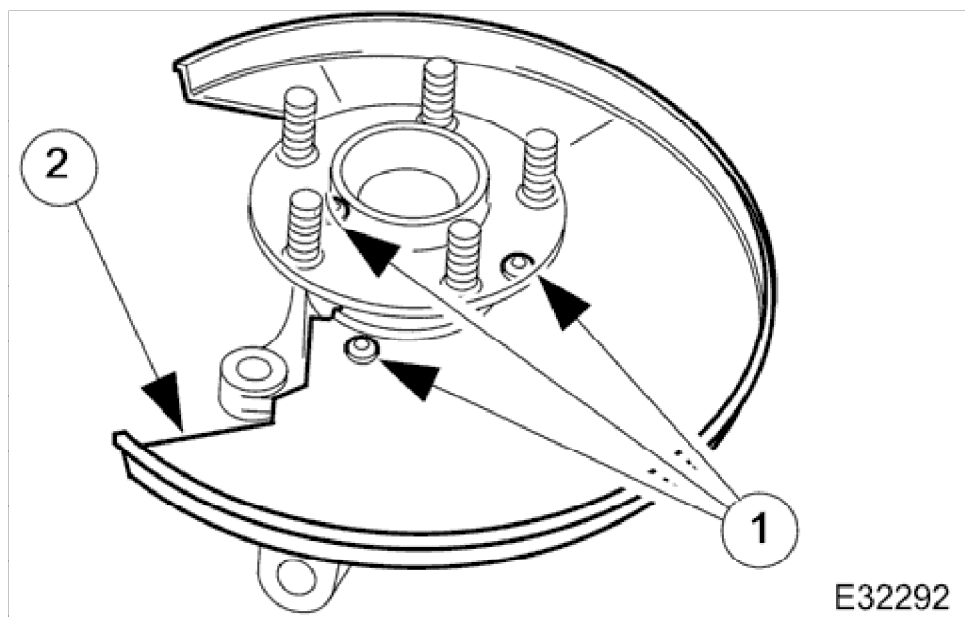
Circlip Pliers
18G 1004

Removal

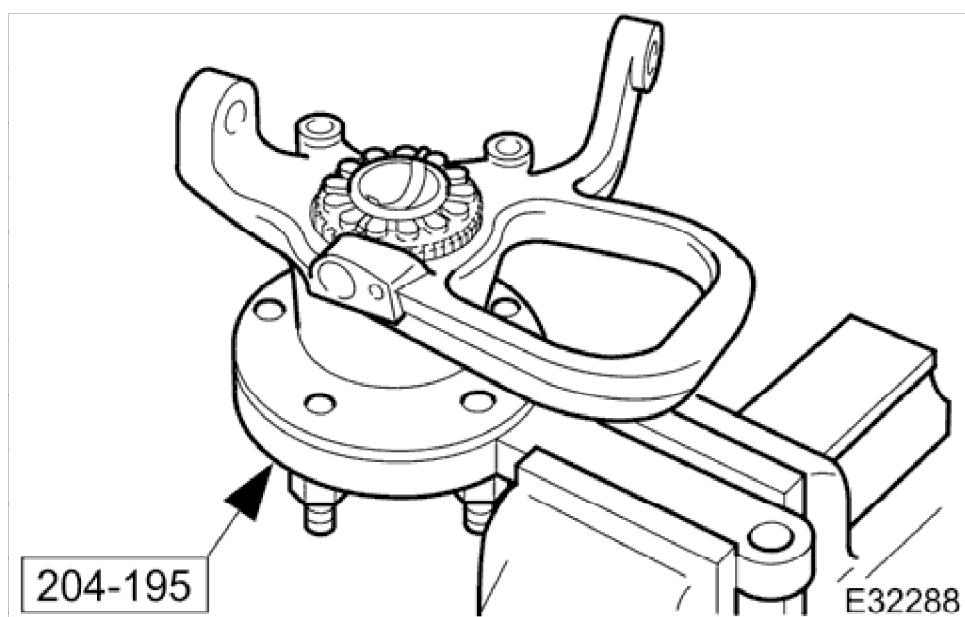
-  **CAUTION:**
Replacement of nuts and bolts: Various thread-locking devices are used on nuts and bolts throughout the vehicle. These devices restrict the number of times a nut or bolt can be used. See section <<100-00>> for information.

Remove vertical link and hub assembly. Refer to operation <<60.25.38.90>>.

1998 XK RANGE - Front Suspension - 204-01

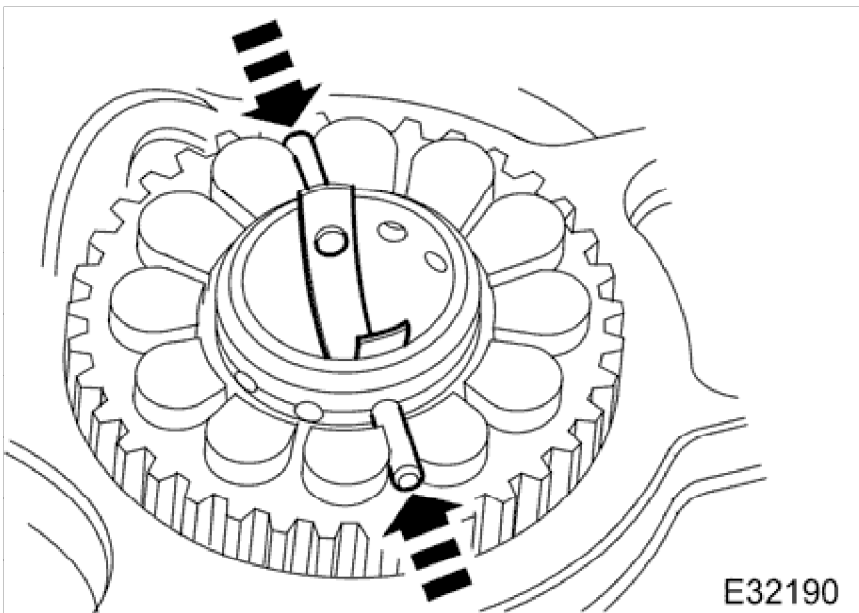


2. Remove brake-disc shield from vertical link.
1. Remove screws.
2. Remove disc shield.

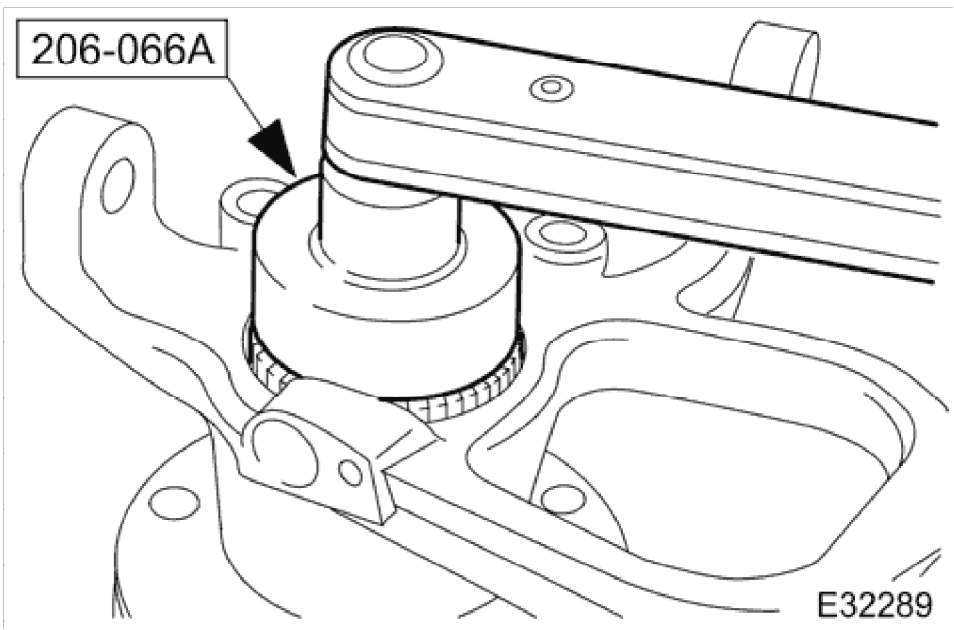


3. Using special tool, secure vertical link and hub assembly in a vice.
 - Secure special tool in a vice.
 - Position hub in tool.
 - Fit and tighten wheel nuts.

1998 XK RANGE - Front Suspension - 204-01



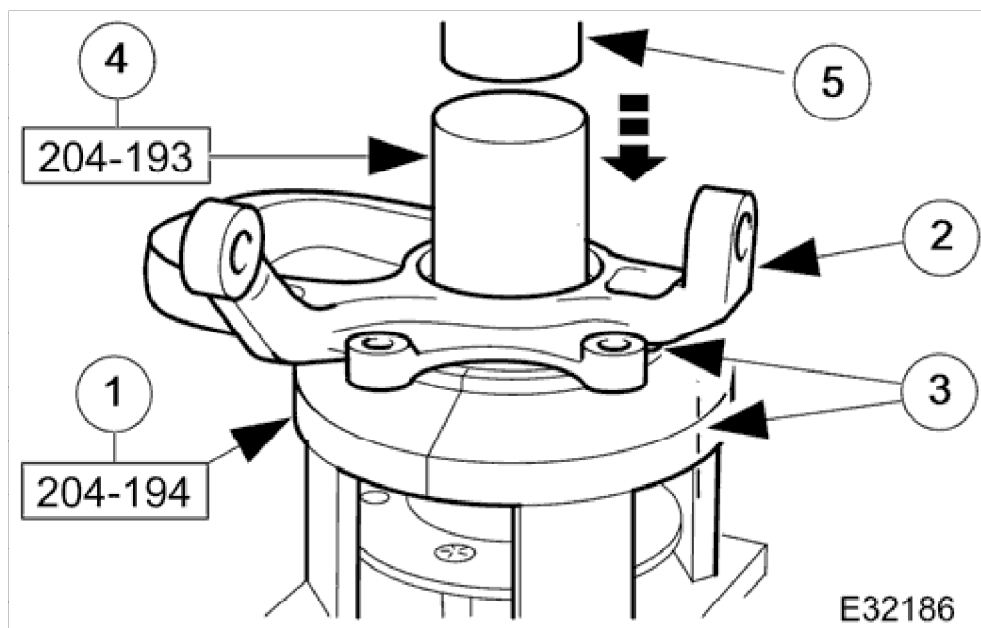
4. Remove rotor nut spring-clip.



5. Remove rotor nut.
• Using special tool remove rotor nut.

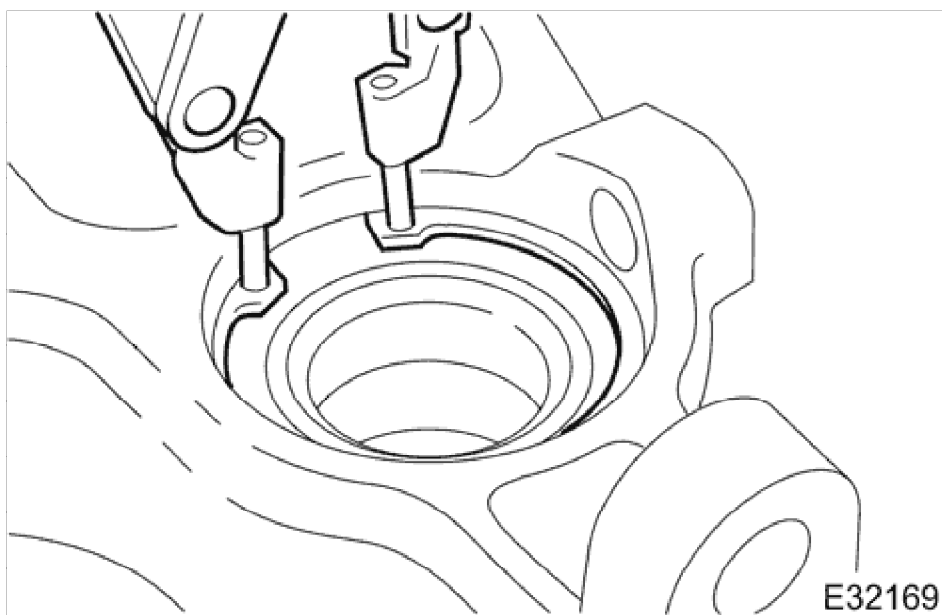
6. Remove vertical link and hub assembly from special tool.

1998 XK RANGE - Front Suspension - 204-01



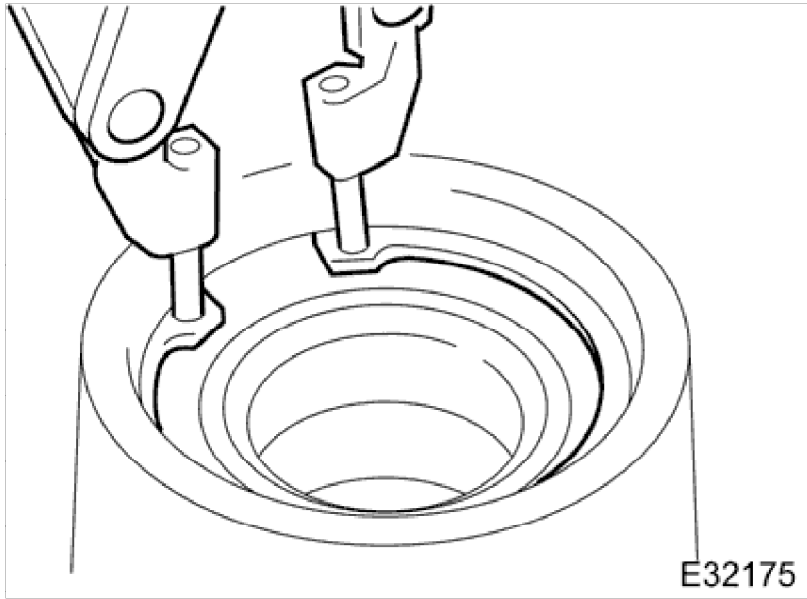
7. Using a hydraulic press, remove hub from vertical link.

1. Place special tool on press bed.
2. Position vertical link and hub assembly into tool collets.
3. Make sure one of the disc shield screw-bosses is in the center of one of the tool collets.
4. Position special tool on top of hub.
5. Operate press to remove hub from vertical link.

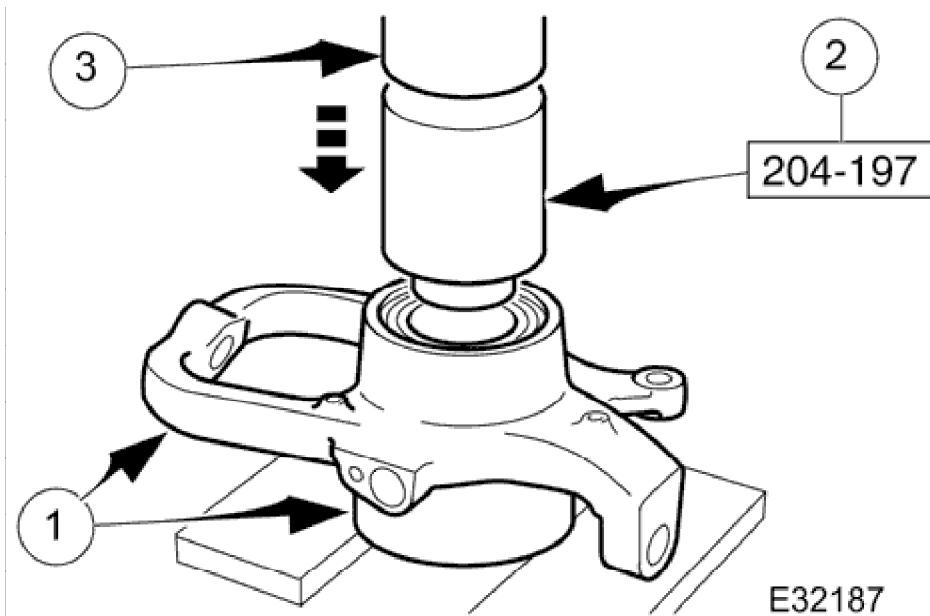


8. Remove and discard the inboard circlip from the vertical link.

1998 XK RANGE - Front Suspension - 204-01



9. Remove and discard outboard circlip from the vertical link.



10. Using a hydraulic press, remove wheel bearing from vertical link.

NOTE:

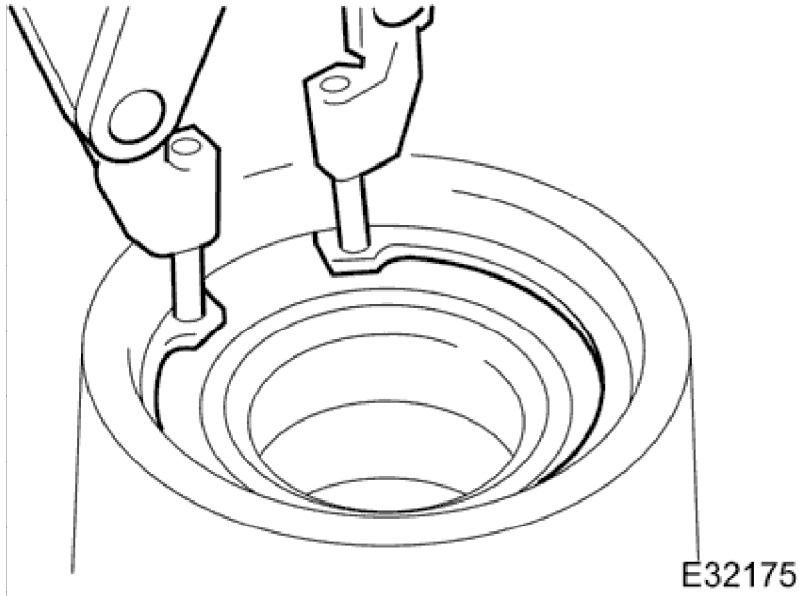
Make sure the vertical link is level, and the supports are situated as near to the bearing bore as possible.

1. Position the vertical link so that the inboard side of the bearing bore is resting on suitable supports on the press-bed.
2. Position special tool on top of bearing.
3. Operate press to remove bearing from vertical link, discard bearing.

11. Clean relevant parts.

Installation

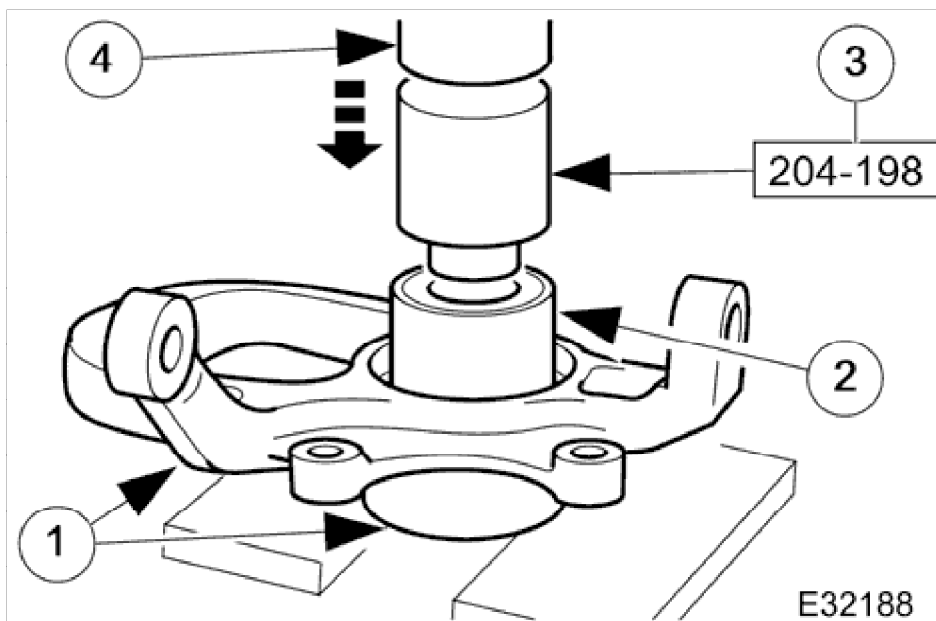
1998 XK RANGE - Front Suspension - 204-01



1. NOTE:

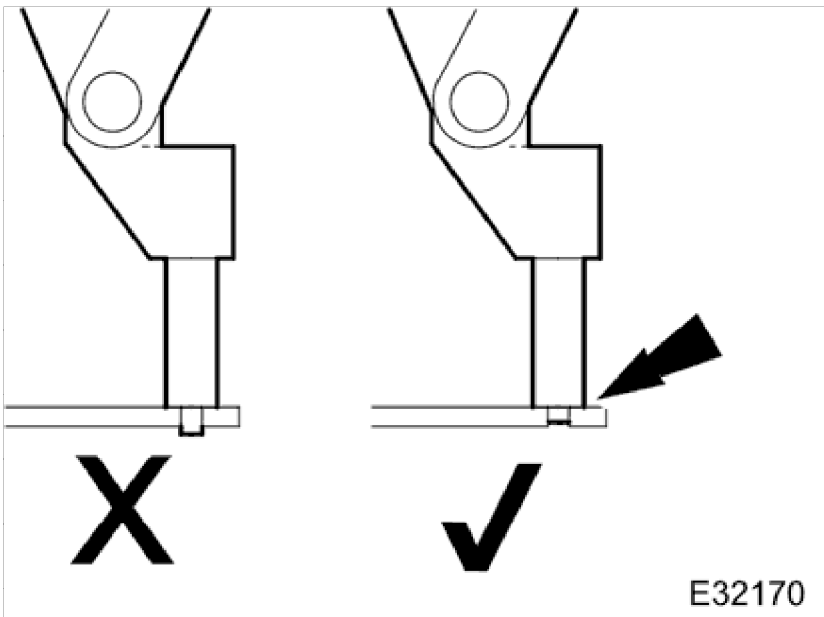
The gap between the ears of the circlip must be positioned so that it is in the lowest position of the bore when the vertical link is fitted to the vehicle. Refer to General Procedures for further information.


Fit outboard circlip to the vertical link.

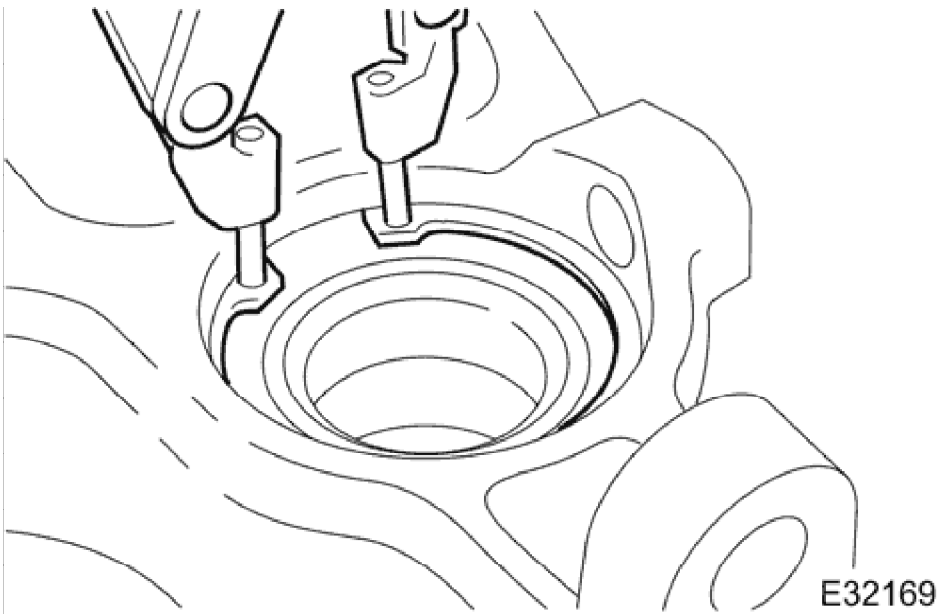


2. Using a hydraulic press, fit wheel bearing into the vertical link.

1. Position vertical link on the press bed with outboard side of the vertical link face down.
2. Position wheel bearing to vertical link.
3. Position special tool on top of wheel bearing.
4. Operate press to fit bearing, make sure that the bearing is fully seated by applying a three-ton seating load.



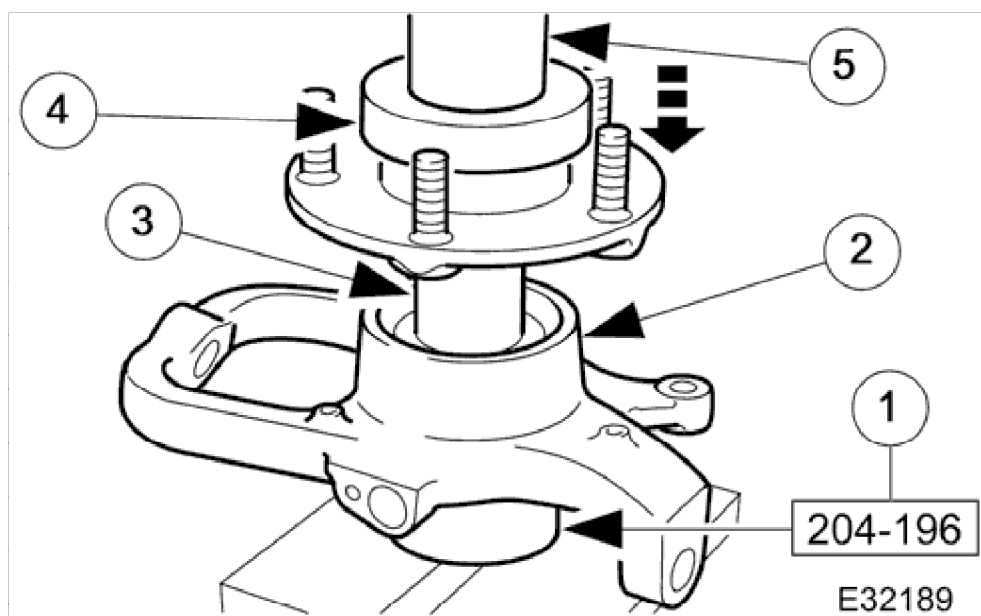
3.  **CAUTION:**
To prevent damage to the integral wheel-bearing seal, select a set of ends for the circlip pliers which do not protrude through the circlip ears.



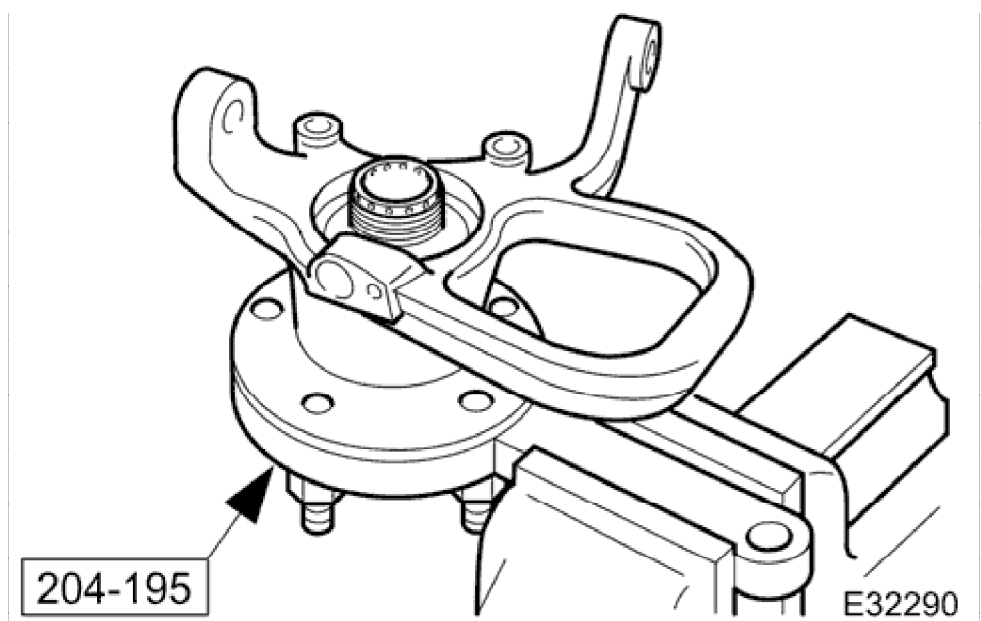
4. **NOTE:**
The gap between the ears of the circlip must be positioned so that it is in the lowest position of the bore, when the vertical link is fitted to the vehicle. Refer to General Procedures for further information.

Fit inboard circlip to the vertical link.

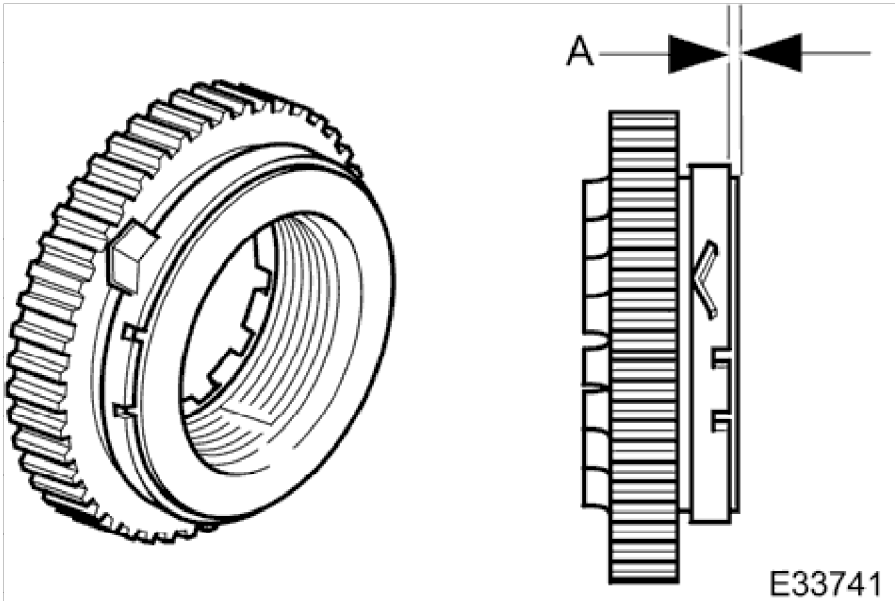
1998 XK RANGE - Front Suspension - 204-01



5. Using a hydraulic press, fit hub into vertical link.
1. Position special tool onto press bed.
 2. Position the vertical link, with the inboard-side face down, onto the tool.
 3. Position hub to bearing.
 4. Position a flat steel plate across the face of the hub, DO NOT place plate across wheel studs.
 5. Operate press to fit the hub, make sure the hub is fully seated in the wheel bearing by applying a three-ton seating load.



6. Using special tool, secure vertical link and hub assembly in a vice.
- Secure special tool in a vice.
 - Position hub in tool.
 - Fit and tighten wheel nuts.

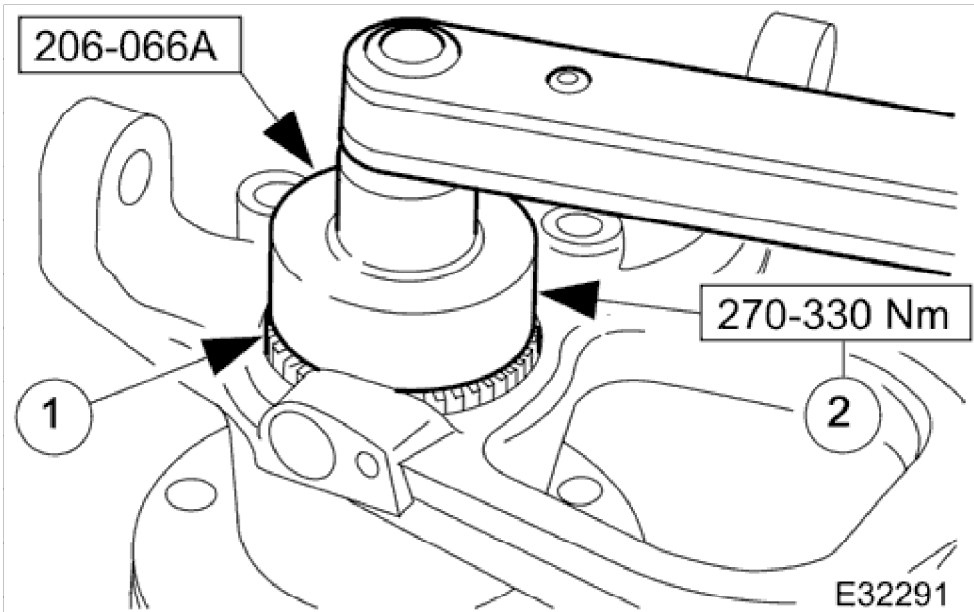


7. NOTE:

The grease deflector ring was fitted to production vehicles at VIN number 018108 and on. Vehicles before this number must be fitted with a deflector ring when the rotor nut is removed for repair purposes. Deflector rings can be obtained from Jaguar Parts.

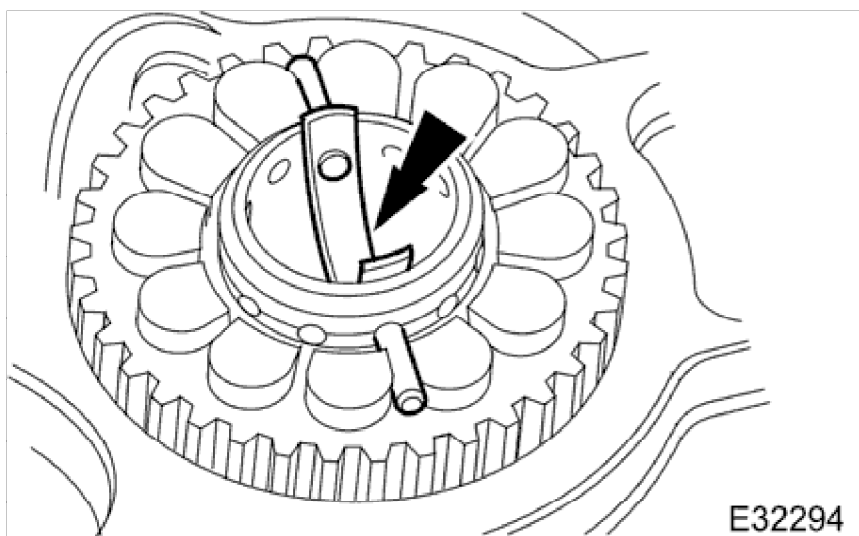
Where necessary, fit a grease deflector ring to the rotor nut.


- Fit the grease deflector ring as shown.
- The distance at 'A' must be 0.5 mm.



8. Fit rotor nut to hub.

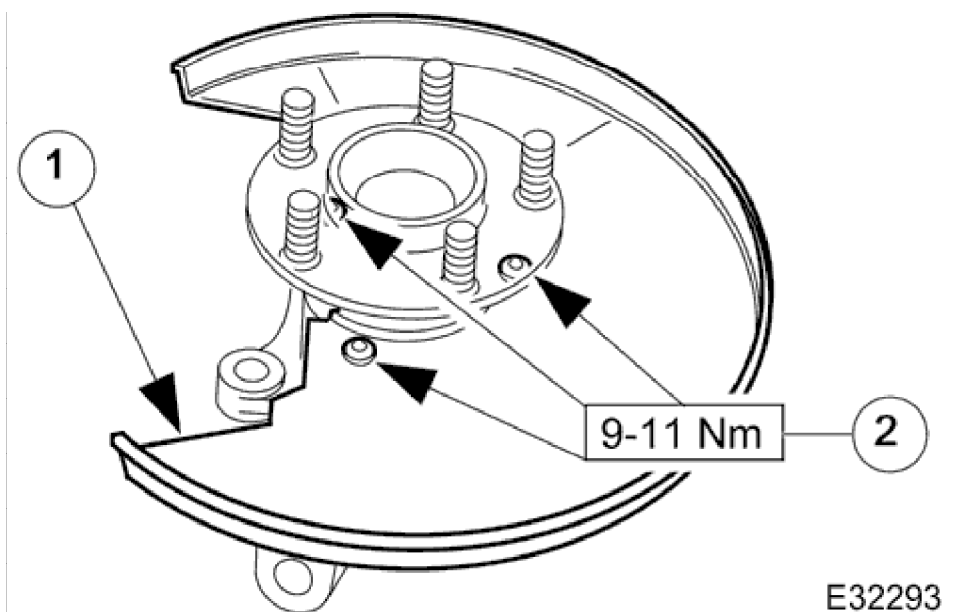
1. Fit rotor nut.
2. Using special tool tighten rotor nut.



9.  **CAUTION:**
Do not slacken the rotor nut to engage the spring clip.

Fit rotor nut spring-clip.

- Fit spring clip into the hub retaining holes and, if aligned, into the castellated slots of the rotor nut.
- If the castellated slots of the rotor nut are not aligned it will be necessary to tighten the rotor nut further until the spring clip engages the slots.



10. Fit disc shield to vertical link.
1. Position disc shield.
2. Fit and tighten bolts.

11. Fit vertical link and hub assembly to vehicle. Refer to operation <<60.25.38.90>>.

12. Check wheel alignment and adjust if necessary. Refer to operation 57.65.01.