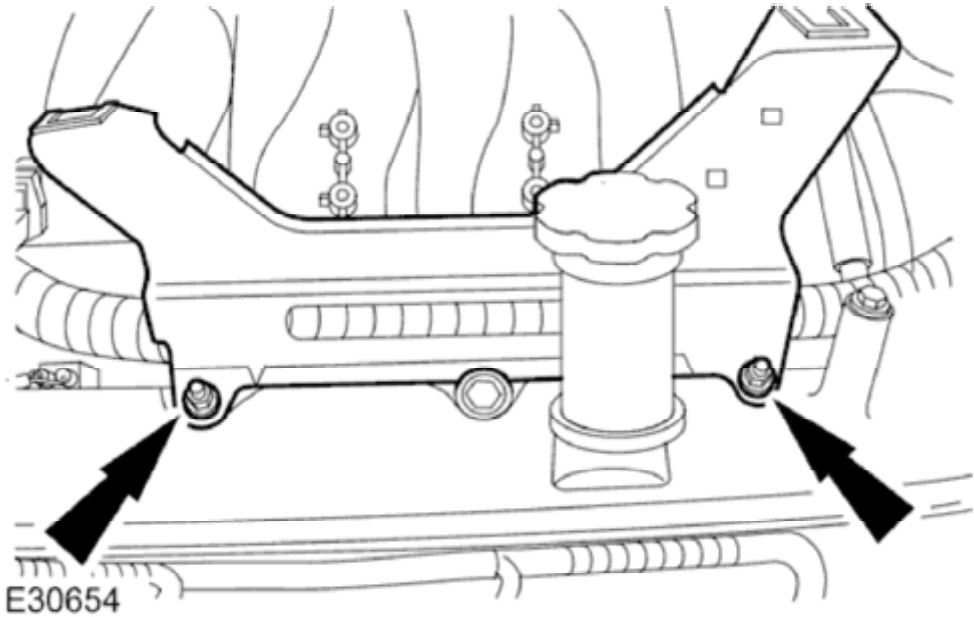


Intake Manifold 30.15.01

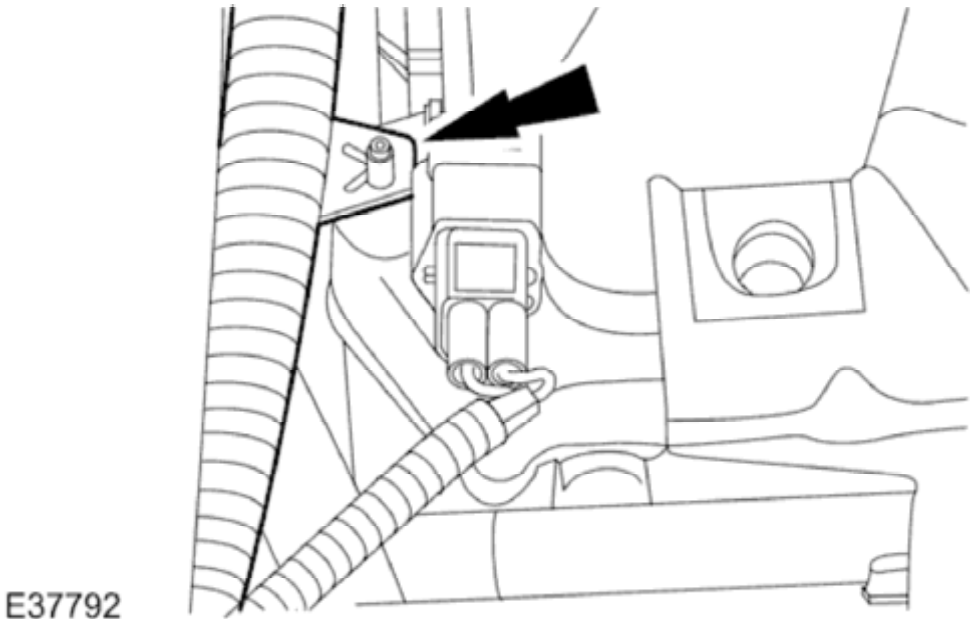
Removal

- 1. Release the fuel system pressure. <<310-00>>
- 2. Remove the air cleaner outlet pipe. <<303-12>>



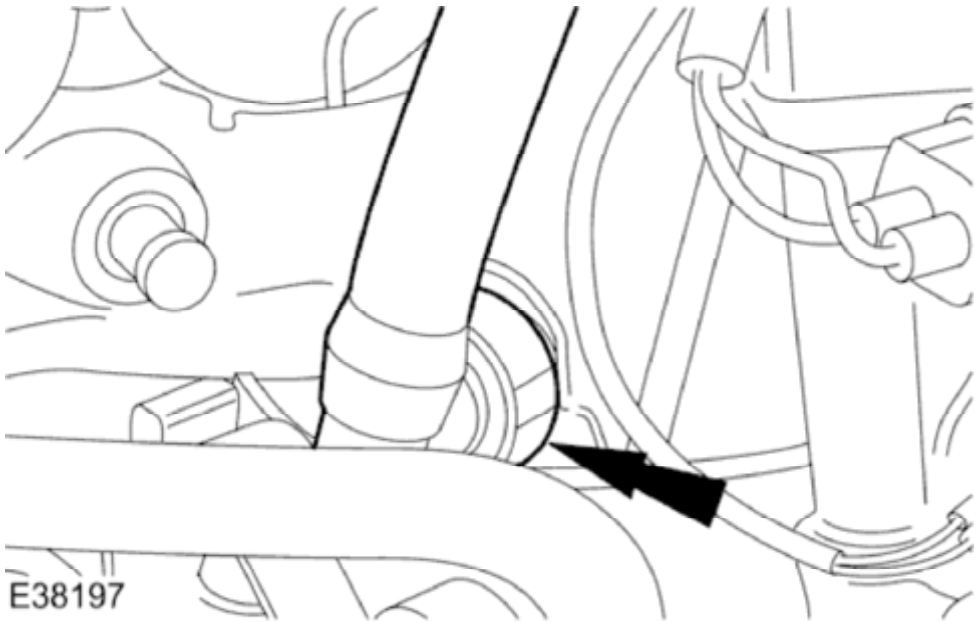
- 3. **NOTE:**
Left hand shown, right hand similar.

- Remove the engine cover retaining brackets.
 - Detach the knock sensor (KS) electrical connectors.



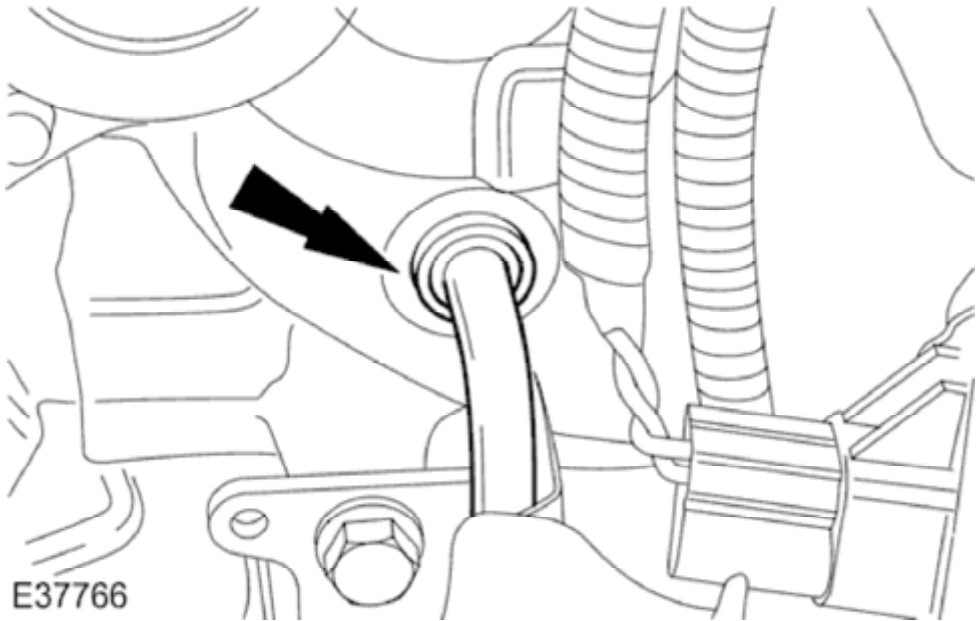
- 4. Detach the engine wiring harness.

2004 XK RANGE - Engine - 303-01



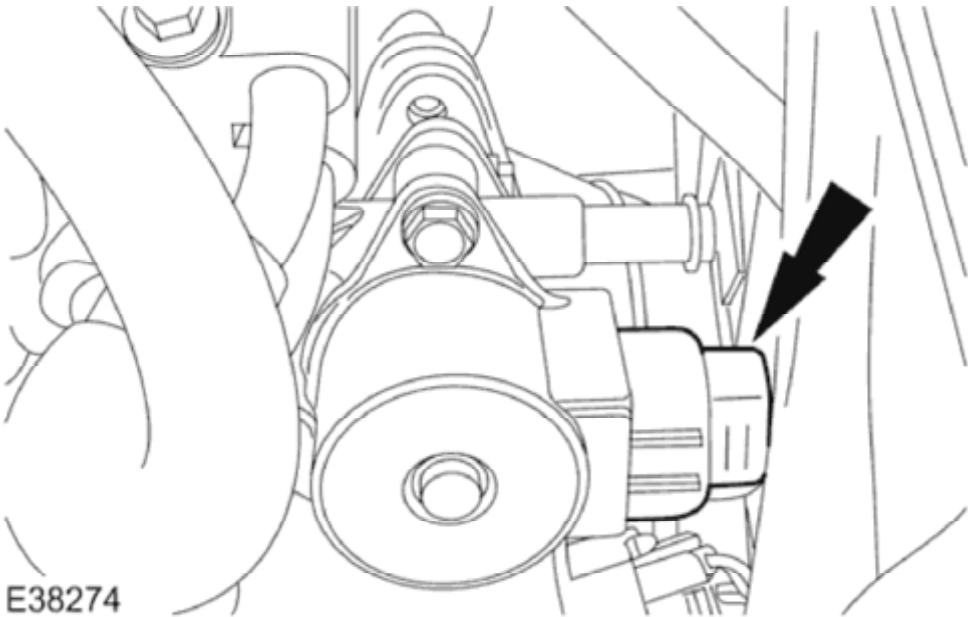
E38197

5. Disconnect the hose.



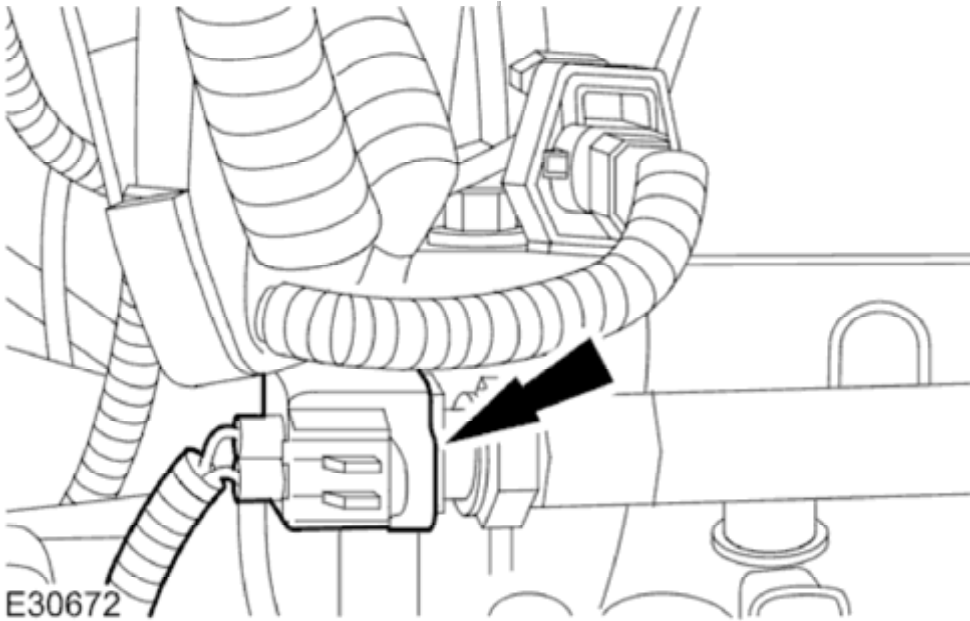
E37766

6. Disconnect the pipe.



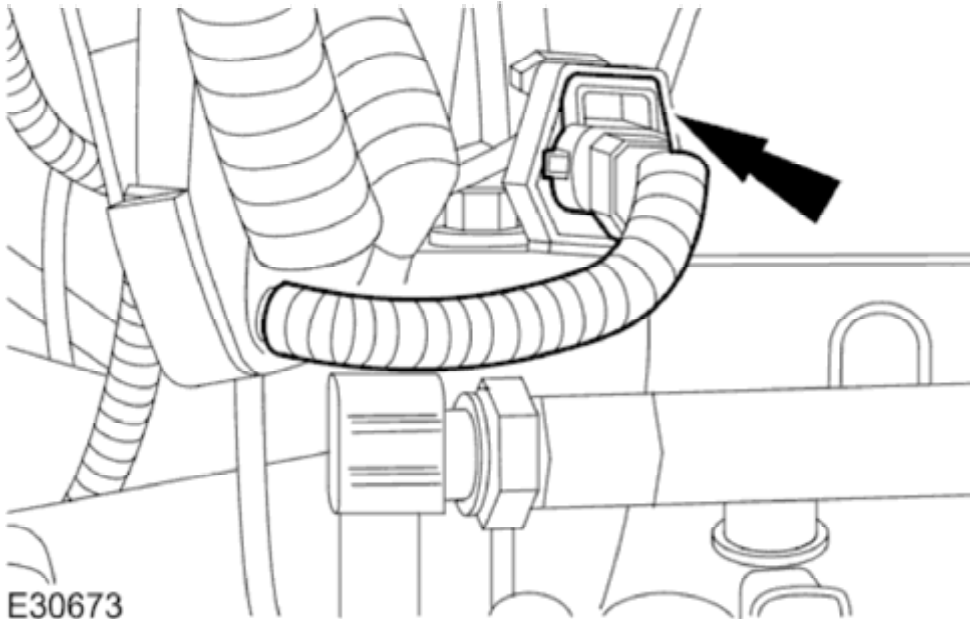
E38274

7. Disconnect the exhaust gas recirculation (EGR) valve electrical connector.

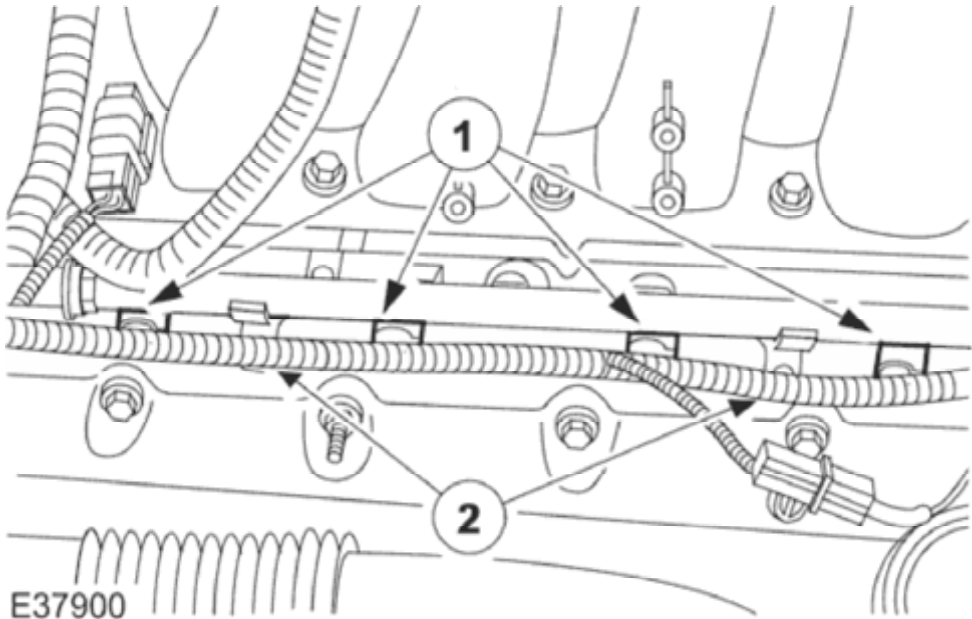


E30672

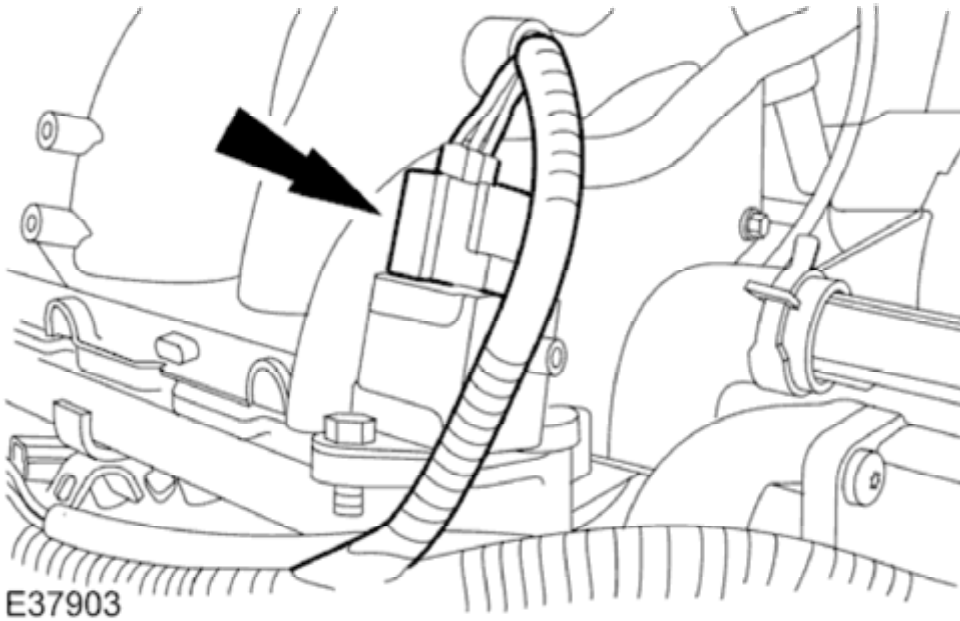
8. Disconnect the fuel temperature sensor electrical connector.




9. Disconnect the right-hand camshaft position (CMP) sensor.



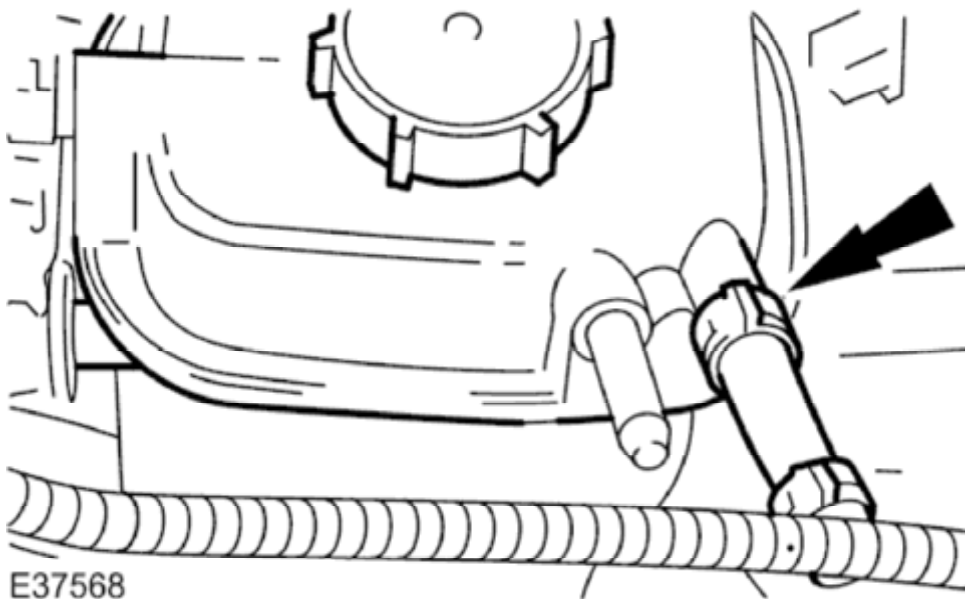
10. Detach the wiring harness.
1. Disconnect the electrical connectors.
2. Detach the wiring harness.



11. Disconnect the fuel pressure regulator electrical connector.

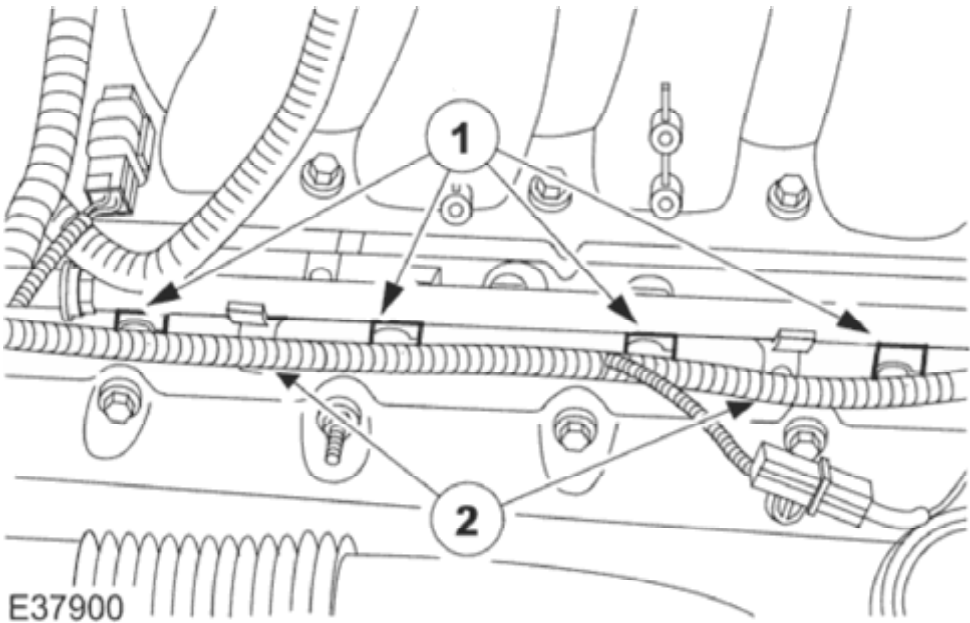
12.  **WARNING:**
TO AVOID HOT COOLANT OR STEAM BLOWING OUT OF THE COOLING SYSTEM, USE EXTREME CARE WHEN REMOVING THE COOLANT EXPANSION TANK PRESSURE CAP. WAIT UNTIL THE ENGINE HAS COOLED DOWN, THEN INSULATE THE COOLANT PRESSURE CAP WITH A SUITABLE CLOTH AND SLOWLY LOOSEN THE COOLANT EXPANSION TANK PRESSURE CAP UNTIL THE COOLING SYSTEM PRESSURE IS RELEASED. DO NOT REMOVE THE COOLANT EXPANSION TANK PRESSURE CAP. STEP BACK WHILE THE PRESSURE IS RELEASED FROM THE SYSTEM. WHEN ALL OF THE PRESSURE HAS BEEN RELEASED SLOWLY REMOVE THE COOLANT EXPANSION TANK PRESSURE CAP (STILL WITH THE SUITABLE CLOTH IN POSITION) FROM THE COOLANT EXPANSION TANK. FAILURE TO FOLLOW THIS INSTRUCTION MAY RESULT IN PERSONAL INJURY.

Release the cooling system pressure.



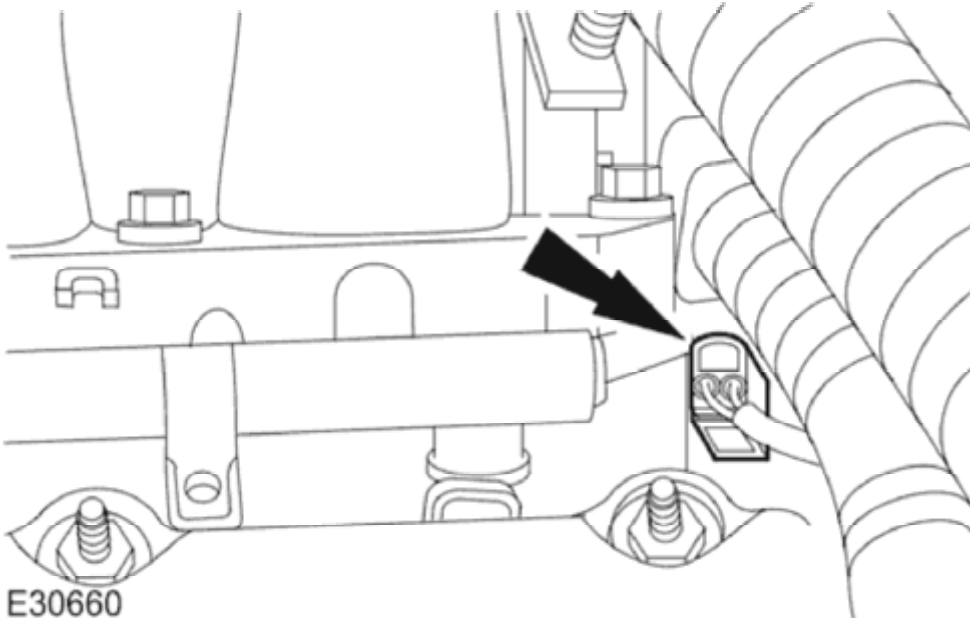
2004 XK RANGE - Engine - 303-01

13. Disconnect the coolant hose from the expansion tank.



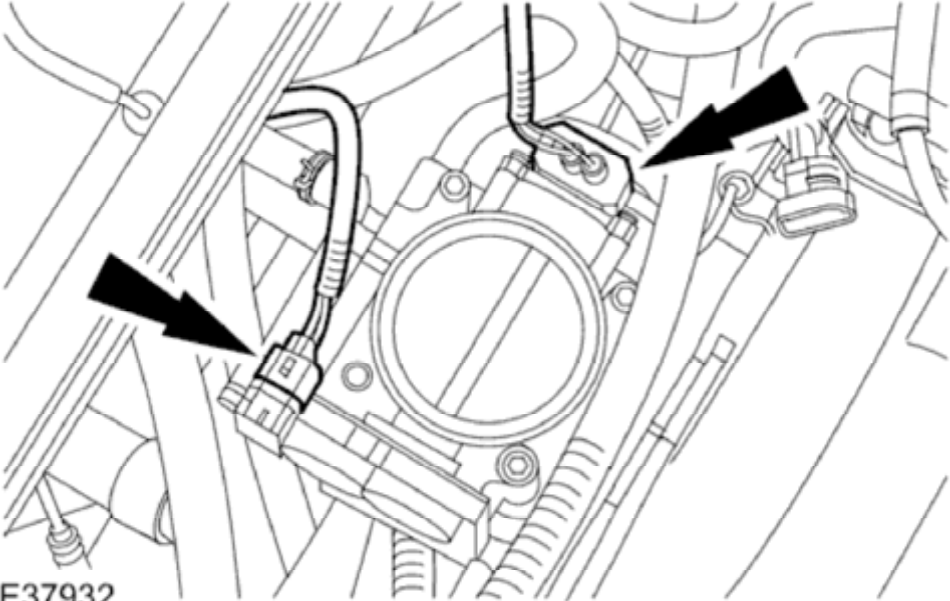
14. **NOTE:**
Right hand shown, left hand similar.

- Detach the wiring harness.
- 1. Disconnect the electrical connectors.
 - 2. Detach the wiring harness.



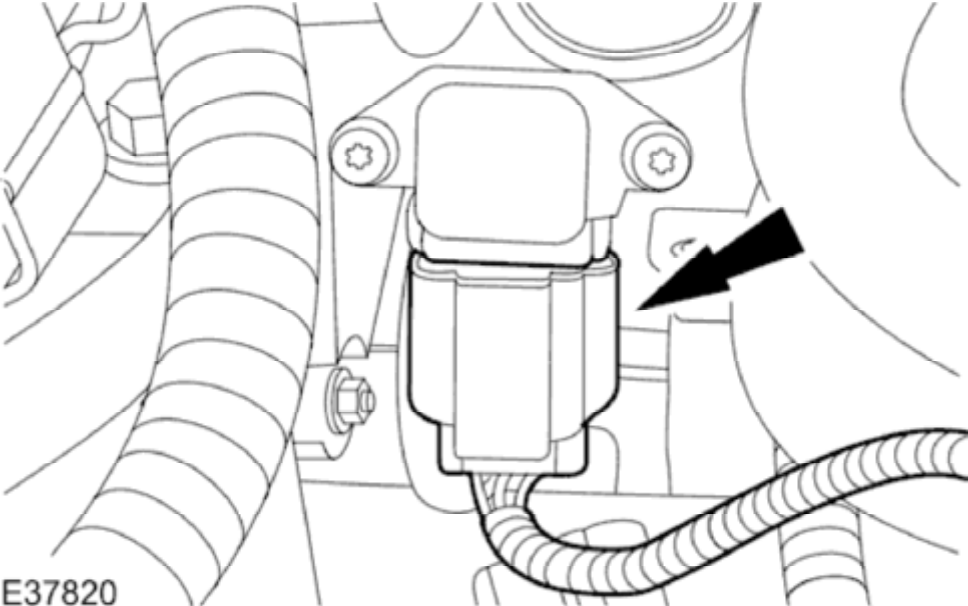
15. Disconnect the electrical connector.

2004 XK RANGE - Engine - 303-01



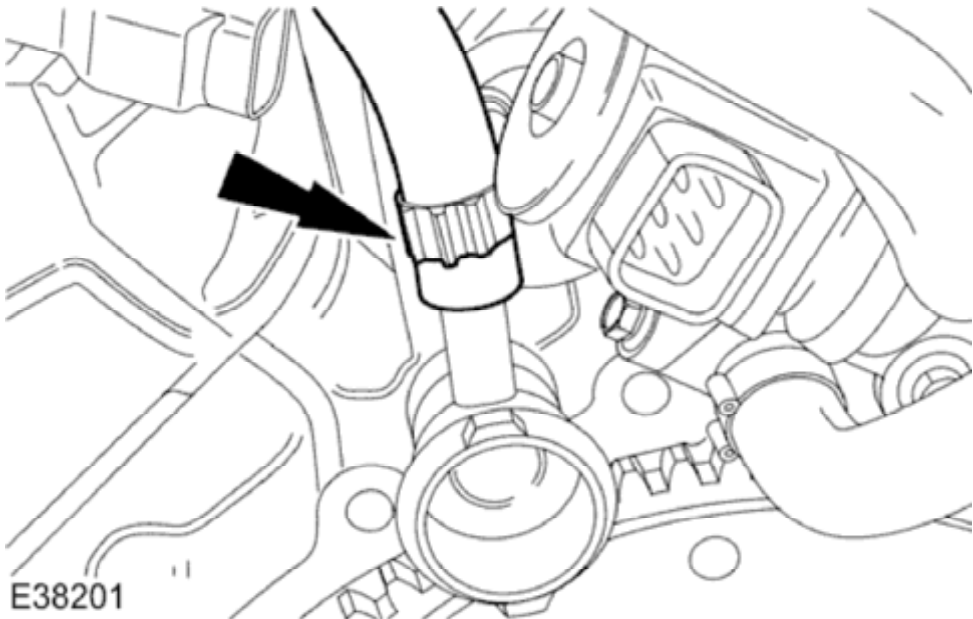
E37932

16. Disconnect the throttle body electrical connectors.

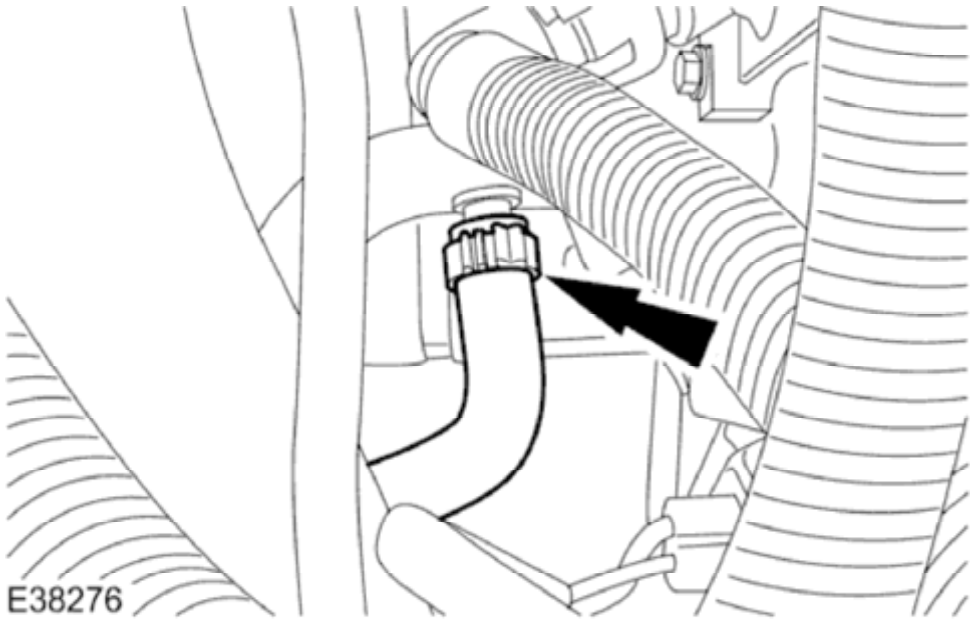


E37820

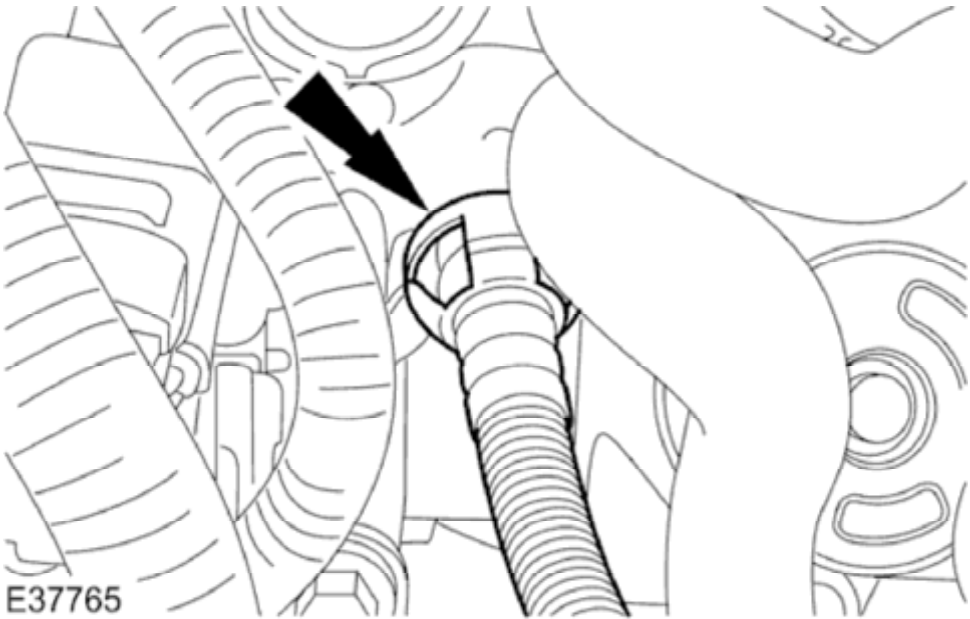
17. Disconnect the manifold absolute pressure (MAP) sensor electrical connector.



18. Disconnect the coolant hose.

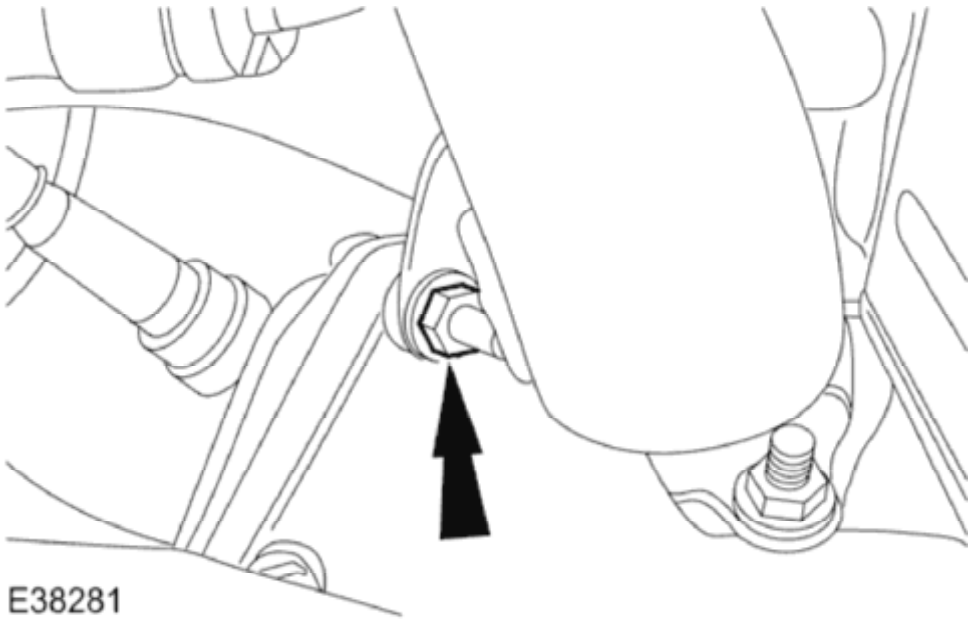


19. Disconnect the coolant hose.



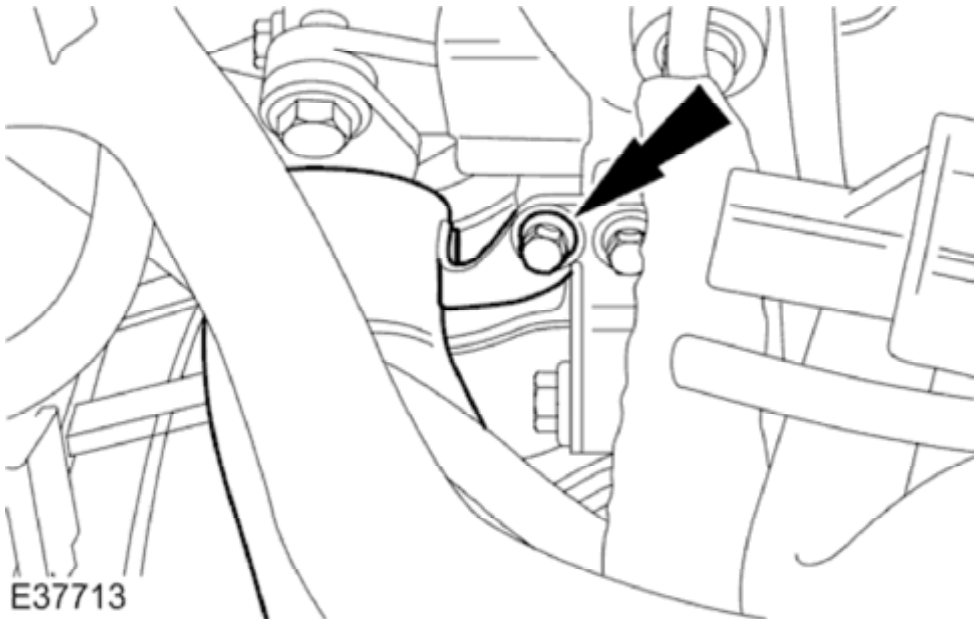
E37765

20. Disconnect the hose.

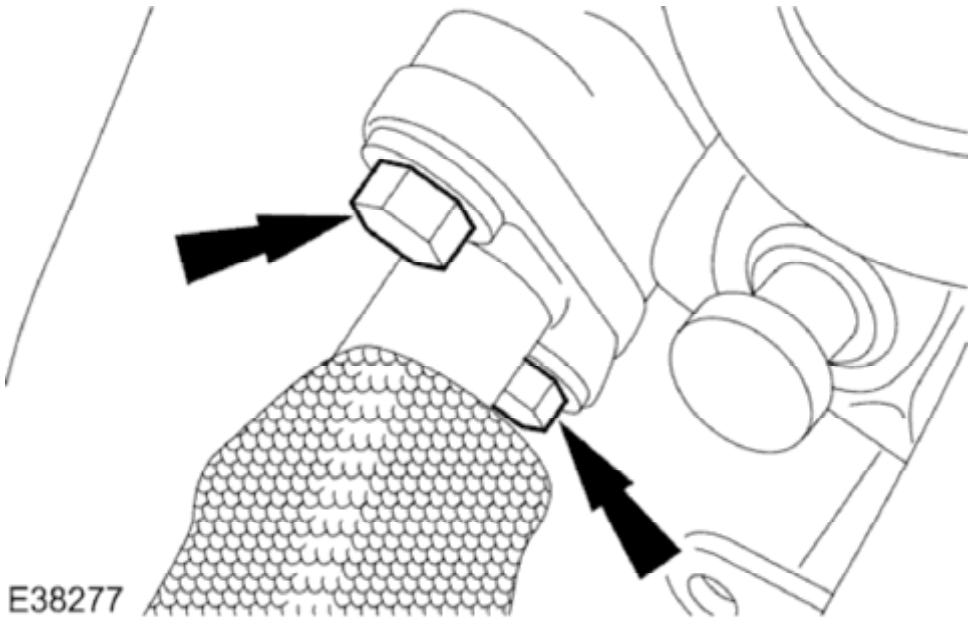


E38281

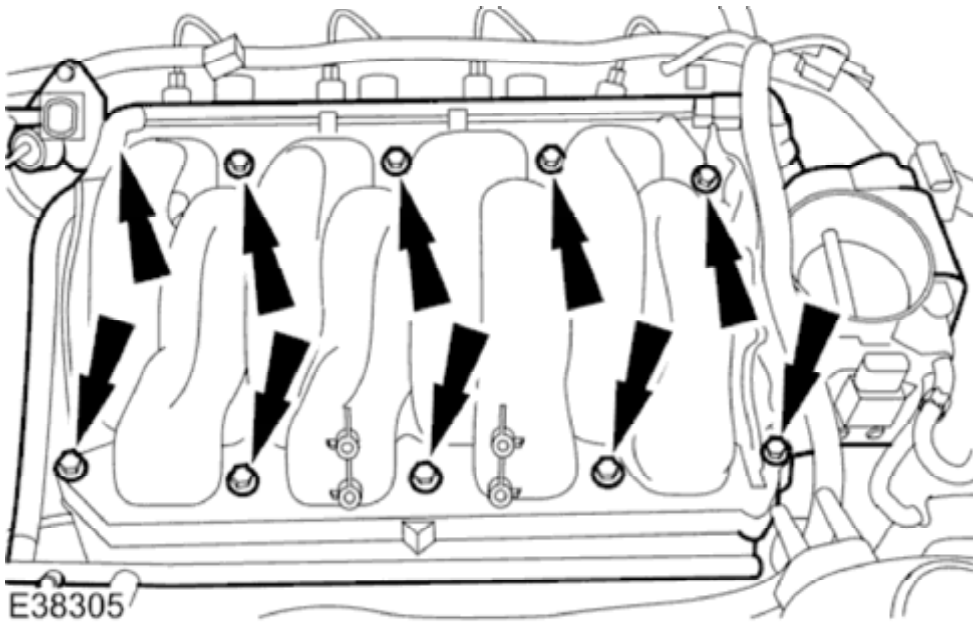
21. Remove the exhaust manifold to exhaust gas recirculation (EGR) valve tube heat shield retaining nut.



22. Remove the exhaust manifold to EGR valve tube heat shield.

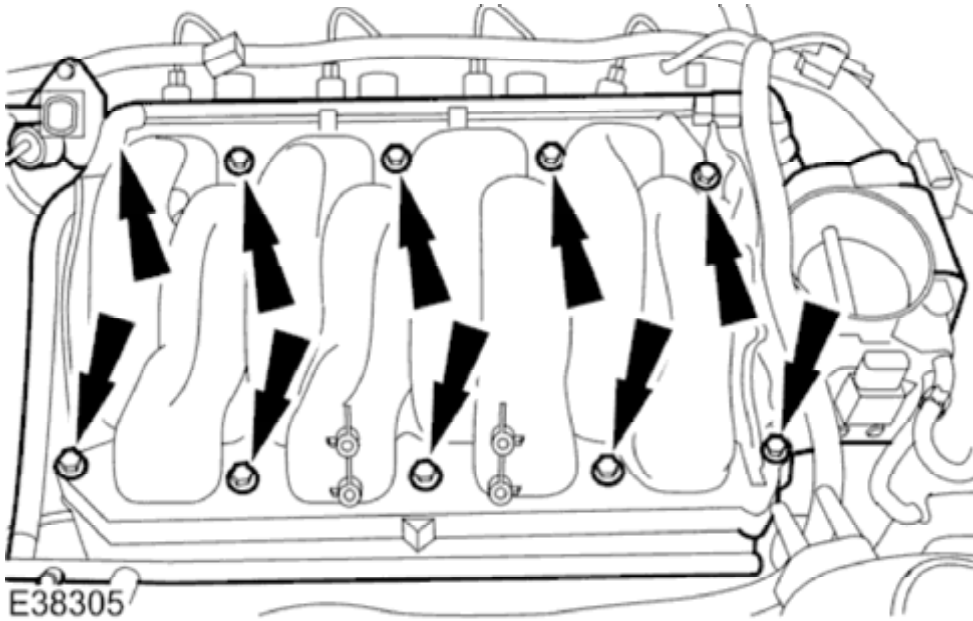


23. Remove the exhaust manifold to EGR valve tube retaining bolts.
• Remove and discard the gasket.



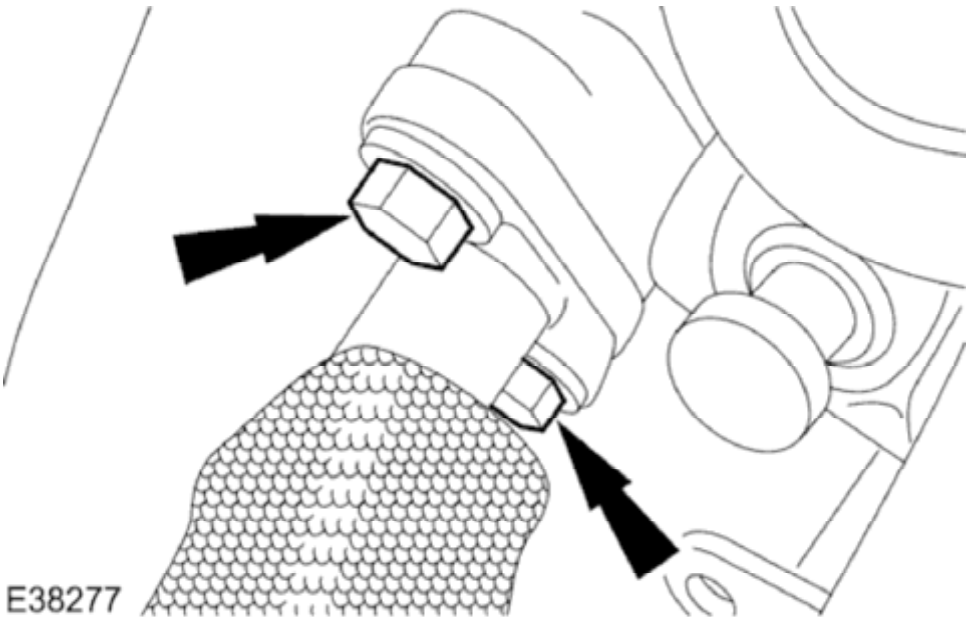
- 24. Remove the intake manifold.
 - Remove and discard the gaskets.

Installation



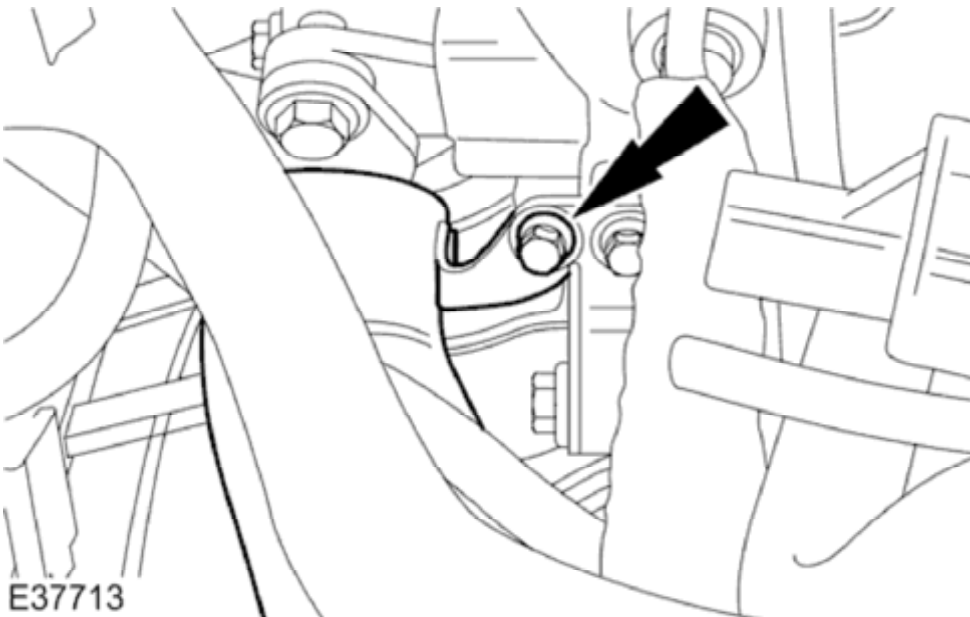
- 1. Install the intake manifold.
 - Install new gaskets.
 - Tighten to 22 Nm.

2004 XK RANGE - Engine - 303-01



E38277

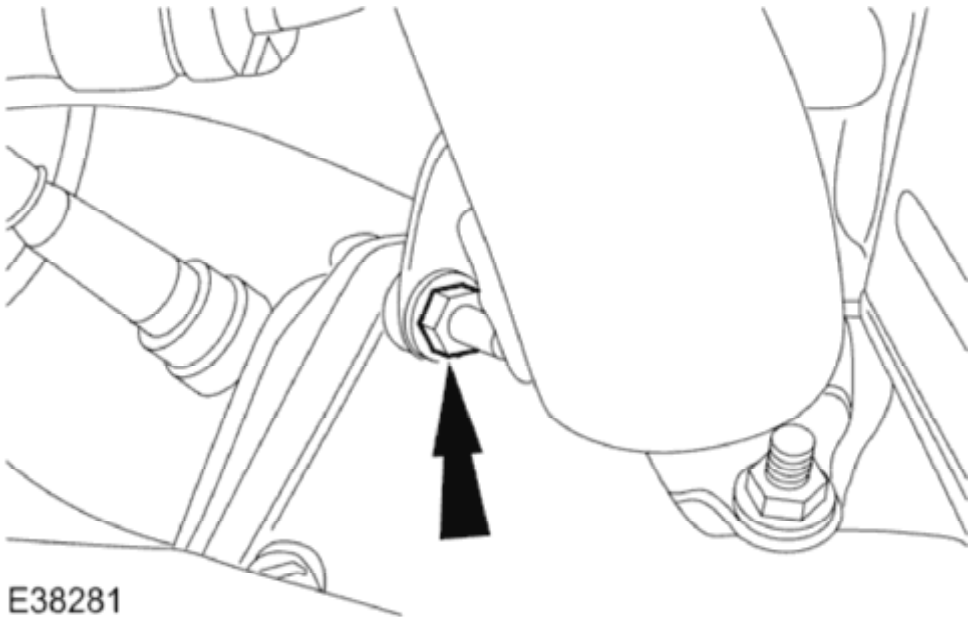
- 2. Install the exhaust manifold to EGR valve tube retaining bolts.
 - Install a new gasket.
 - Tighten to 21 Nm.



E37713

- 3. Install the exhaust manifold to EGR valve tube heat shield.
 - Tighten to 9 Nm.

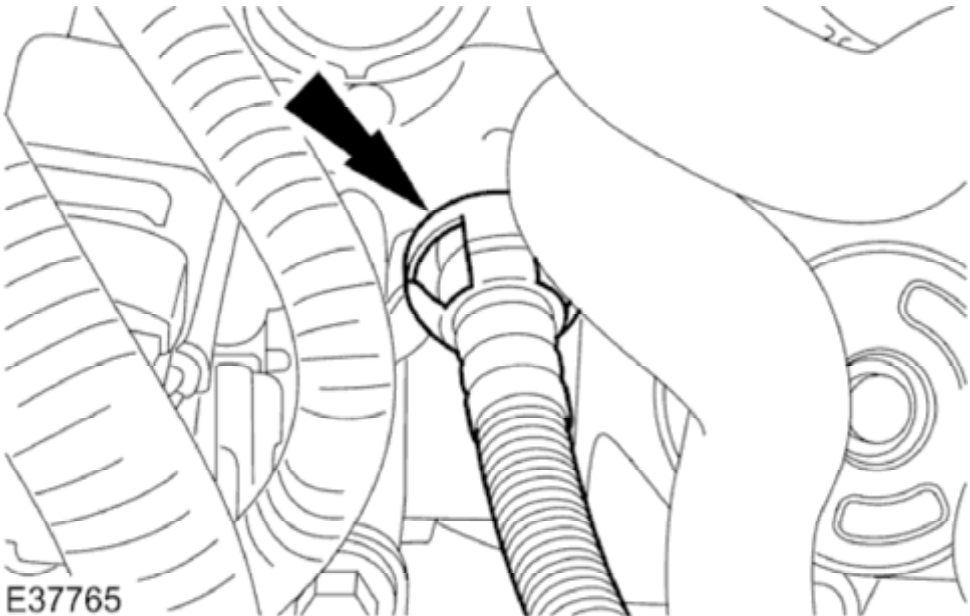
2004 XK RANGE - Engine - 303-01



E38281

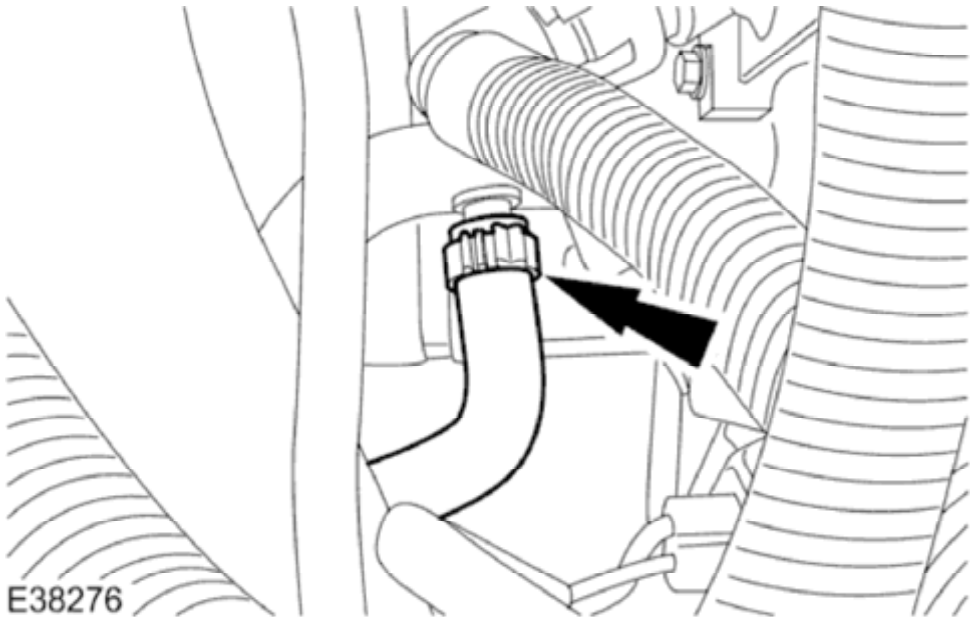
- 4. Install the exhaust manifold to EGR valve tube heat shield retaining nut.

- Tighten to 60 Nm.



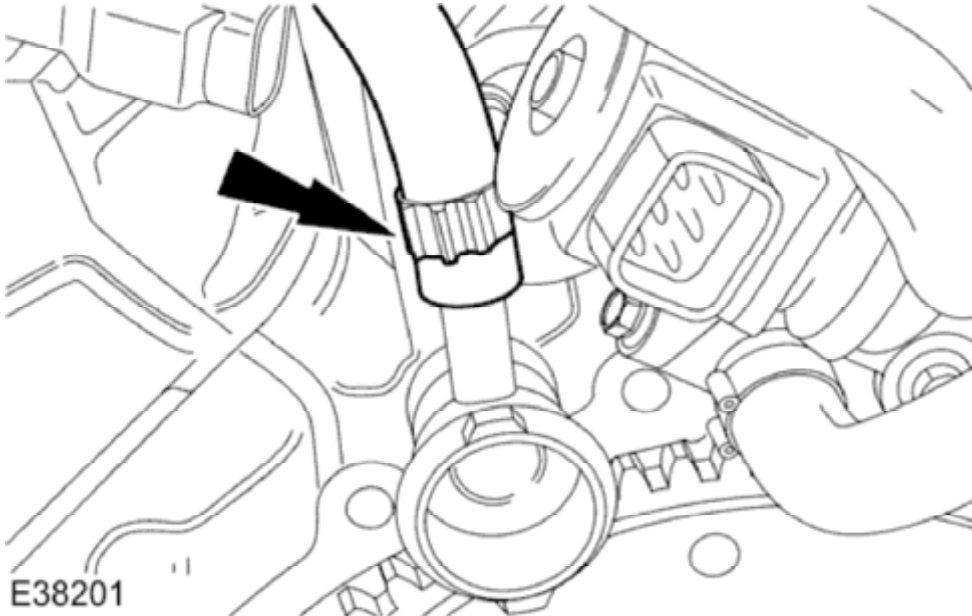
E37765

- 5. Connect the hose.



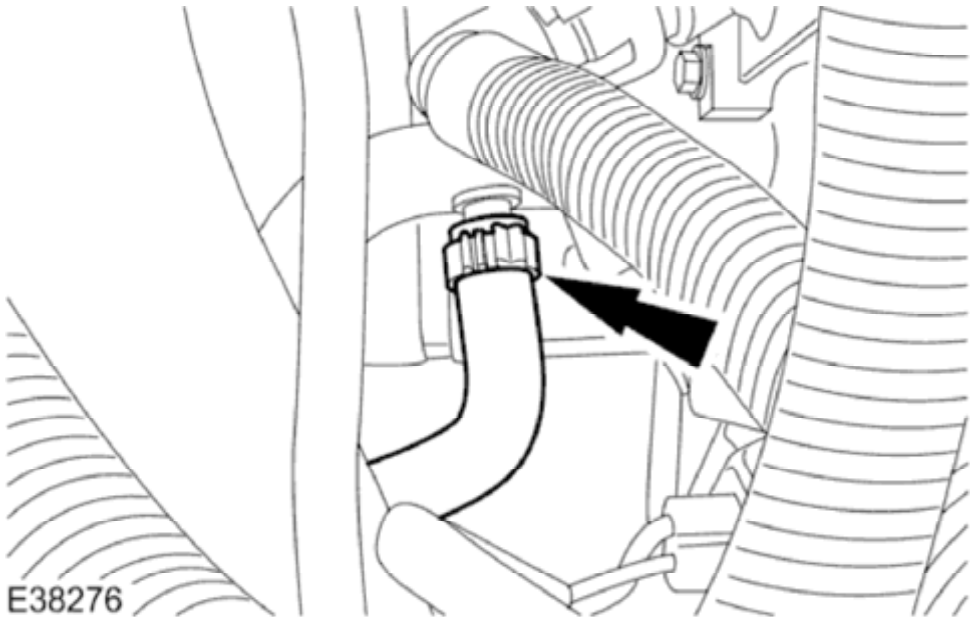
E38276

6. Connect the coolant hose.

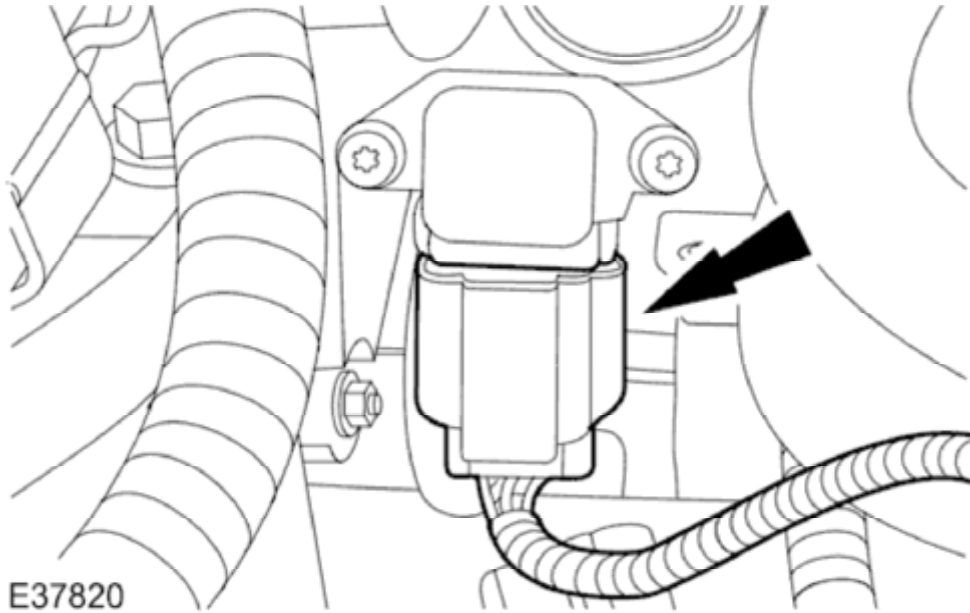


E38201

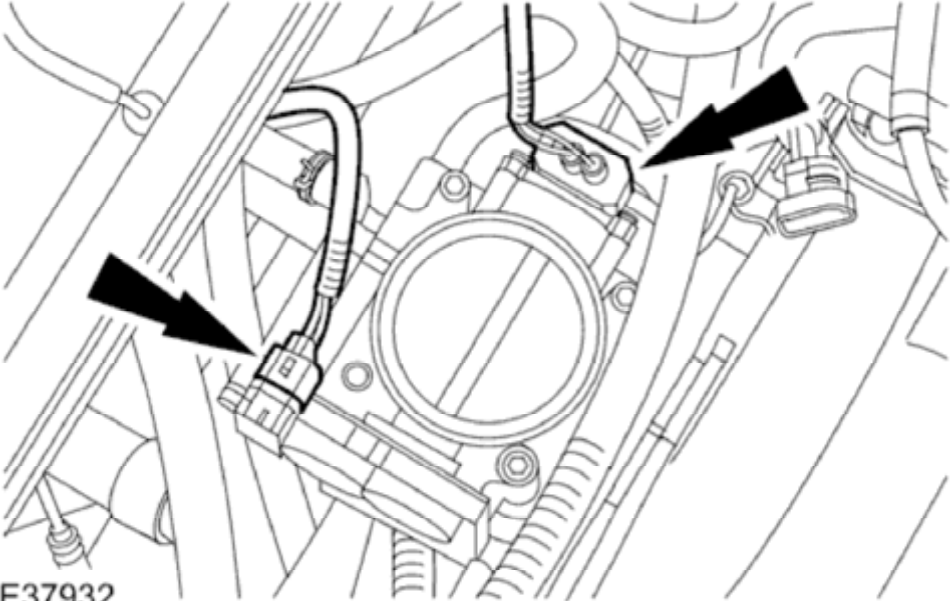
7. Connect the coolant hose.



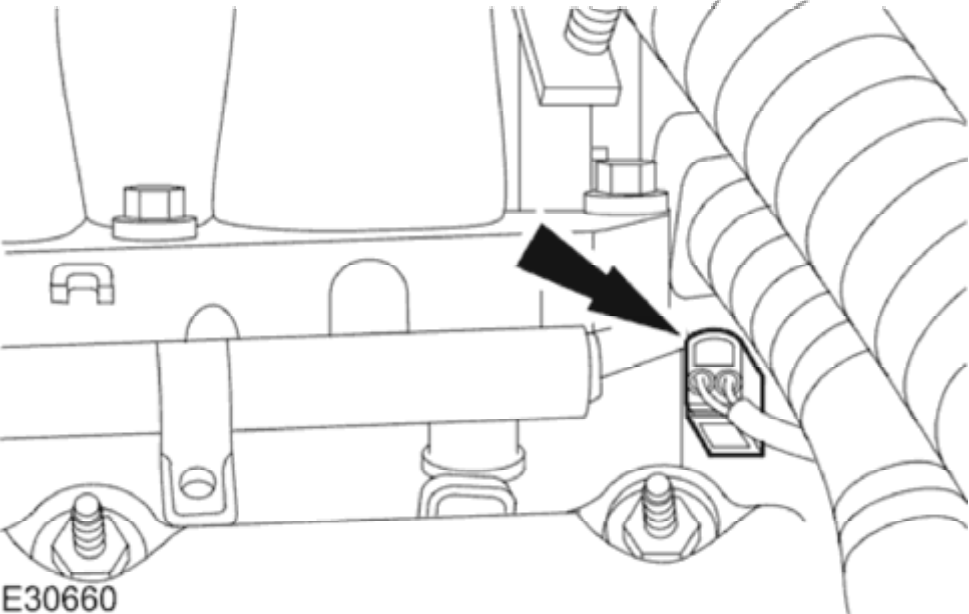
8. Connect the electrical connector.



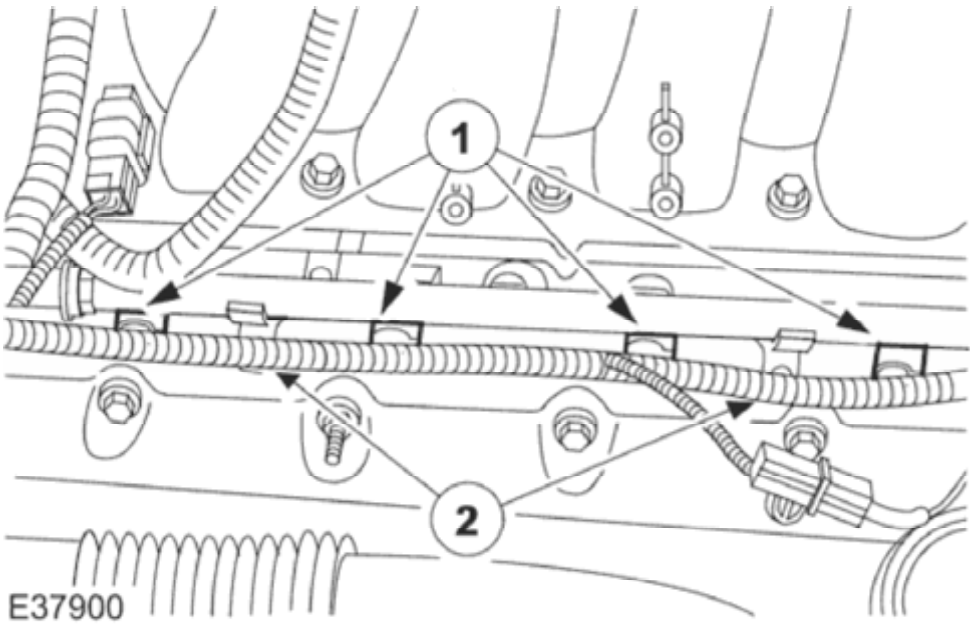
9. Connect the manifold absolute pressure (MAP) sensor electrical connector.



E37932
10. Connect the throttle body electrical connectors.

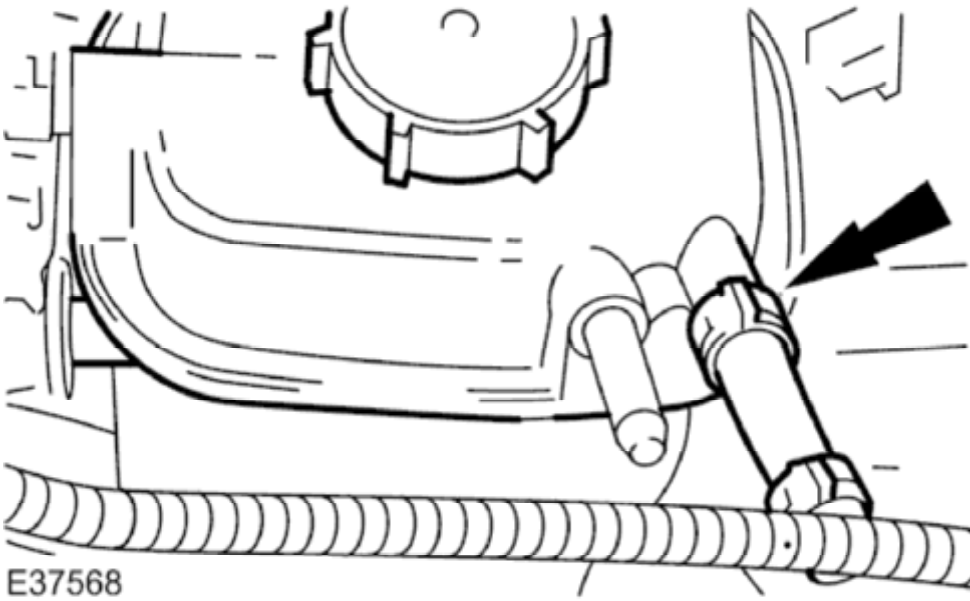


E30660
11. Connect the CMP electrical connector.

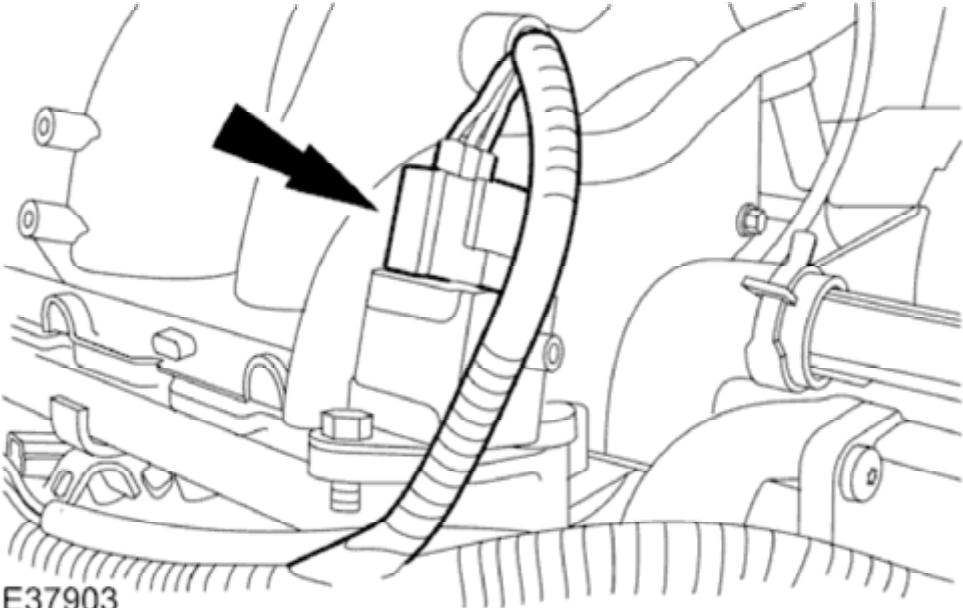


12. **NOTE:**
Right hand shown, left hand similar.

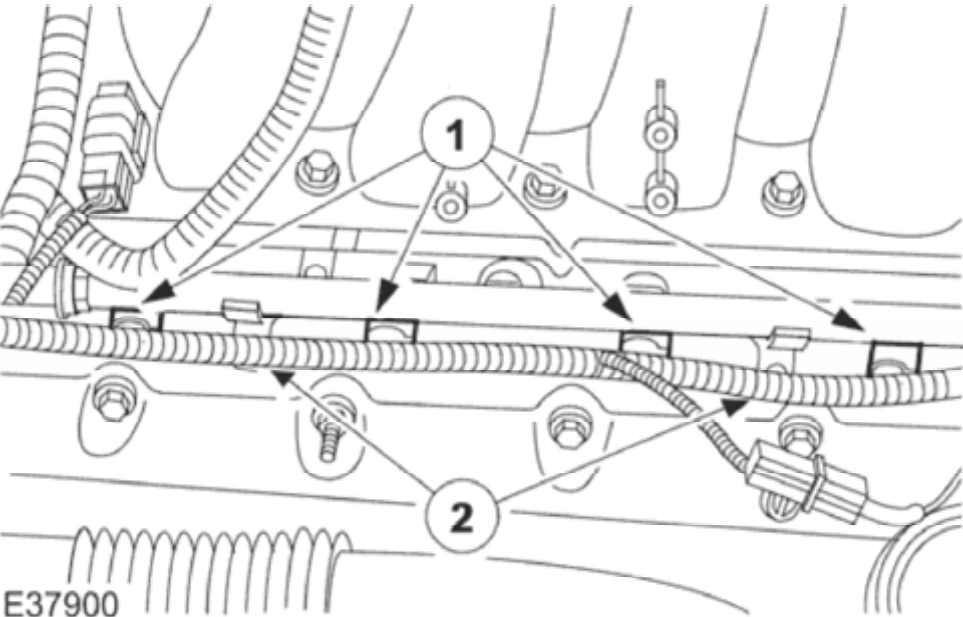
- Attach the wiring harness.
- 1. Connect the electrical connectors.
 - 2. Attach the wiring harness.



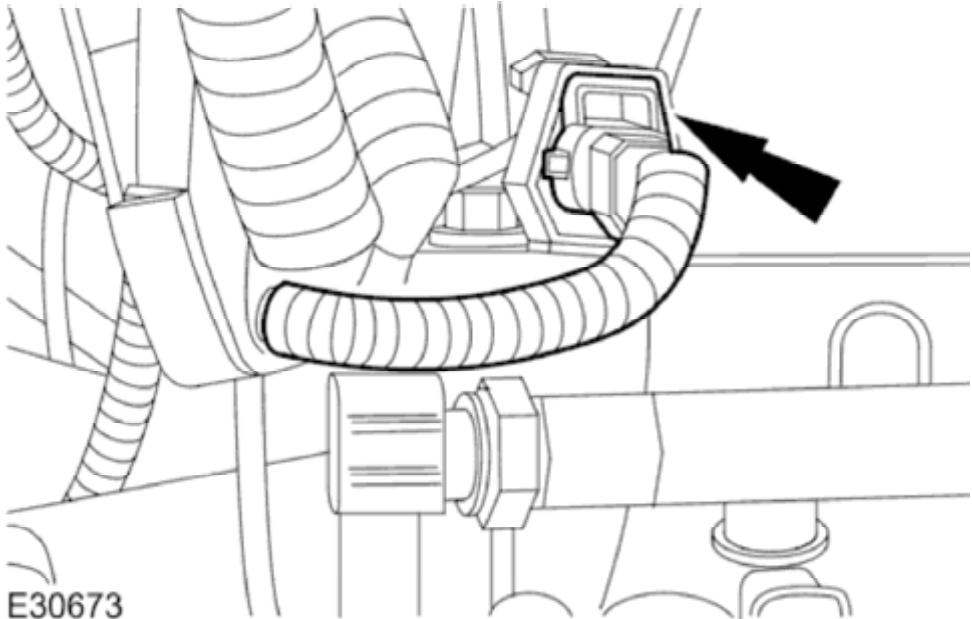
13. Connect the hose to the expansion tank.



14. Connect the fuel pressure regulator electrical connector.

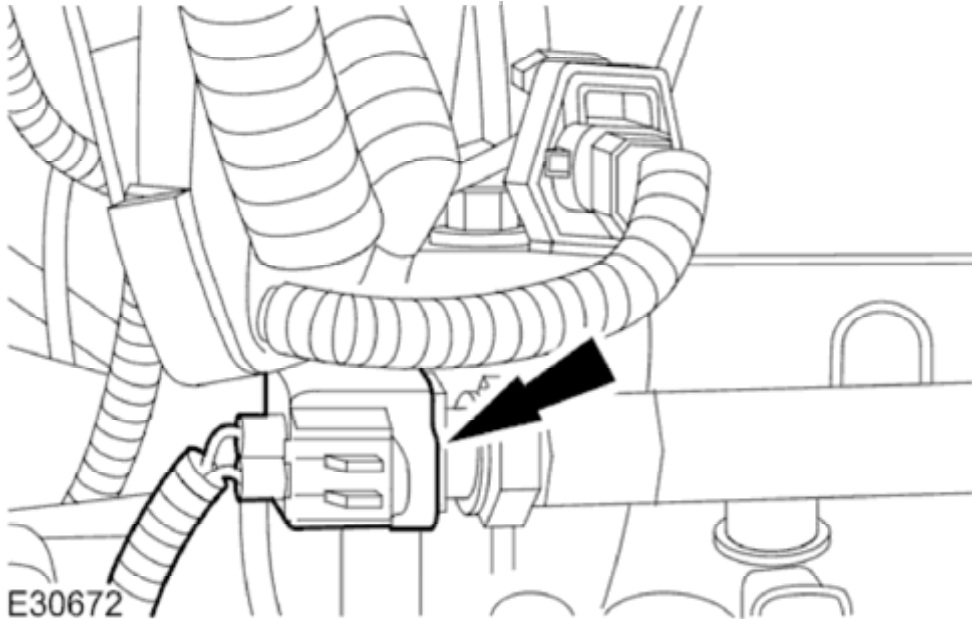


15. Attach the wiring harness.
1. Connect the electrical connectors.
2. Attach the wiring harness.



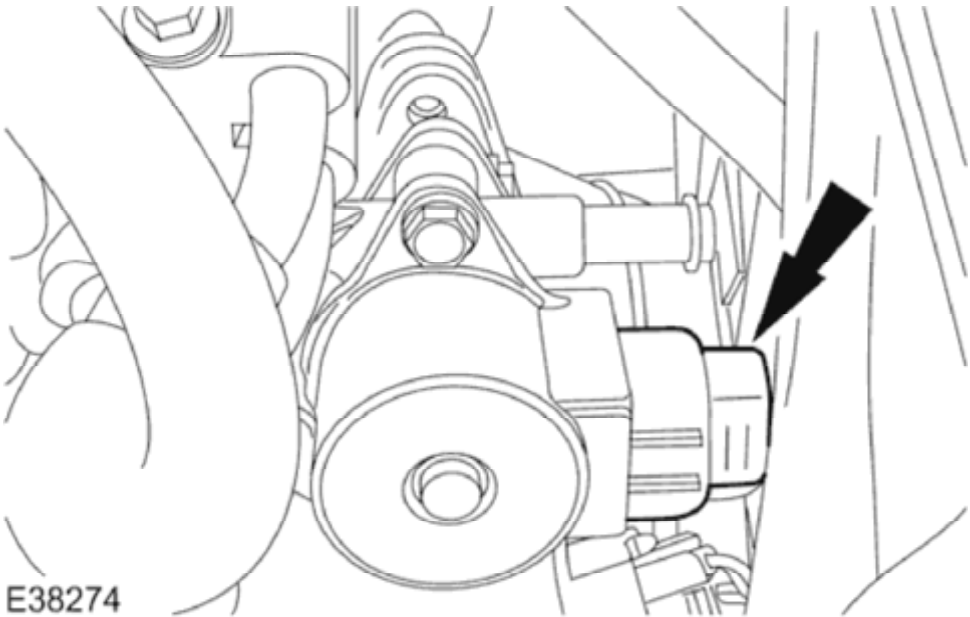
E30673

16. Connect the right-hand CMP sensor.



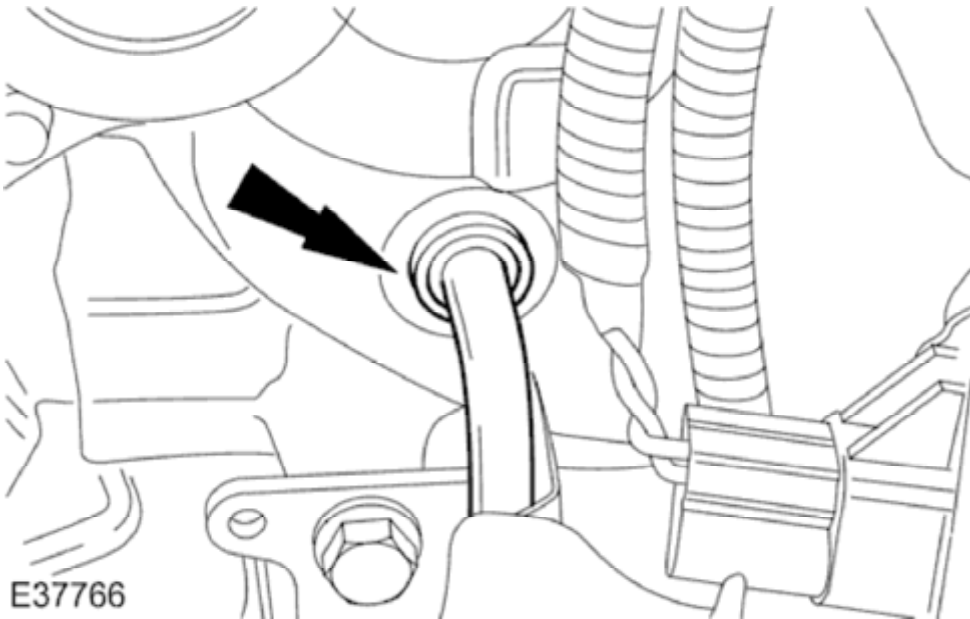
E30672

17. Disconnect the fuel temperature sensor electrical connector.



E38274

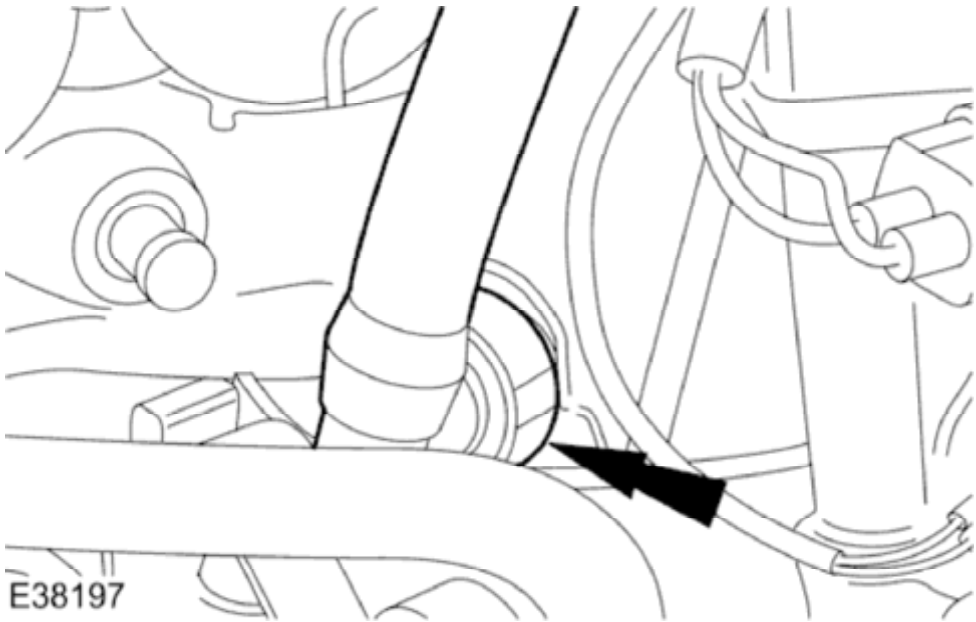
18. Connect the EGR valve electrical connector.



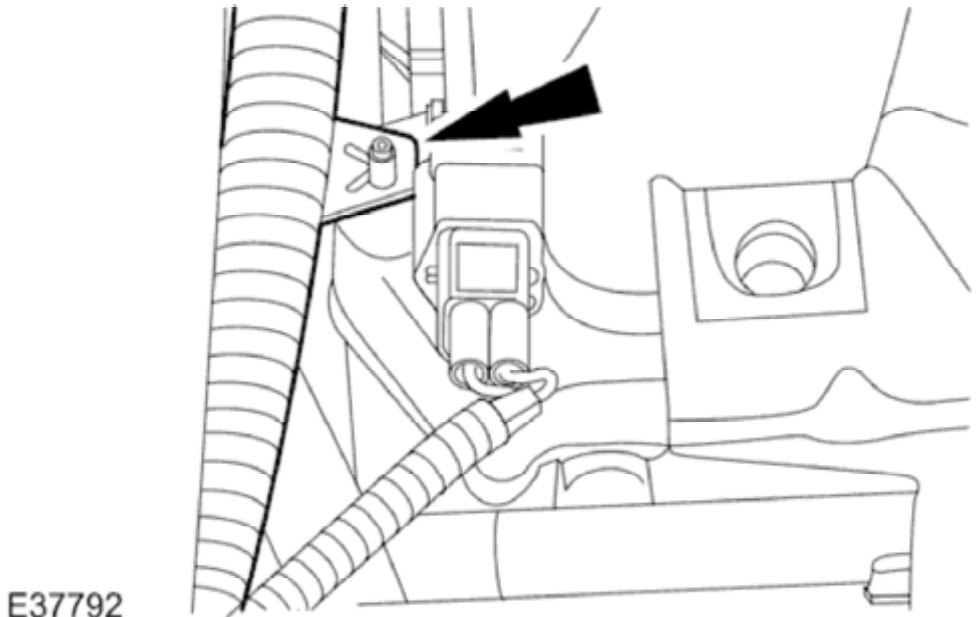
E37766

19. Connect the pipe.

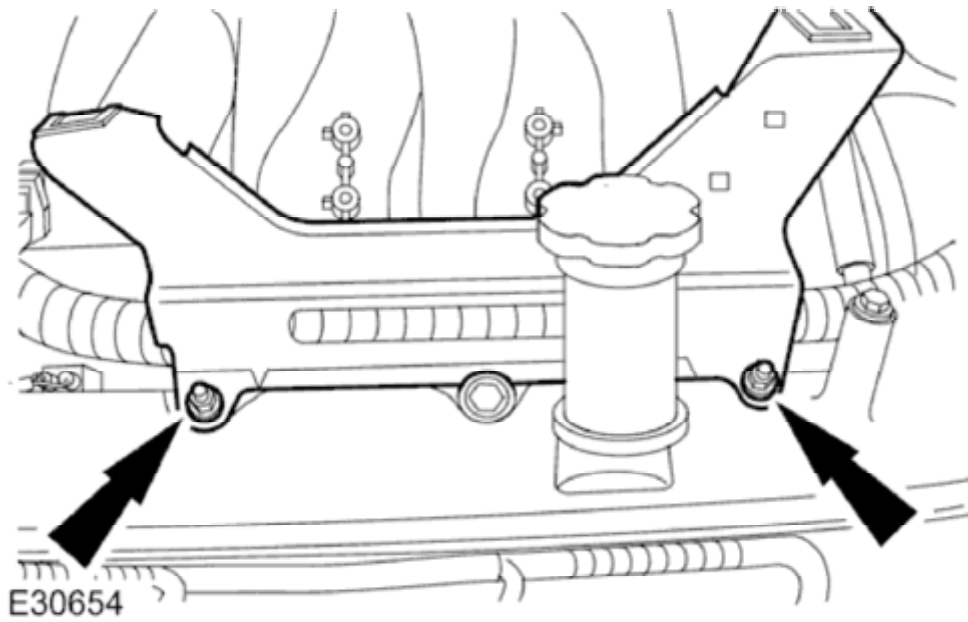
2004 XK RANGE - Engine - 303-01



20. Connect the hose.



21. Attach the engine wiring harness.



22. **NOTE:**
Left hand shown, right hand similar.

- Install the engine cover retaining brackets.
- Detach the knock sensor (KS) electrical connectors.
 - Tighten to 6 Nm.

23. Install the air cleaner outlet pipe. <<303-12>>

24. Check and top up the cooling system.