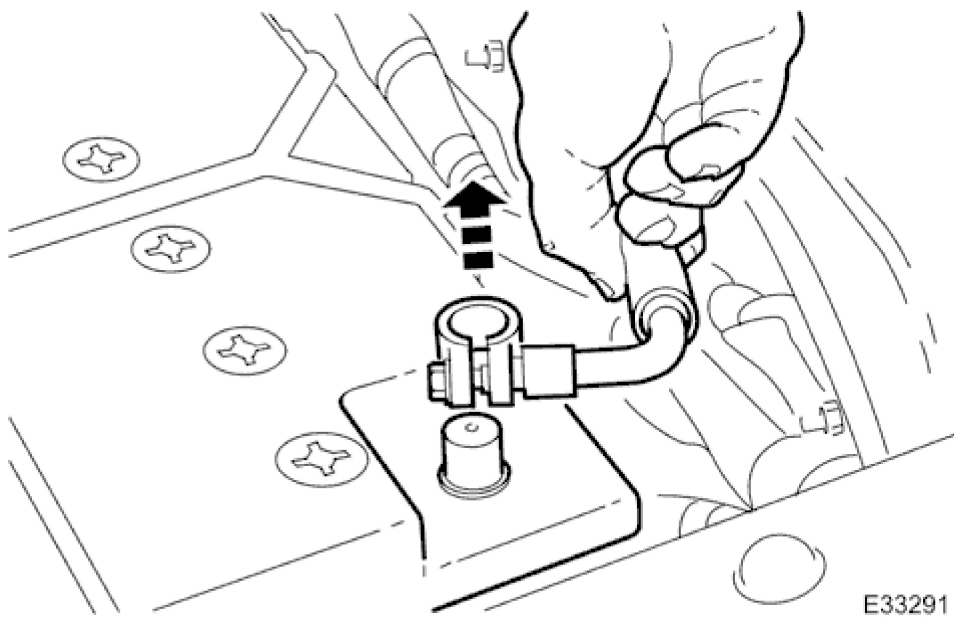


Steering Column Multifunction Switch 86.65.92

Removal

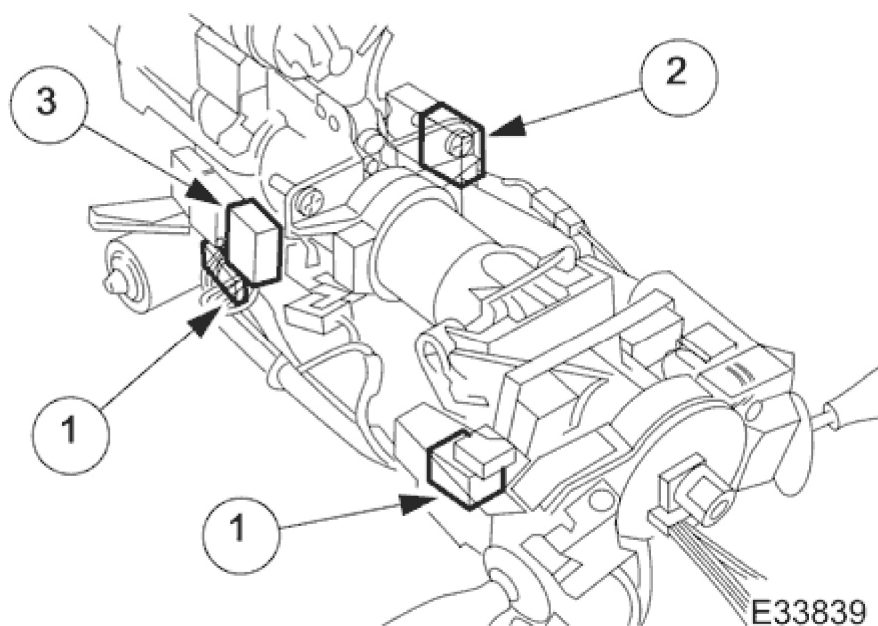
1. Remove underscuttle; refer to Section <<501-05>>.
2. Remove the steering column lower cowl; refer to Section <<501-05>>.
3. Remove the steering column upper cowl; refer to Section <<501-05>>.
4. Remove the battery cover.



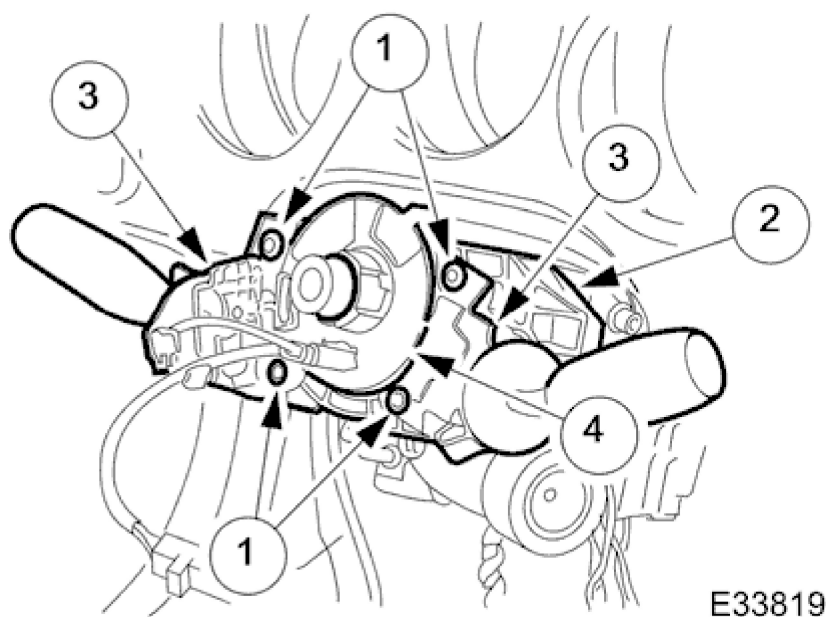
5.  **WARNING:**
WAIT AT LEAST ONE MINUTE BEFORE STARTING WORK, BECAUSE THE AIR BAG IS EQUIPPED WITH A BACK-UP POWER SOURCE AND MAY BE INADVERTENTLY DEPLOYED.
Disconnect the battery ground cable.

6. Remove the driver's air bag module; refer to Section 501-20.
7. Ensure that the steering wheel is in the straight ahead position.
8. Remove the steering wheel; refer to this section.

2003 XK RANGE - Steering Column Switches - 211-05



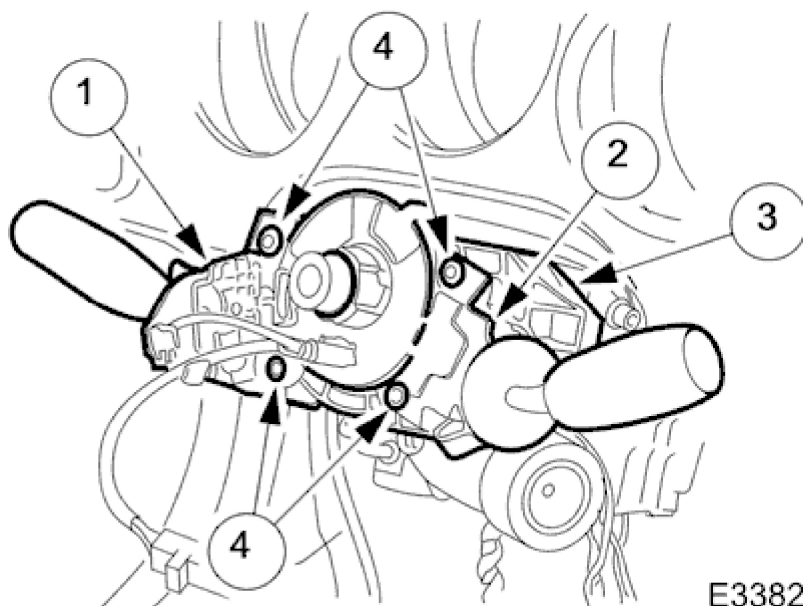
9. Disconnect the harness multiplugs.
1. Disconnect the cancellation module multiplugs.
 2. Release the wiper/washer multiplug from the mounting bracket and disconnect it.
 3. Release the flasher/headlamp switch multiplug from the mounting bracket and disconnect it.



10. Remove the switch/assemblies cancellation module.
1. Unscrew and remove the bolts securing the switch assemblies/cancellation module to the mounting bracket.
 2. Remove the steering column switchgear assembly.
 3. Release the switch assemblies from the module and mounting bracket.
 4. Remove the switch assemblies/cancellation module.

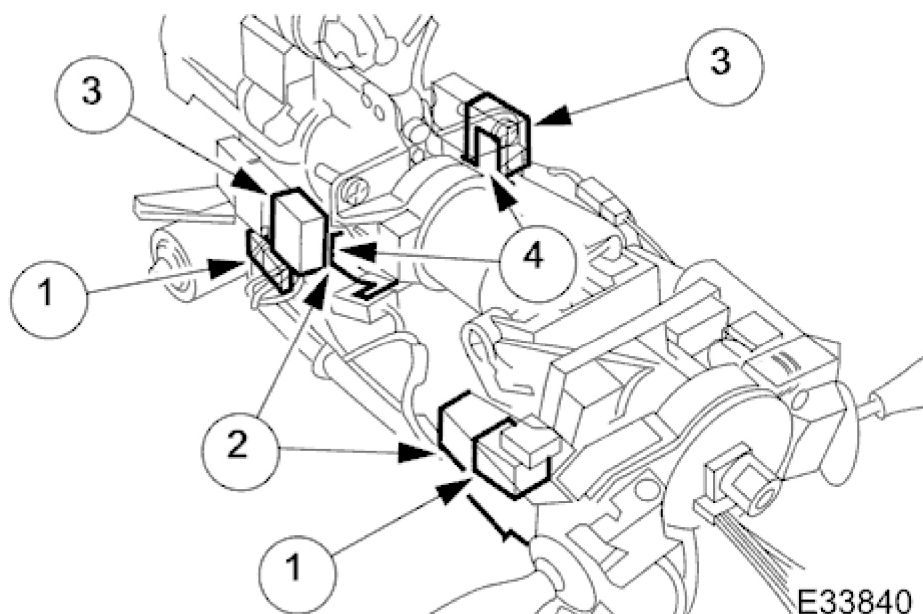
Installation

2003 XK RANGE - Steering Column Switches - 211-05



E33823

1. Install and align the cancellation module and switch assemblies to the steering column mounting bracket.
 1. Install and align the flasher switch assembly to the module mounting bracket.
 2. Install and align the washer switch assembly to the module mounting bracket.
 3. Install and align the switchgear assembly to the steering column.
 4. Install and tighten the switch assemblies/cancellation module securing screws.



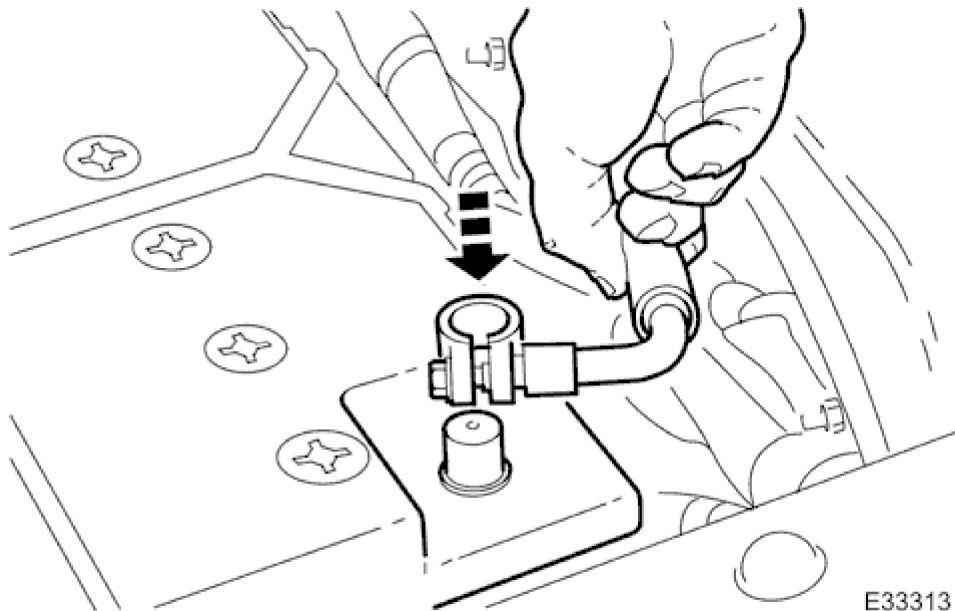
E33840

2. Connect the module harness multiplugs and install in the mounting bracket.
 1. Connect the module harness multiplugs.
 2. Install the multiplugs in the mounting bracket.
 3. Connect the switch assembly multiplugs.
 4. Install the multiplugs in the mounting bracket.
3. Install the steering wheel; refer to this section.
4. Install the air bag; refer to Section 501-20.
5. Install the steering column upper cowl; refer to Section <<501-05>>.

2003 XK RANGE - Steering Column Switches - 211-05

6. Install the steering column lower cowl; refer to Section <<501-05>>.

7. Install the underscuttle; refer to Section <<501-05>>.



E33313

8. Reconnect the battery ground cable.

9. Install the battery cover.