



XK8

DATE 2/97

1-78

SERVICE

# ADMINISTRATION BULLETIN

## Essential Tools – XK8

MODEL 1997 MY-ON  
XK8

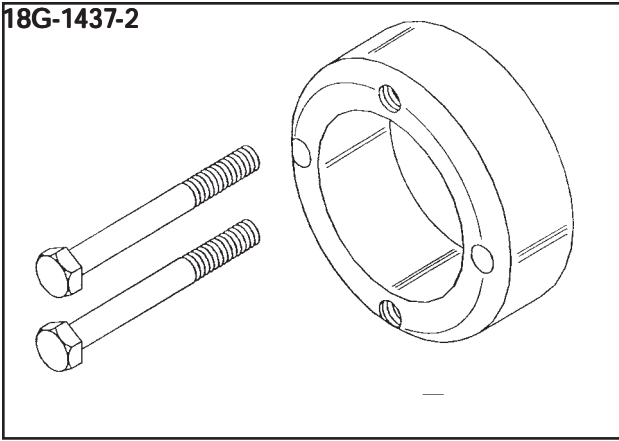
VIN  
001001-ON

The following essential tools for the XK8 have been supplied for the 1997 MY essential tool program.

| <u>TOOL NUMBER</u> | <u>TOOL DESCRIPTION</u>                    |
|--------------------|--|
| 18G-1437-2         | Front pulley lock adapter                  |
| M576-140-5         | Valve seat cutter pilot, 5mm               |
| JD215              | Camshaft setting/locking tool              |
| JD216              | Crankshaft locking peg                     |
| JD217              | Wrench, timing chain tensioner             |
| JD218              | Wedge, timing chain                        |
| JD219              | Special ball joint splitter                |
| JD220              | Dummy bearing cap                          |
| JD221              | Bore protector - connecting rod installer  |
| JD222              | Rear lifting eyes, engine                  |
| JD223              | Engine stand mounting brackets             |
| JD224              | Front hub remover                          |
| JD225              | Front hub removal collets                  |
| JD226              | Adapter, front spring compressor           |
| JD227              | Hub, holding tool                          |
| JD228              | ABS rotor nut socket                       |
| JD229              | Crankshaft rear oil seal remover/installer |
| JD231              | Remover, fuel injector                     |
| JD232              | Tappet adjusting tool                      |
| JD233              | Fan nozzle air gun                         |
| JD234              | Crankshaft front oil seal remover          |
| JD235              | Crankshaft front oil seal installer        |
| JD236              | Front hub installer                        |
| JD237              | Front hub bearing remover                  |
| JD238              | Front hub bearing installer                |
| JD239              | Upper wishbone ball joint installer        |
| JD240              | Upper wishbone ball joint remover          |
| JD241              | Monostrut bush remover                     |
| JD242              | Front suspension crossbeam bush installer  |
| JD243              | Front suspension crossbeam bush remover    |
| JD244              | Lower wishbone bush remover                |

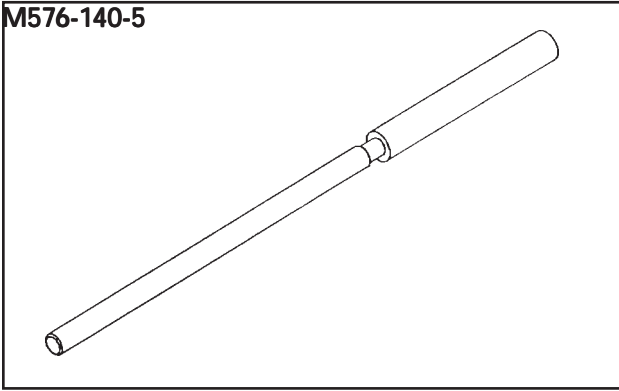
| <u>PART NUMBER</u> | <u>TOOL DESCRIPTION</u> | <u>QTY</u> |
|--------------------|-------------------------|------------|
| JAG 016/THOL       | Overlay And Hook Kit    |            |
|                    | Consisting Of:          |            |
| MS 45G             | GreenTool Board         | 1          |
| JAG 016/OL         | Toolboard Overlay       | 1          |
| 60A                | Hooks                   | 5          |
| 40A                | Hooks                   | 3          |
| 05/40              | Clips                   | 3          |
| 40EH               | Hooks                   | 1          |
| 25A                | Hooks                   | 2          |
| 100T               | Tray                    | 5          |
| 60AH               | Hooks                   | 1          |
| 60EH               | Hooks                   | 1          |
| 150EH              | Hooks                   | 4          |
| MS 45A/8XL2        | Screws                  | 36         |
| JAG 017/THOL       | Overlay And Hook Kit    |            |
|                    | Consisting Of:          |            |
| MS 45G             | GreenTool Board         | 1          |
| JAG 17/OL          | Tool Board Overlay      | 1          |
| 60A                | Hooks                   | 2          |
| 05/40              | Clips                   | 1          |
| 90AH               | Hooks                   | 6          |
| SOAH               | Hooks                   | 2          |
| 40EH               | Hooks                   | 2          |
| 95C                | Hooks                   | 5          |
| 60EH               | Hooks                   | 2          |
| 100T               | Tray                    | 2          |
| 70AH               | Hooks                   | 1          |
| MS 45A/8XL2        | Screws                  | 26         |

18G-1437-2



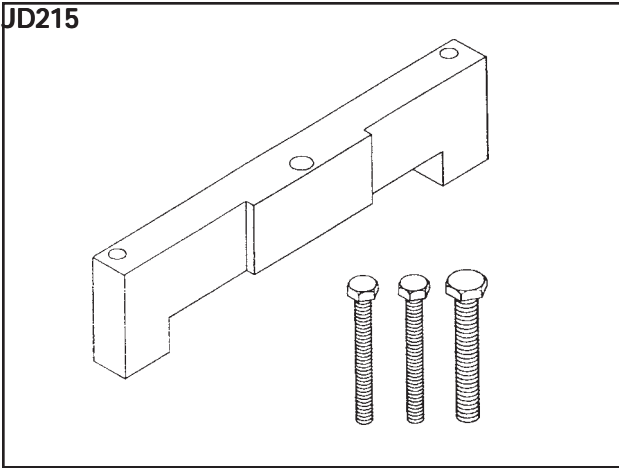
Front pulley lock adapter

M576-140-5



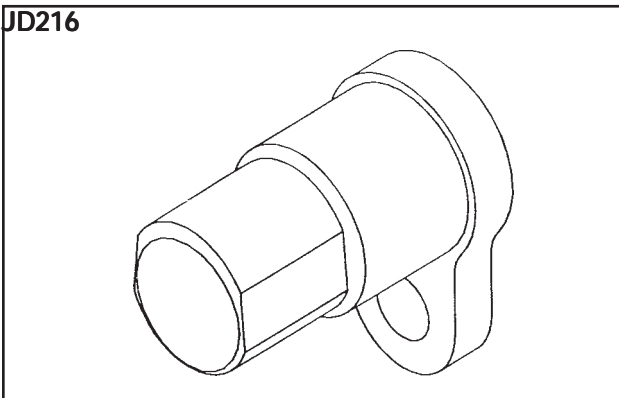
Valve seat cutter pilot, 5mm

JD215



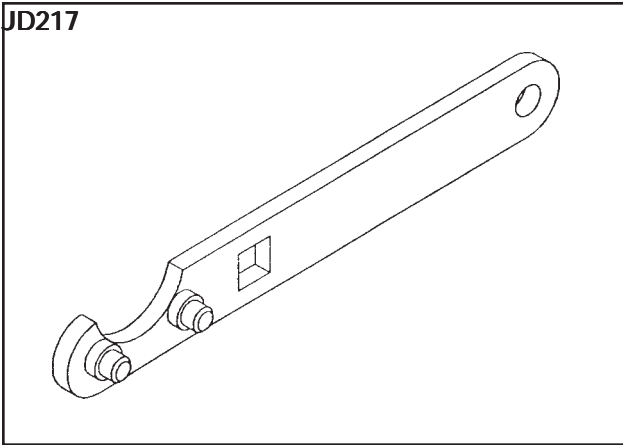
Camshaft setting/locking tool

JD216



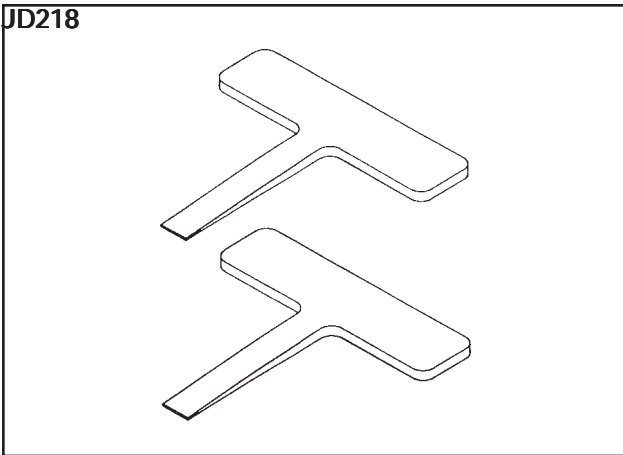
Crankshaft locking peg

JD217



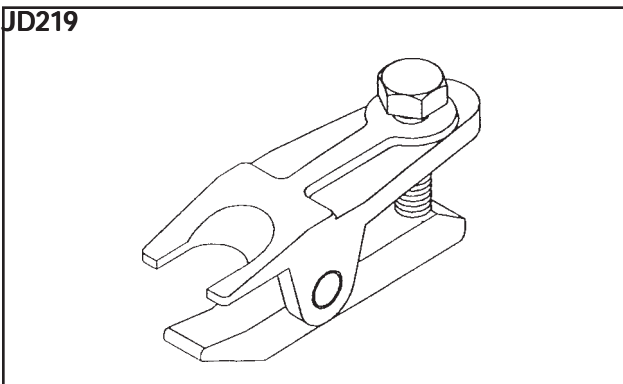
Wrench, timing chain tensioner

JD218



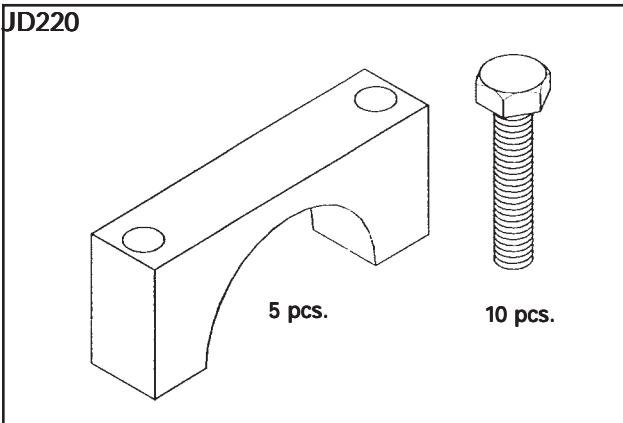
Wedge, timing chain

JD219



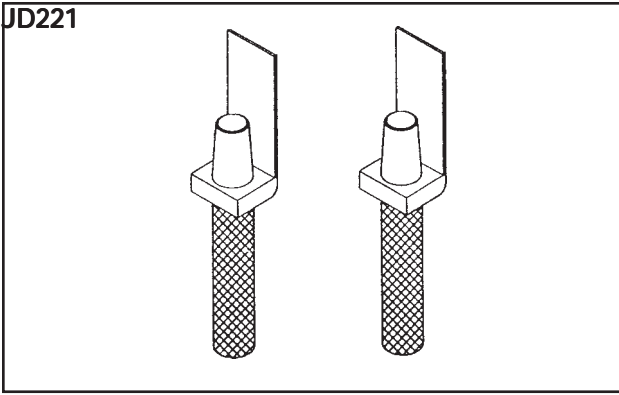
Special ball joint splitter

JD220



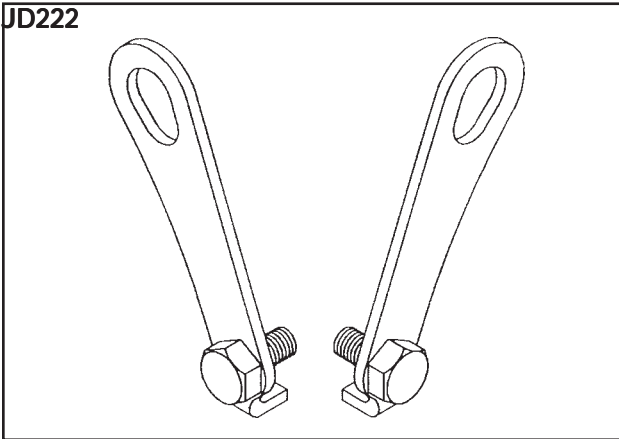
Dummy bearing cap

JD221



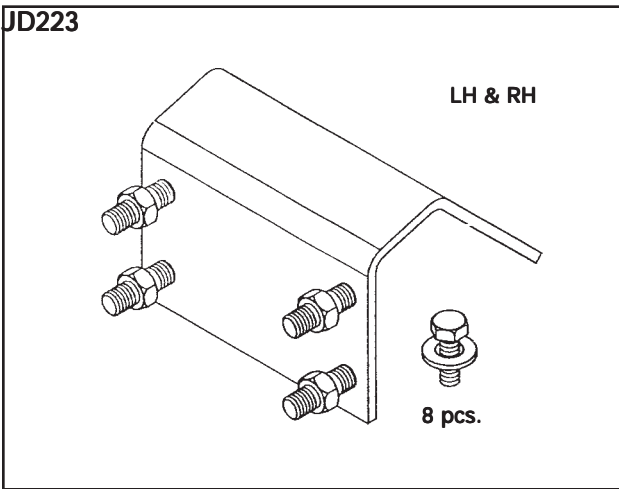
Bore protector - connecting rod installer

JD222



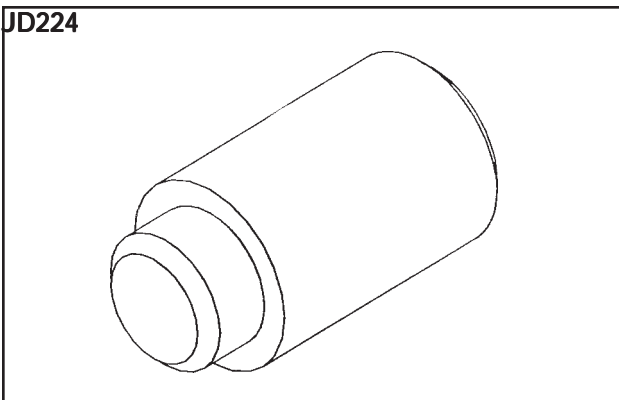
Rear lifting eyes, engine

JD223



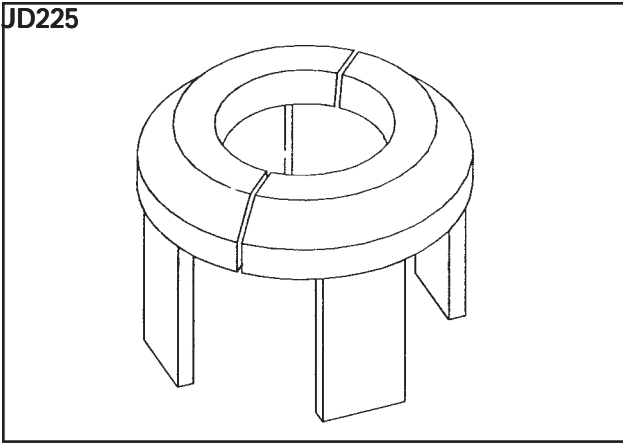
Engine stand mounting brackets

JD224



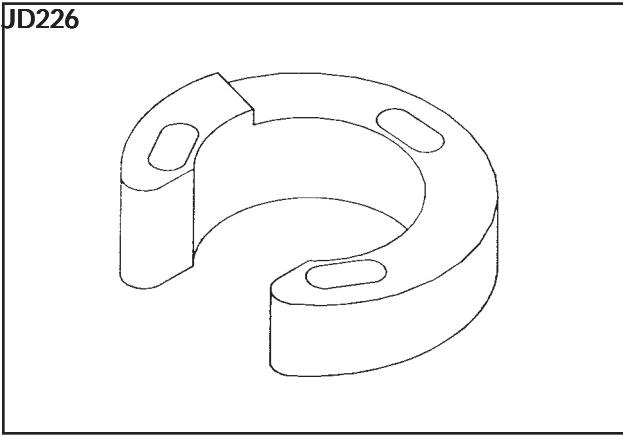
Front hub remover

JD225



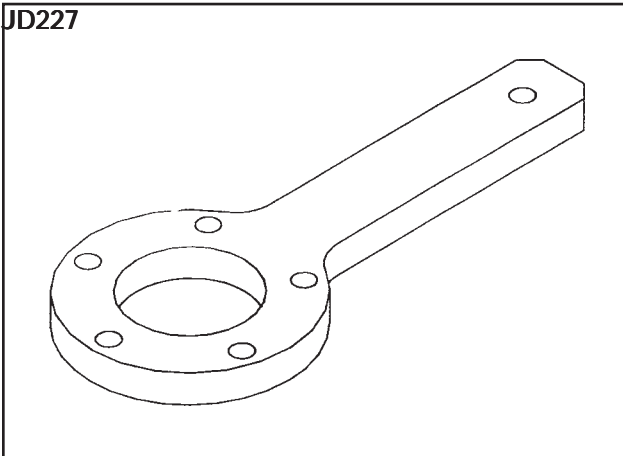
Front hub removal collets

JD226



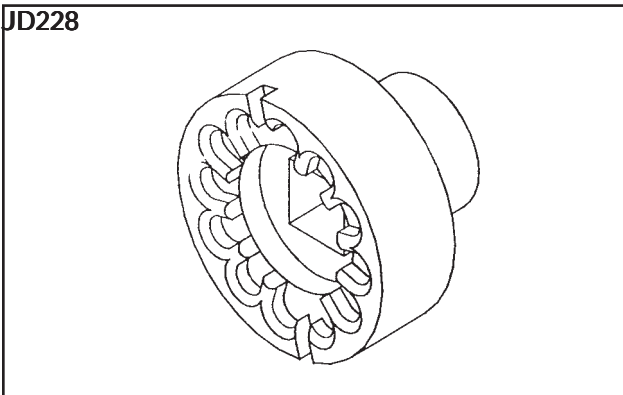
Adapter, front spring compressor

JD227

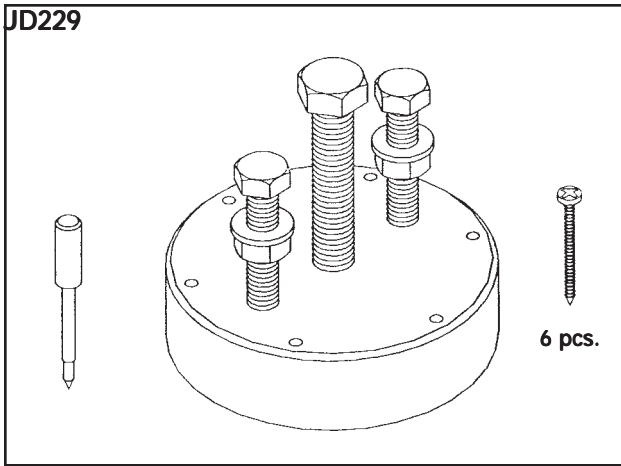


Hub, holding tool

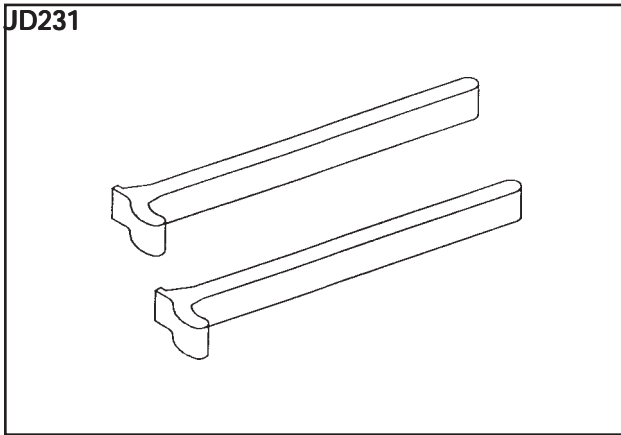
JD228



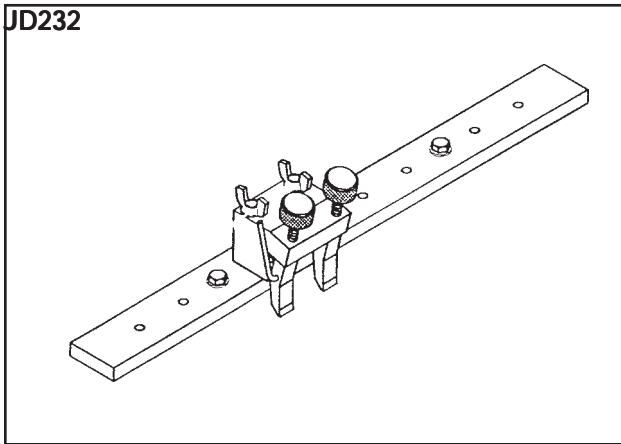
ABS rotor nut socket



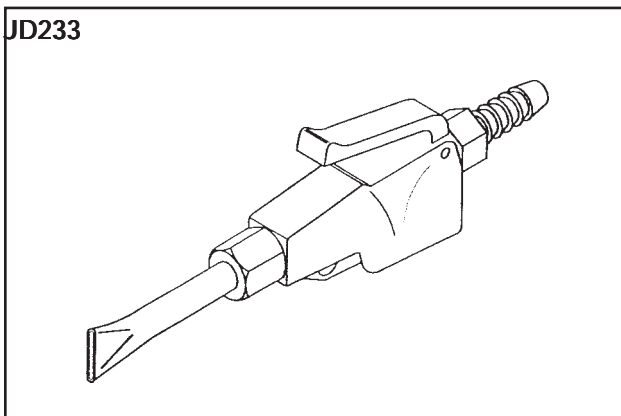
Crankshaft rear oil seal  
remover/installer



Remover, fuel injector

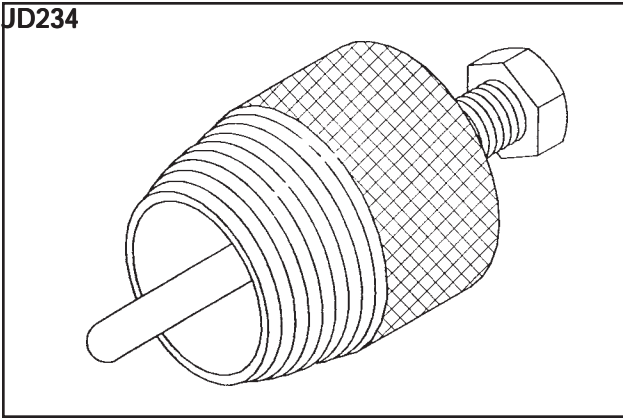


Tappet adjusting tool



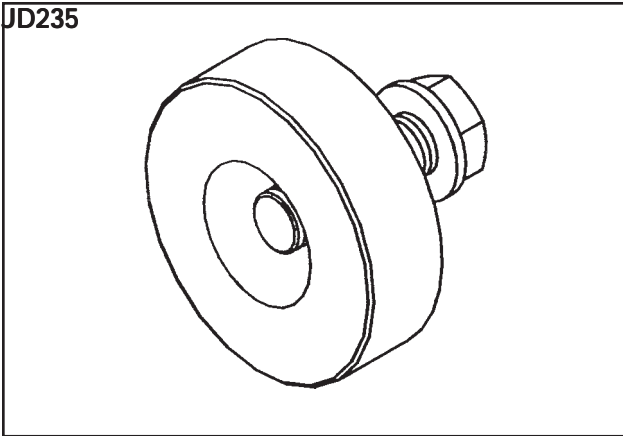
Fan nozzle air gun

JD234



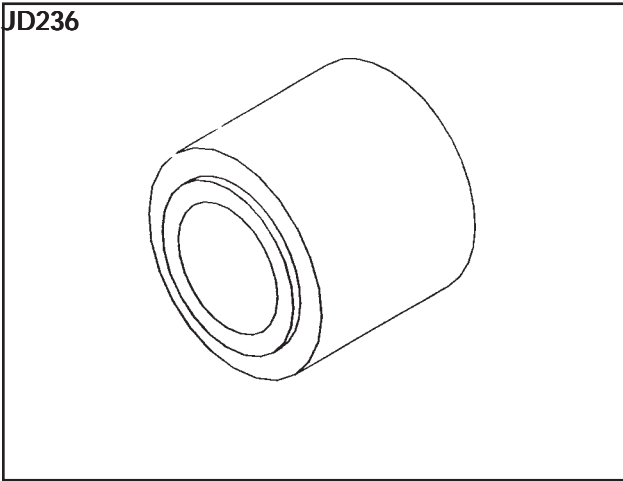
Crankshaft front oil seal remover

JD235



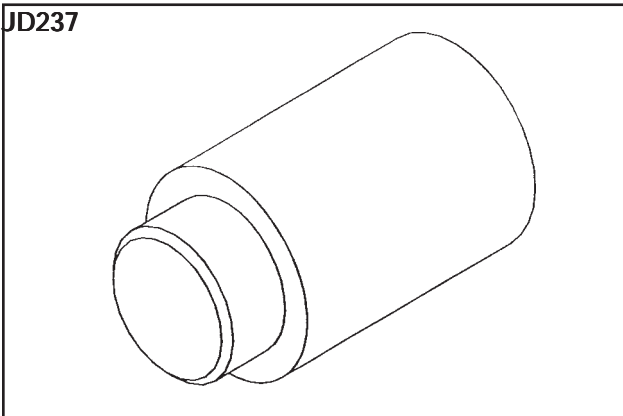
Crankshaft front oil seal installer

JD236



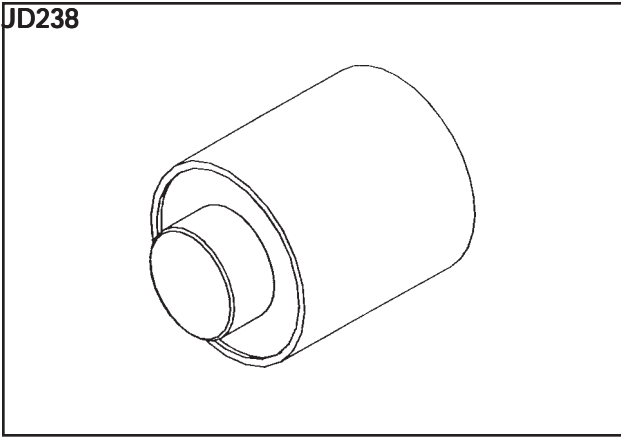
Front hub installer

JD237



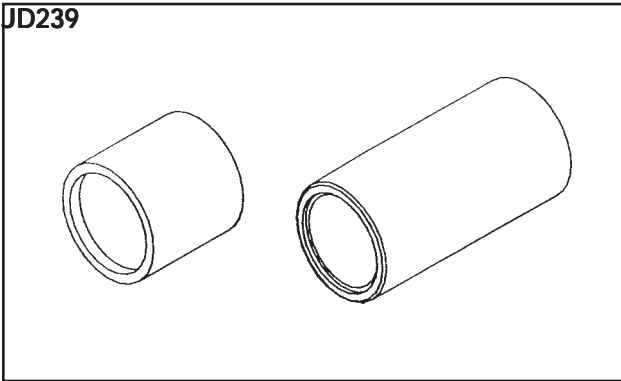
Front hub bearing remover

JD238



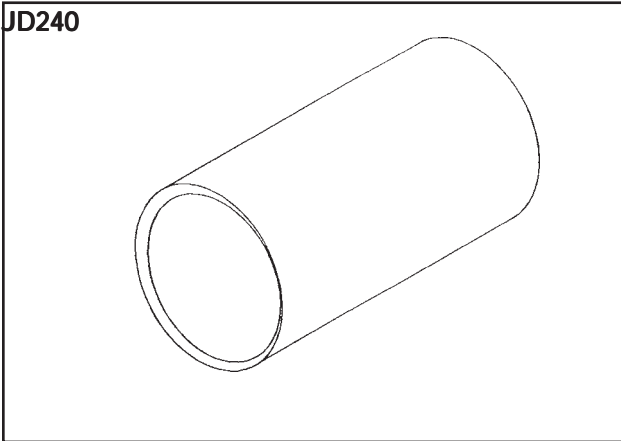
Front hub bearing installer

JD239



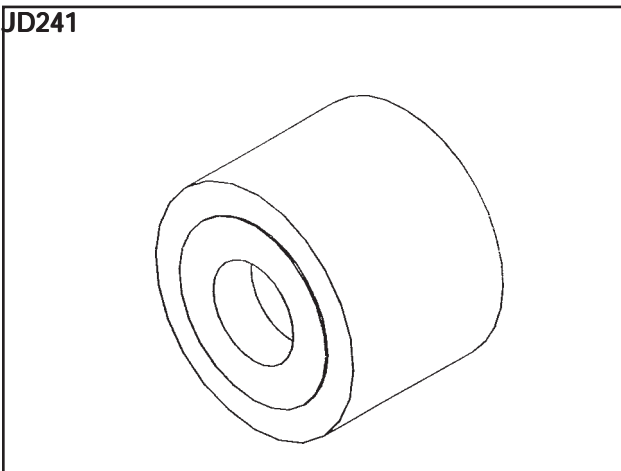
Upper wishbone ball joint installer

JD240



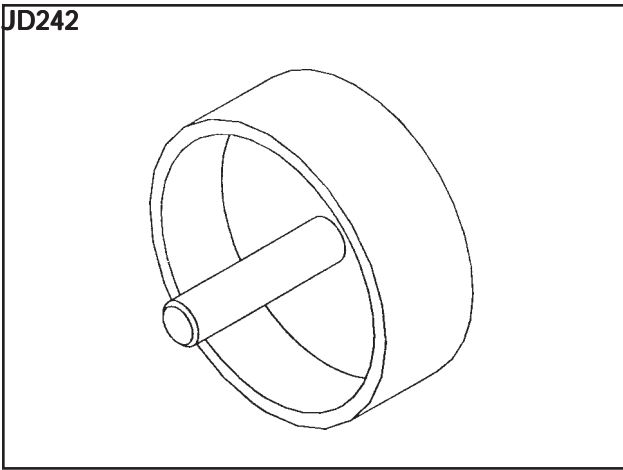
Upper wishbone ball joint remover

JD241



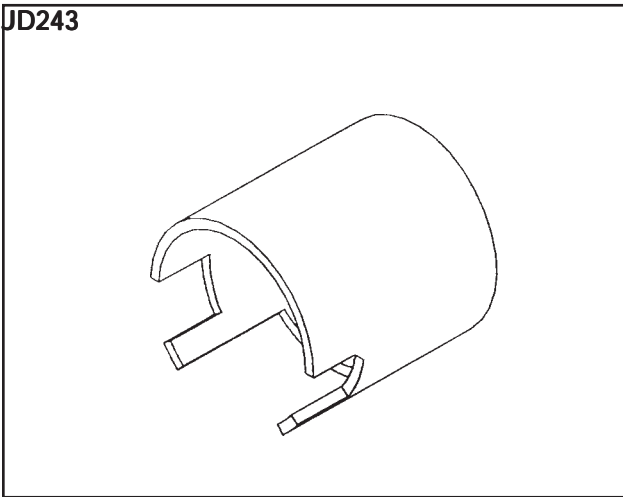
Monostrut bush remover

JD242



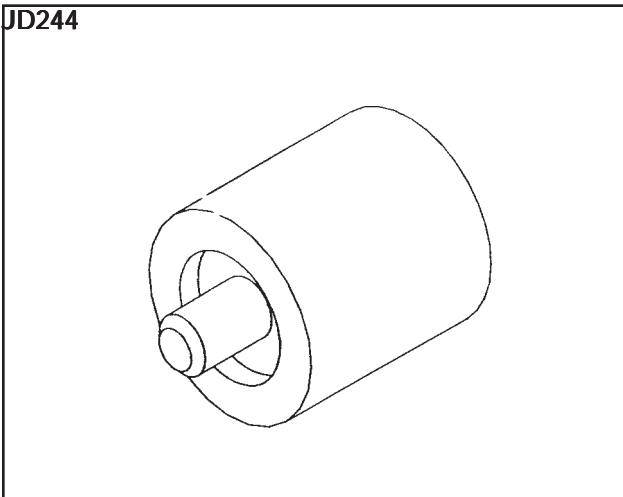
Front suspension crossbeam bush installer

JD243



Front suspension crossbeam bush remover

JD244



Lower wishbone bush remover