

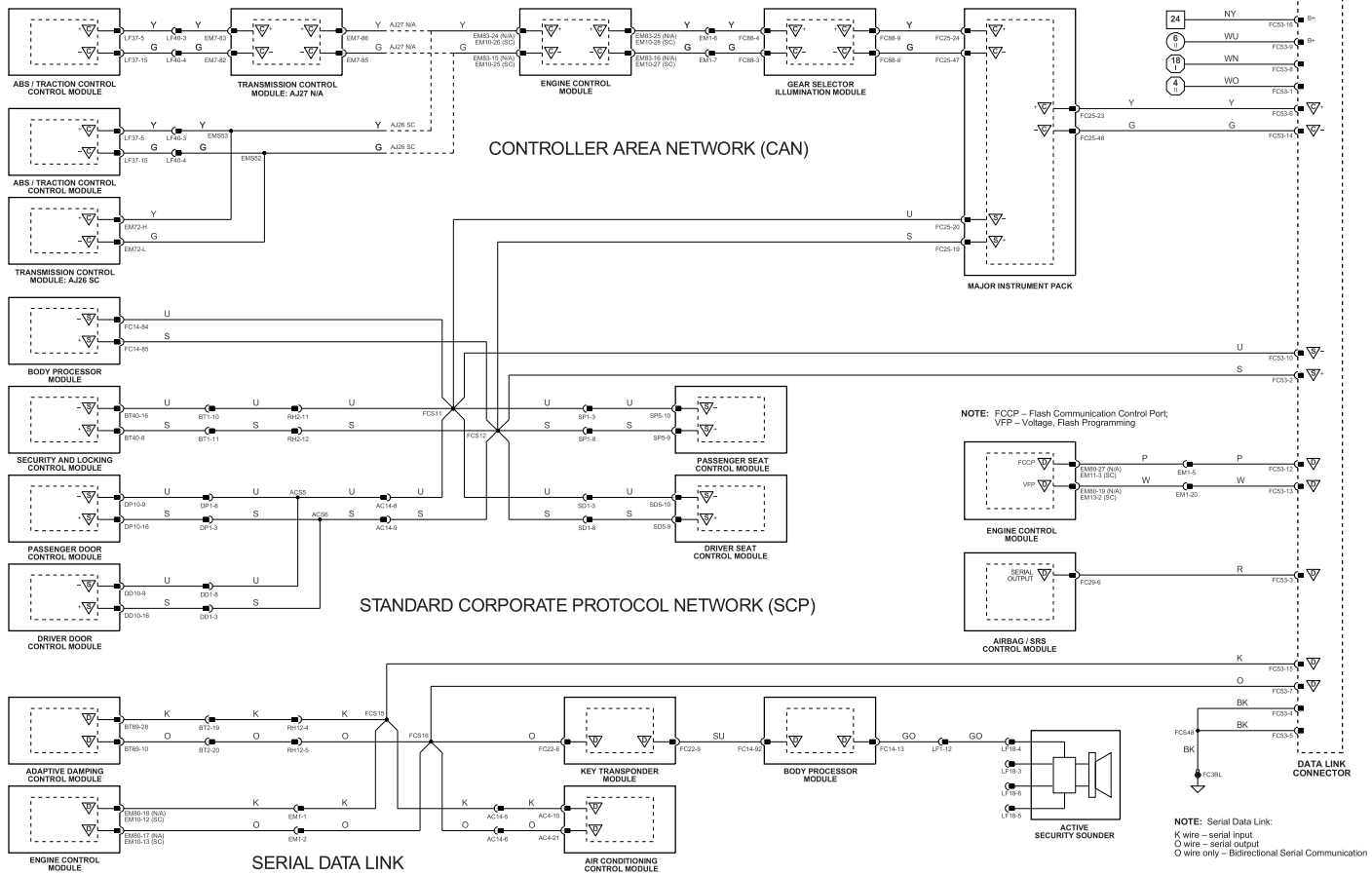


XK8 Range 1999

Networks; Serial Data Links

Networks; Serial Data Links

Fig. 19.1



NOTE: FCCP - Flash Communication Control Port; VFP - Voltage, Flash Programming

NOTE: Serial Data Link: K wire - serial input; O wire - serial output; U wire only - Bidirectional Serial Communication

	<p>Fig. 01.1</p> <p>Fig. 01.2</p> <p>Fig. 01.3</p> <p>Fig. 01.4</p> <p>Fig. 01.5</p> <p>Fig. 02.1</p>	<p>VARIANT: All Vehicles</p> <p>VIN RANGE: 031303 →</p> <p>DATE OF ISSUE: NOVEMBER 1998</p>
--	---	---