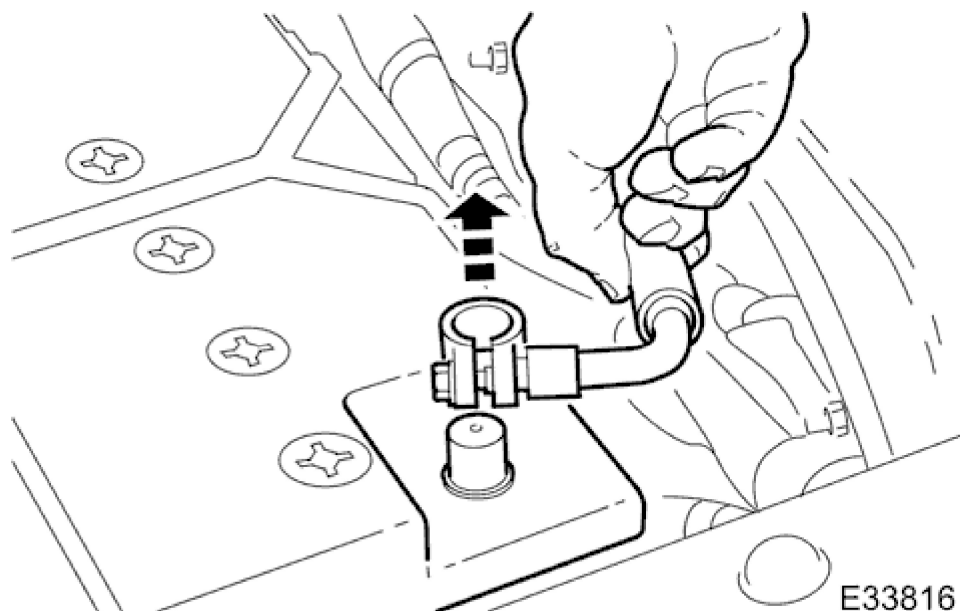


Tilt /Telescopic Motors 57.40.40

Removal

1. Remove the battery cover.

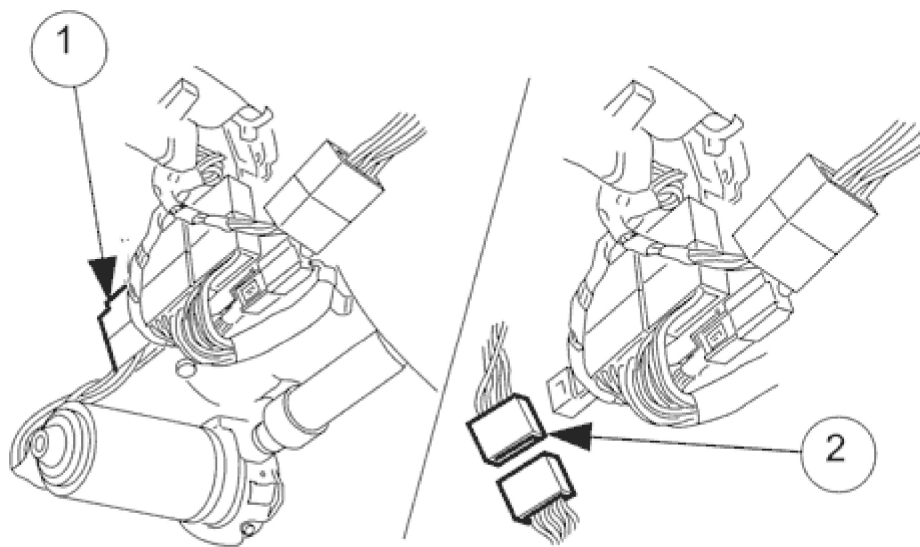


2.  **WARNING:**
WAIT AT LEAST ONE MINUTE BEFORE STARTING WORK, BECAUSE THE AIR BAG HAS A BACK-UP POWER SOURCE AND MAY BE INADVERTENTLY DEPLOYED.

Disconnect the battery ground cable.

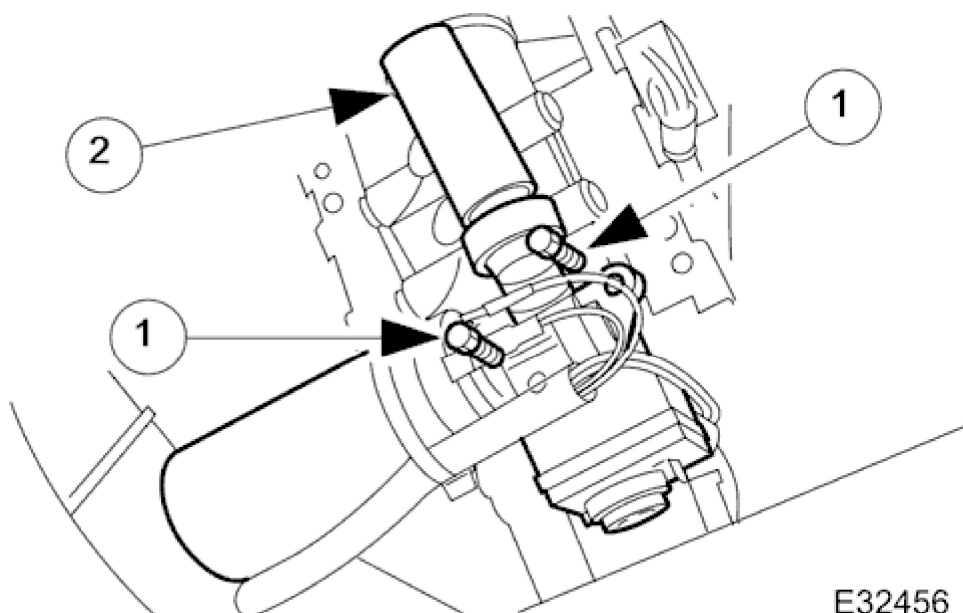
3. Remove the air bag module; refer to Section 501-20.
4. Remove the steering wheel; refer to this section.
5. Remove the underscuttle; refer to Section <<501-05>>.

1999 XK RANGE - Steering Column - 211-04



E35279

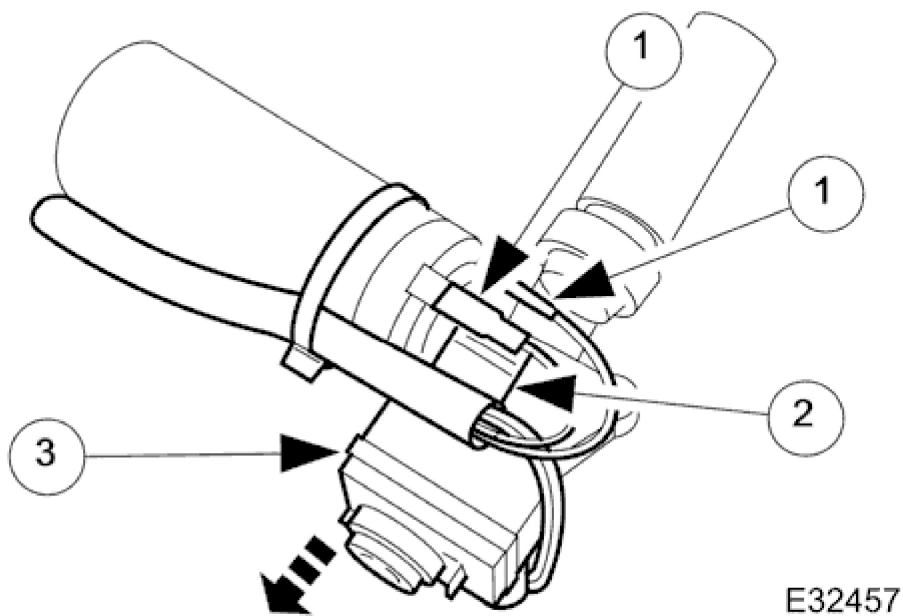
6. Disconnect the tilt motor potentiometer multiplug.
 1. Release the multiplug from the mounting bracket.
 2. Disconnect the multiplug.



E32456

7. Remove the tilt motor from the steering column.
 1. Unscrew the tilt motor securing bolts.
 2. Withdraw the tilt motor from the drive coupling.

8. Cut and remove the motor harness tie straps.



9. Remove the tilt motor potentiometer.
1. Identify and disconnect the motor harness multiplugs.
 2. Release the potentiometer securing tang.

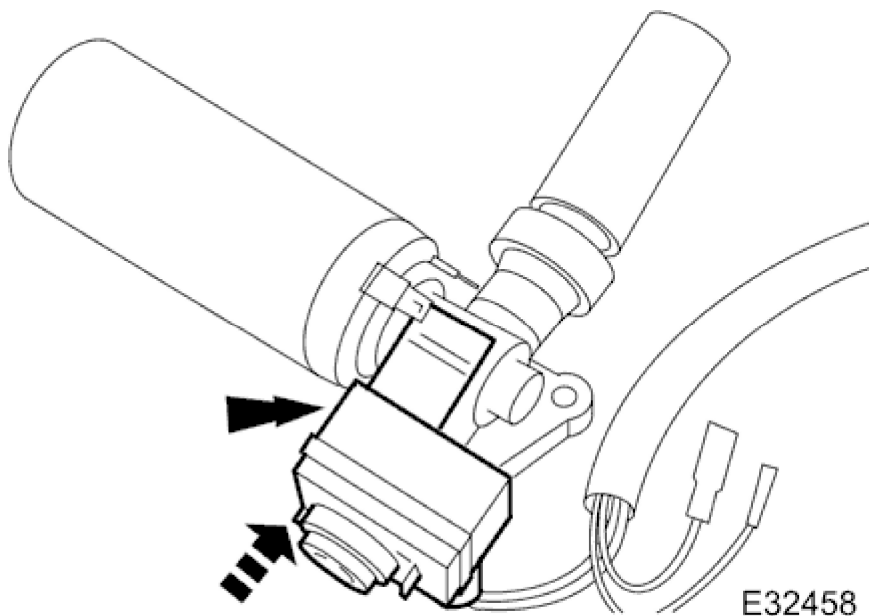


WARNING:

DO NOT ROTATE THE POTENTIOMETER SPINDLE AFTER REMOVAL FROM THE MOTOR UNIT.

3. Remove the potentiometer from the tilt motor.

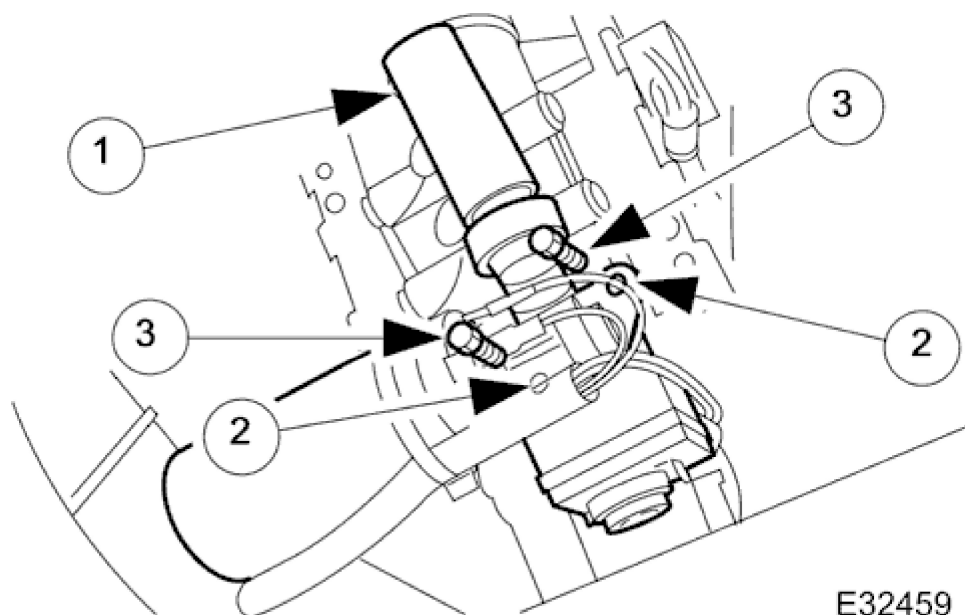
Installation



1. Install and align the potentiometer to the motor.
2. Connect the motor harness multiplugs.

1999 XK RANGE - Steering Column - 211-04

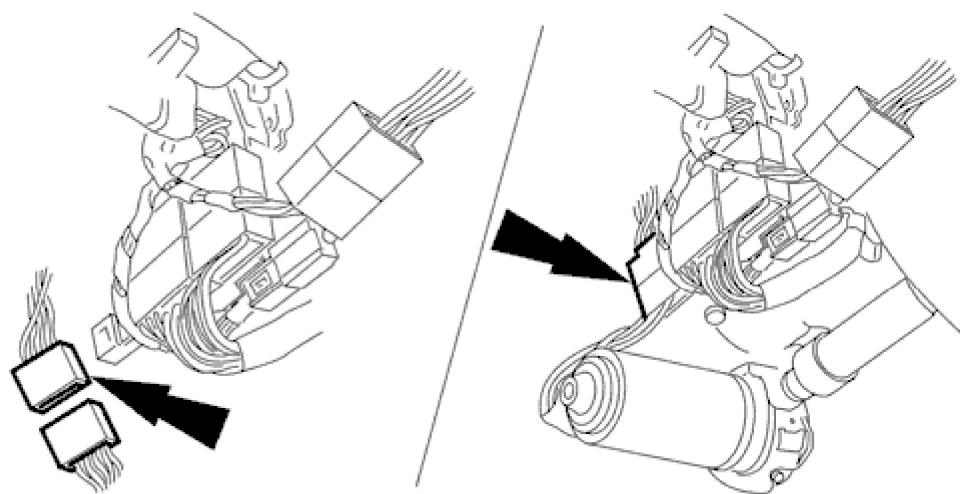
3. Install and tighten the harness tie straps.



E32459

4. Install the tilt motor to the steering column.

1. Align the motor to column drive coupling.
2. Align the motor securing bolt holes.
3. Install and tighten the motor assembly securing bolts to specification.



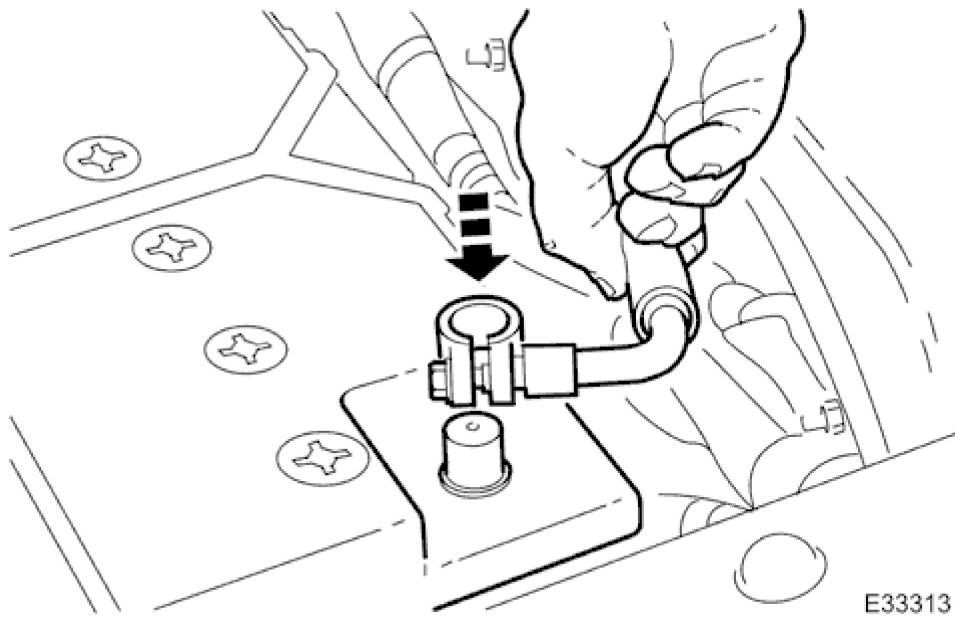
E35280

5. Connect the motor harness multiplug and install in mounting bracket.

6. Install the underscuttle; refer to Section <<501-05>>.

7. Install the steering wheel; refer to this section.

8. Install the air bag; refer to Section 501-20



E33313

9. Reconnect the battery ground cable.

10. Install the battery cover.